

barbecook®

MANUAL

EDSON

BC-CHA-1020

BC-CHA-1022

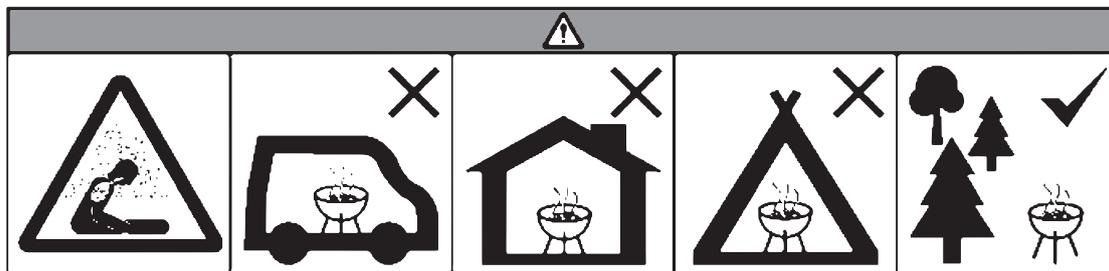
BC-CHA-1052

BC-CHA-1053

001

Register your Barbecook® on
www.barbecook.com
and enjoy the full Barbecook® experience!

THIS IS YOUR UNIQUE SERIAL N°



- [EN] Do not use the barbecue in a confined and/or habitable space e.g. houses, tents, caravans, motorhomes, boats. Danger of carbon monoxide poisoning fatality.
- [NL] Gebruik de barbecue niet in gesloten of bewoonbare ruimtes bv huizen, tenten, caravans, motorhomes, boten. Gevaar voor koolmonoxidevergiftiging.
- [FR] Ne pas utiliser le barbecue dans un espace confiné et/ou habitable par exemple des maisons, tentes, caravanes, camping-cars, bateaux. Risque de décès par empoisonnement au monoxyde de carbone.
- [DE] Betreiben Sie den Grill nicht in geschlossenen und/oder bewohnbaren Räumen, z.B. Gebäuden, Zelten, Wohnwagen, Wohnmobilen Booten. Es besteht Lebensgefahr durch Kohlenmonoxid Vergiftung.
- [ES] No use la barbacoa en un espacio cerrado y/o habitable, p.e. vivienda, tienda de campaña, caravana, autocaravana, embarcación. Peligro de envenenamiento mortal por monóxido de carbono.
- [IT] Non utilizzare il barbecue in uno spazio confinato e/o abitabile, per esempio in case, tende, caravan, case mobili, barche. Pericolo di morte per avvelenamento da monossido di carbonio.
- [PT] Não utilize o barbecue num espaço confinado e/ou habitável, por exemplo, dentro de casas, tendas, caravanas, autocaravanas, barcos. Perigo de morte por intoxicação por monóxido de carbono.
- [SE] Använd inte grillen i ett slutet eller bebott utrymme, t. ex. hus, tält, husvagn, husbil eller båt. Risk för dödsfall genom kolmonoxidförgiftning.
- [DK] Grillen må ikke bruges i et begrænset og/eller beboeligt rum, som fx et hus, telt, campingvogn, autocampere eller både. Fare for kulliteforgiftning.
- [FI] Älä käytä grilliä suljetussa ja tai asuutilassa, kuten taloissa, teltoissa, matkailuperävaunuissa, asuntoautoissa ja veneissä. Kuolemaan johtavan häikämyrkytyksen vaara.
- [NO] Ikke bruk grillen i et innestengt og/eller bebott rom, for eksempel hus, telt, campingvogn, bobil eller båt. Fare for karbonmonoksidforgiftning.
- [HU] Ne hasznája a grillsütőt zárt térben és/vagy beltéren, például házban, sátorban, lakókocsiban vagy hajón. Halálos szén-monoxid-mérgezés veszélye áll fenn.
- [RO] Nu utilizați grătarul de frigere în spații închise și/sau de locuit, de exemplu case, corturi, rulote, autorulote sau ambarcațiuni. Pericol de intoxicație letală cu monoxid de carbon.
- [CS] Nepoužívat rožně v uzavřeném prostoru a/nebo obytném prostoru, např. v domech, stanech, karavanech, lodích nebo jiném uzavřeném prostoru. Existuje nebezpečí otravy oxidem uhelnatým.
- [GR] Μην χρησιμοποιείτε το μπάρμπεκιου σε περιορισμένο ή/και κατοικήσιμο χώρο, π.χ. σπίτια, σκηνές, τροχόσπιτα, σκάφη. Υπάρχει θανάσιμος κίνδυνος δηλητηρίασης από μονοξείδιο του άνθρακα.
- [SK] Gril nepoužívajte v uzavretom a/alebo obytnom priestore, napríklad domy, stany, karavány, obytné automobily a člny. Nebezpečenstvo smrteľnej otravy kysličníkom uhoľnatým
- [ET] Ärge kasutage grilli kitsastes kohtades ja/või elamiseks kasutatavates ruumides, nt majad, telgid, karavanid, autoelamud, paadid. Vingugaasimürgituse oht.
- [LT] Nenaudokite kepsninės uždarose ir (arba) gyvenamosiose patalpose, pvz. namuose, palapinėse, furgonuose, namuose ant ratų, kateriuose. Pavojus mirtinai apsinuodyti anglies monoksidu.
- [LV] Nelietojiet grilu slēgtā un/vai apdzīvotā vietā, piemēram, mājā, teltī, treilerī, mājā uz riteniem, laivā. Pasātv letālas oglekļa monoksīda saindēšanās sekas.
- [PL] Nie należy używać grilla w miejscu o ograniczonej przestrzeni i/lub zamieszkałym, tj. w domach, namiotach, przyczepach kempingowych, samochodach kempingowych, łodziach. Grozi to zatruciem tlenkiem węgla.
- [BG] Барбекюто да не се използва на закрито и/или в обитаемо помещение, напр. къща, палатка, каравана, кемпер, лодка и др. Опасност от отравяне с въглероден оксид, причиняващо смърт.
- [SL] Žara ne uporabljajte v zaprtih in/ali bivalnih prostorih, kot so npr. hiše, šotori, bivalne prikolice, avtodomi, člni. Smrtno nevarno zaradi zastrupitve z ogljikovim monoksidom
- [HR] Roštilj nemojte upotrebljavati u skučenom i/ili stambenom prostoru, npr. u kućama, šatorima, karavanima, kamp kućicama, brodovima. Opasnost od kobnog trovanja ugljičnim monoksidom.

EN - User guide	5
NL - Gebruiksaanwijzing.....	9
FR - Mode d'emploi.....	13
DE - Bedienungsanleitung.....	17
ES - Guía del usuario.....	21
IT - Guida all'uso.....	25
PT - Manual do utilizador.....	29
SV - Bruksanvisning	33
DA - Brugervejledning.....	37
FI - Käyttöopas	41
NO - Brukerhåndbok	45
HU - Használati utasítás	49
RO - Ghid de utilizare	53
CZ - Uživatelská příručka	57
EL - Οδηγίες χρήσης	61
SK – Návod na používanie	65
ET – Kasutusjuhend	69
LT – Naudotojo vadovas.....	73
LV – Lietošanas pamācība	77
PL – Instrukcja użytkownika.....	81
BG - Ръководство за потребителя.....	85
SI – Priročnik za uporabo.....	89
HR - Korisnički priručnik	93
Illustrations	97

EN - USER GUIDE

1 REGISTER YOUR APPLIANCE

Thank you for purchasing a Barbecue appliance! A whole new world is waiting for you to explore, whether it be in the peace and quiet of nature or amidst the hustle and bustle of the city. Become a grill master in our #barbecue community and let us put your grill skills in the spotlight.

Register your Barbecue appliance online and get some major benefits:

- You get access to the full user manual and get to know every bit of your appliance.
- You benefit from a personalized after sales service, allowing you to quickly find spare parts and to profit from an optimal warranty service.
- We inform you about product updates and give you tips, tricks and grillspiration to bring out the grill master in you.

Ready for an adventure? Register your product and join the #barbecue community!

 For more information about registering your appliance, refer to www.barbecue.com.

 Barbecue respects your privacy. Your data will not be sold, distributed or shared with third parties.

2 ABOUT THIS MANUAL

This manual is composed of two parts. The first part is the one you are reading now. It includes instructions for the assembly, use and maintenance of your appliance. The second part starts on page 97. It includes all kinds of illustrations:

- Exploded views, parts lists and assembly drawings of the appliances described in this manual.
- Illustrations that support the most important instructions of the first part of the manual.

 If there is an illustration available for a particular instruction, you find a reference to that illustration in the instruction. These references are preceded by a pencil icon, like the one you see here on the left.

3 IMPORTANT SAFETY INSTRUCTIONS

Read the instructions before using the appliance. Always follow the instructions carefully. Assembling or using the appliance differently can cause fires and material damage.

 Damages caused by not following the instructions (improper assembly, misuse, inadequate maintenance...) are not covered by the warranty.

- Do not leave the appliance unattended when in use.
- **WARNING!** The appliance will become very hot, do not move it during operation.
- Use appropriate protection when handling hot parts.
- Keep flammable materials, flammable liquids and dissoluble objects away from an appliance in use.
- **WARNING!** Keep children and pets away!
- Keep a bucket of water or sand at hand when using the appliance, especially on very hot days and in dry areas.
- **WARNING!** Do not use indoors.

Use the appliance outdoors only. Using it indoors, even in a garage or shed, can cause carbon monoxide poisoning.

When selecting an outdoor location, always:

- Place the appliance at least three meters away from any building, in an open and well-ventilated area.
- Make sure the appliance is not under an overhanging structure (a porch, a shelter...) or under foliage.
- The barbecue has to be installed on a secure level base prior to use. Never put it on a moving vehicle (a boat, a trailer...).

4 RECURRENT CONCEPTS

This part includes definitions of some less familiar concepts. These concepts are used in several topics of the manual.

4.1 Enamel

Some parts of the appliance are covered in a layer of melted glass, called enamel. This enamel protects the underlying metal from corrosion. Enamel is a high-quality material: it is resistant to rust, does not fade under the influence of high temperatures and is very easy to maintain.

 Because the enamel is less flexible than the metal which it covers, pieces of enamel can chip off when you handle the appliance incorrectly. To avoid problems, be careful when assembling enamelled parts and always maintain the enamel as described further in this manual.

5 ASSEMBLING THE APPLIANCE

5.1 Safety instructions

- Do not modify the appliance when assembling it. It is very dangerous and not allowed to alter parts of the appliance.
- Always follow the assembly instructions carefully.
- The user is responsible for the correct assembly of the appliance. Damages caused by improper assembly are not covered by the warranty.

5.2 To assemble the appliance

Assemble the appliance as shown on the assembly drawings.

 You find the assembly drawings in the second part of this manual, after the exploded view of your appliance.

 You do not need any special tools to assemble the appliance. The tool for tightening the screws is supplied with the appliance.

5.3 Before each use

Put the appliance on a stable, level and clean base and make sure that the bottom of the barrel doesn't make contact with the ground. The rubber feet that come with the barbecue have an isolating function.

6 GETTING THE APPLIANCE READY FOR USE

You need charcoal, firelighters (complying with EN 1860-3) and a long match.

6.1 Which charcoal should I use?

Always light your appliance with traditional charcoal, never with briquettes. Once the appliance is lit, you can add briquettes.

Use good quality charcoal to light the appliance, preferably complying with EN 1860-2. Good quality charcoal is composed of large, shiny bricks and does not give off much dust.

 Close your bag of charcoal properly before storing it. Always store it in a dry place, do not store it in a cellar

 Max 50% (max.1,2kg) of the bowl can be filled with charcoal. Overfilling the bowl can seriously damage your barbecue due to extensive heat.

6.2 Lighting the appliance

 The main steps of this task are illustrated in Figure 2 and 3, on page 100.

- 1 Put some firelighters on the bottom of the bowl (Fig. 2a). Always use firelighters that comply with EN 1860-3.
- 2 Cover the firelighters with charcoal (Fig. 2b). Tips:
 - Do not use too much charcoal. The bowl should only be filled one third.
 - Make sure you can still reach the firelighters.
 - Use small pieces of charcoal to light the appliance. You can add larger bricks afterwards.
- 3 Take a long match and light the firelighters (Fig. 2c).

 The barbecue shall be heated up and the fuel kept red for at least 30 minutes prior to first cooking. This removes any remaining manufacturing greases from the appliance.

 Do not put the grill on the appliance yet. An empty grill can deform when held in the heat for too long.

 **WARNING!** Do not use spirit or petrol for lighting or re-lighting! Use only firelighters complying to EN 1860-3!

 **WARNING!** You can only start cooking once the fuel (charcoal) has a coating of ash. Normally, this takes about 15 minutes (Fig. 2d)
Put the grill on the appliance, with its supports on the hooks of the charcoal bowl. Always put the grill in this position when you use the appliance.

 When you want to store the appliance, put the supports of the grill next to the hooks of the charcoal bowl (Fig. 3, on page 100). When the grill is in this lower position, you can put the cover on the appliance. See also “8.3 Storing the appliance”.

 You can also light the charcoal in the Barbecue charcoal starter. When the charcoal is ready, just pour it from the charcoal starter into the bowl of the appliance (Fig. 1, page 100).

 This is a charcoal barbecue, burning wood (both in the barrel and in the charcoal bowl) can damage the barbecue.

7 USEFUL TIPS AND TRICKS

7.1 Preventing food from burning

To prevent your food from burning, never start grilling when there still are flames in the bowl. Wait until the charcoal is covered with a thin layer of white ashes.

7.2 Preventing food from sticking

To prevent your food from sticking to the grill:

- Oil the food lightly with a brush before you put it on the grill. You can also oil the grill itself.
- Do not turn the food too quickly. Let it catch some heat first.

7.3 Avoiding flare-ups

Flare-ups are sudden flames that spark from the bowl when you are grilling. They are usually caused by dripping fat or marinade.

During grilling, some flare-ups are normal. Too many flare-ups, however, increase the temperature in the bowl and can ignite accumulated fat. To avoid flare-ups:

- Make sure the bowl is clean before you start grilling. We recommend cleaning the bowl after each use.
- Remove excess fat and marinade from the meat. You can also use a grill pan for fatty and/or marinated meat.

8 MAINTAINING THE APPLIANCE

8.1 Cleaning the bowl

 The main steps of this task are illustrated in Figure 4, on page 101.

We recommend cleaning the bowl after each use. With the ash container, this is done in no time. Proceed as follows:

- 1 Let the appliance cool down completely and remove the grill.
- 2 Remove the bottom grid from the bowl and brush the ashes into the ash container (Fig. 4a).
- 3 Lift the ash container from the bowl (Fig. 4b) and pour the ashes into a bucket (Fig. 4c).
- 4 Put the ash container and the bottom grid back in the bowl.
- 5 Put the grill back on the appliance (in the lowest position) and put the cover on the appliance (Fig. 4d).

8.2 Cleaning the grill

We recommend cleaning the grill after each use, with a  Barbecue cleaner.

 You can also clean the grill with a soft detergent or with  sodium bicarbonate. Never use oven cleaners on the grill.

8.3 Storing the appliance

Store the appliance after each use. Proceed as follows:

- 1 Clean the bowl and the grill. See “8.1 Cleaning the bowl” and “8.2 Cleaning the grill”
- 2 Put the grill back on the appliance, in the lowest position.
- 3 Put the cover on the appliance.
- 4 Store the appliance in a dry place (indoors, under a shelter...).

8.4 Limiting the formation of rust

The upper ring of the barrel has the tendency to rust a little. To slow this process down, you can oil the ring with sun flower oil.

 The rust does not harm the barrel. If you like a sturdy look, do not bother oiling the barrel.

8.5 Maintaining enamel, stainless steel, chrome and powder coated parts

The appliance is composed of enamelled, stainless steel, chromed and powder coated parts. Each material has to be maintained differently:

Material	How to maintain this material
Enamel	<ul style="list-style-type: none">Do not use sharp objects and do not knock against a hard surface.Avoid contact with cold liquids while still hot.You can use metal sponges and abrasive detergents.
Stainless steel and chrome	<ul style="list-style-type: none">Do not use aggressive, abrasive or metal detergents.Use soft detergents and let them act on the steel.Use a soft sponge or cloth.Rinse thoroughly after cleaning and dry well before storing.
Powder coated	<ul style="list-style-type: none">Do not use sharp objects. Use soft detergents and a soft sponge or cloth.Rinse thoroughly after cleaning and dry well before storing.

 Damages caused by not following these instructions are regarded as inadequate maintenance and are not covered by the warranty.

Below the exploded view of your appliance (second part of the manual), you find a list with all parts of which the appliance is composed. This list includes a symbol that specifies the material of each part, so you can use it to check how you have to maintain a particular part. The parts list uses the following symbols:

Symbol	Material
●	Enamel
▲	Chrome
■	Stainless steel
★	Powder coated

8.6 Ordering spare parts

Parts that are directly exposed to fire or intense heat have to be replaced from time to time. To order a spare part:

- 1 Look up the reference number of the part you need. You find a list of all reference numbers below the exploded views in the second part of this manual and on www.barbecook.com.

 If you registered your appliance online, you will automatically be guided to the correct list in your MyBarbecook account. There you have the possibility to order your parts online.

- 2 Order the spare part via www.barbecook.com or at your point of sale. Parts under warranty can only be ordered at your point of sale.

9 WARRANTY

9.1 Covered

Your appliance comes with a warranty of two years, starting from the date of purchase. This warranty covers all manufacturing defects, provided that:

- You used, assembled and maintained your appliance according to the instructions in this manual. Damages caused by misuse, incorrect assembly or inadequate maintenance are not regarded as manufacturing defects.
- You can present the receipt of your appliance.
- The Barbecook quality department confirms that the parts are defective and that they proved defective under normal use, correct assembly and adequate maintenance.

If one of the above conditions is not met, you cannot claim any form of contribution. In all cases, the warranty is limited to the repair or replacement of the defective part(s).

9.2 Not covered

The following damages and defects are not covered by the warranty:

- Normal wear and tear (rusting, distortion, discolouration...) of parts that are directly exposed to fire or intense heat. It is normal to replace these parts from time to time.
- Visual irregularities that are inherent to the manufacturing process. These irregularities are not regarded as manufacturing defects.
- All damages caused by inadequate maintenance, incorrect storage, improper assembly or modifications made to pre-assembled parts.
- All damages caused by misuse and abuse of the appliance (not using it according to the instructions in this manual, using it for commercial purposes...).
- All consequential damages caused by careless or non-compliant use of the appliance.
- Rust or discolouration caused by external influences, the use of aggressive detergents, exposure to chlorine... These damages are not regarded as manufacturing defects.

NL - GEBRUIKSAANWIJZING

1 UW TOESTEL REGISTREREN

Bedankt voor uw aankoop van een Barbecook-toestel! Er wacht u een hele nieuwe wereld om te ontdekken, of dat nu in de rust van de natuur of in de gonzende stad is. Word een grillmaster in onze #barbecue community en laat ons uw grillvaardigheden in de schijnwerpers zetten.

Registreer uw Barbecook-toestel online en geniet van enkele fantastische voordelen:

- U krijgt toegang tot de volledige gebruikershandleiding zodat u uw toestel tot in het kleinste onderdeelje leert kennen.
- U krijgt van een gepersonaliseerde naverkoopservice, waardoor u snel reserveonderdelen kunt vinden en geniet van een optimale garantieservice.
- We informeren u over productupdates en geven u tips, tricks en grillspiratie om de grillmaster in u naar boven te halen.

Klaar voor een avontuur? Registreer uw toestel en word lid van de #barbecue community!



Voor meer informatie over het registreren van uw toestel gaat u naar www.barbecue.com.



Barbecue respecteert uw privacy. Uw gegevens worden niet verkocht, verspreid of doorgegeven aan derden.

2 OVER DEZE HANDLEIDING

Deze handleiding bestaat uit twee delen. Het eerste deel is het deel dat u momenteel leest. Hier vindt u instructies om uw toestel te monteren, te gebruiken en te onderhouden. Het tweede deel begint op pagina 97. Daarin vindt u diverse illustraties:

- Explosietekeningen, onderdelenlijsten en montagetekeningen van het toestels die in deze handleiding beschreven zijn.
- Illustraties bij de belangrijkste instructies uit het eerste deel van de handleiding.



Als er voor een bepaalde instructie een illustratie bestaat, wordt naar die illustratie verwezen in de instructie. Deze verwijzingen worden voorafgegaan door een pictogram van een potlood, zoals links aangegeven.

3 BELANGRIJKE VEILIGHEIDINSTRUCTIES

Lees de instructies voor u het toestel in gebruik neemt. Volg de instructies altijd zorgvuldig. Als het toestel op een andere wijze wordt gemonteerd of gebruikt, kan dit brand en materiële schade tot gevolg hebben.



Schade wegens het niet opvolgen van de instructies (verkeerde montage, misbruik, verkeerd onderhoud enz.) wordt niet gedekt onder de garantie.

- Laat het toestel niet alleen achter terwijl deze in gebruik is.
- **WAARSCHUWING!** Deze barbecue wordt erg heet, niet verplaatsen tijdens het gebruik.
- Gebruik geschikte bescherming wanneer u hete onderdelen moet vastnemen.
- Houd brandbare materialen, brandbare vloeistoffen en oplosbare objecten op een veilige afstand van het toestel wanneer deze in gebruik is.
- **WAARSCHUWING!** Houdt kinderen en huisdieren uit de buurt van de barbecue.
- Houd een emmer water of zand bij de hand wanneer u het toestel gebruikt, met name op zeer warme dagen en in droge omgevingen.
- Niet binnenshuis gebruiken!

Gebruik het toestel alleen buitenshuis. Als u het toestel binnenshuis gebruikt, zelfs in een garage of schuur, bestaat er gevaar voor vergiftiging door koolmonoxide.

Let op het volgende wanneer u een locatie kiest:

- Plaats het toestel op minstens drie meter van een gebouw, op een open en goed geventileerde plaats.
- Plaats het toestel niet onder een overhangende structuur (veranda, afdak ...) of onder gebladerte.
- Plaats het toestel op een stevige en stabiele ondergrond. Plaats het toestel nooit op een bewegend voertuig (boot, oplegger ...).

4 TERUGKERENDE CONCEPTEN

Dit deel omvat definities van een aantal minder vertrouwde concepten. Deze concepten worden gebruikt in verschillende onderwerpen van de handleiding.

4.1 Email

Sommige delen van het toestel zijn bekleed met een laag gesmolten glas, zogenaamd email. Dit email beschermt het onderliggende metaal tegen corrosie. Email is een kwaliteitsvol materiaal: het is bestand tegen roest, het verzwakt niet onder invloed van hoge temperaturen en het is zeer eenvoudig te onderhouden.



Omdat het email minder flexibel is dan het metaal waarop het is aangebracht, kunnen stukjes email loskomen wanneer u het toestel niet correct gebruikt. Om problemen te vermijden, dient u voorzichtig te zijn wanneer u geëmailleerde onderdelen monteert en dient u het email altijd te onderhouden zoals beschreven in deze handleiding.

5 HET TOESTEL MONTEREN

5.1 Veiligheidsinstructies

- Breng geen wijzigingen aan het toestel aan wanneer u deze in elkaar zet. U mag geen onderdelen van het toestel wijzigen, want dit is zeer gevaarlijk.
- Volg de montage-instructies altijd zorgvuldig.
- De gebruiker is verantwoordelijk voor de correcte montage van het toestel. Schade veroorzaakt door een foutieve montage wordt niet gedekt door de garantie.

5.2 Het toestel monteren

Monteer het toestel zoals aangegeven in de montagetekeningen.



U vindt de montagetekeningen in het tweede deel van deze handleiding, na de explosietekening van uw toestel.



U heeft geen speciaal gereedschap nodig om het toestel in elkaar te zetten. Het gereedschap om de schroeven aan te draaien, is bij het toestel geleverd.

5.3 Voor elk gebruik

Plaats het toestel op een effen, stabiele en schone ondergrond waarbij de onderkant van de ton geen contact met de ondergrond mag maken. De bijgeleverde rubberen pootjes hebben een isolerende functie.

6 HET TOESTEL KLAARMAKEN VOOR GEBRUIK

U hebt houtskool, aanmaakproducten (die voldoen aan EN 1860-3) en een lange lucifer nodig.

6.1 Welke houtskool moet ik gebruiken?

Maak uw toestel altijd aan met klassieke houtskool, nooit met briketten. Als het toestel aangemaakt is, kunt u briketten toevoegen.

Gebruik houtskool van goede kwaliteit om het toestel aan te maken, bij voorkeur houtskool die voldoet aan EN 1860-2. Houtskool van goede kwaliteit bestaat uit grote, glanzende stukken en produceert niet veel stof.

 Sluit de zak houtskool goed voor u deze opbergt. Bewaar de houtskool altijd op een droge plaats; bewaar de houtskool niet in een kelder.

 Max 50% (max 1,2kg) van de kuip met houtskool vullen. De kuip overvullen kan uw barbecue ernstig beschadigen door de extreme warmte.

6.2 Het toestel aanmaken

 De belangrijkste stappen van deze taak zijn geïllustreerd op afbeelding 2 en 3 op pagina 100.

- 1 Plaats enkele aanmaakproducten op de bodem van de kuip (afb. 2a). Gebruik altijd aanmaakproducten die voldoen aan EN 1860-3.
- 2 Bedek de aanmaakproducten met houtskool (afb. 2b). Tips:
 - Gebruik niet te veel houtskool. De kuip mag slechts voor een derde gevuld zijn.
 - Zorg ervoor dat u nog bij de aanmaakproducten kunt komen.
 - Gebruik kleine stukken houtskool om het toestel aan te maken. U kunt later grotere stukken toevoegen.
- 3 Gebruik een lange lucifer om de aanmaakproducten aan te steken (afb. 2c).

 Wanneer u het toestel voor het eerst gebruikt, dient u het 30 minuten te laten branden. Daardoor worden resterende fabricagevetten uit het toestel verwijderd.

 Plaats het rooster nog niet op het toestel. Een leeg rooster kan vervormd raken wanneer het te lang in de hitte wordt gehouden.

 **WAARSCHUWING!** Gebruik geen spiritus, benzine of andere brandbare vloeistoffen om aan te steken of te herontsteken! Gebruik alleen ontstekers die voldoen aan de EN 1860-3!

 **WAARSCHUWING!** Je kan pas beginnen met het barbecueën nadat zich op de kooltjes een laagje as heeft gevormd. Dit duurt normaal ongeveer 15 min (afb. 2d).

 **WAARSCHUWING!** Plaats het rooster op het toestel, met de steunen op de haken van de houtskoolkuip. Plaats het rooster altijd in deze positie wanneer u het toestel gebruikt.

 Wanneer u het toestel wilt opbergen, plaatst u de steunen van het rooster naast de haken van de houtskoolkuip (afb. 3, op pagina 100). Wanneer het rooster zich in deze onderste positie bevindt, kunt u het deksel op het toestel plaatsen. Zie ook "8.3 Het toestel opbergen".

 U kunt de houtskool ook ontsteken in de Barbecue houtskoolstarter. Wanneer de houtskool klaar is, giet u ze gewoon uit de houtskoolstarter in de kuip van het toestel (afb. 1, pagina 100).

 Dit is een houtskool barbecue, het branden van hout (zowel in de ton als in de houtskoolkuip kan de barbecue beschadigen).

7 HANDIGE TIPS

7.1 Voorkomen dat voedsel aanbrandt

Om te voorkomen dat uw voedsel aanbrandt, mag u nooit beginnen grillen wanneer er nog vlammen in de kuip voorkomen. Wacht tot de houtskool bedekt is met een dun laagje witte as.

7.2 Voorkomen dat voedsel aankleeft

Houd rekening met het volgende om te voorkomen dat voedsel aan het rooster kleeft:

- Smeer met behulp van een borstel wat olie op het voedsel voor u het op het rooster plaatst. U kunt ook het rooster zelf insmeren.
- Draai het voedsel niet te snel om. Laat het eerst goed warm worden.

7.3 Opflakkingen vermijden

Opflakkingen zijn vlammen die plots uit de kuip springen tijdens het grillen. Ze worden meestal veroorzaakt door druipend vet of druipende marinade.

Tijdens het grillen kunnen er opflakkingen voorkomen. Dit is normaal. Te veel opflakkingen verhogen echter de temperatuur in de kuip en kunnen opgehoopt vet doen ontbranden.

Opflakkingen vermijden:

- Zorg ervoor dat de kuip schoon is voor u begint te grillen. Het is aan te bevelen de kuip na elk gebruik te reinigen.
- Verwijder overtollig vet en overtollige marinade van het vlees. U kunt ook een grillpan gebruiken voor vet en/of gemarineerd vlees.

8 HET TOESTEL ONDERHOUDEN

8.1 De kuip reinigen

 De belangrijkste stappen van deze taak zijn geïllustreerd op afbeelding 4 op pagina 101.

Het is aan te bevelen de kuip na elk gebruik te reinigen. Met het asreservoir gebeurt dit bliksemsnel. Ga als volgt te werk:

- 1 Laat het toestel volledig afkoelen en verwijder het rooster.
- 2 Verwijder het onderste rooster uit de kuip en borstel de as in de buis (afb. 4a).
- 3 Neem het asreservoir uit de kuip (afb. 4b) en giet de as in een emmer (afb. 4c).
- 4 Plaats het asreservoir en het onderste rooster weer in de kuip.
- 5 Plaats het rooster weer op het toestel (in de onderste positie) en plaats de hoes op het toestel (afb. 4d).

8.2 Het rooster reinigen

Het is aan te bevelen het rooster na elk gebruik te reinigen met een Barbecue cleaner.

 U kunt het rooster ook reinigen met een zacht reinigingsmiddel of met natriumbicarbonaat. Gebruik nooit ovenreinigers om het rooster te reinigen.

8.3 Het toestel opbergen

Berg het toestel na elk gebruik op. Ga als volgt te werk:

- 1 Reinig de kuip en het rooster. Zie “8.1 De kuip reinigen” en “8.2 Het rooster reinigen”
- 2 Plaats het rooster weer in de laagste positie op het toestel.
- 3 Plaats het deksel op het toestel.
- 4 Berg het toestel op in een droge plaats (binnen, onder een afdak ...).

8.4 Roestvorming beperken

De bovenste ring van de ton neigt tot lichte roestvorming. Om dit proces te vertragen, kunt u de ring insmeren met zonnebloemolie.

 Het roest beschadigt de ton niet. Als u een robuuste look wenst, hoeft u de ton niet met olie in te smeren.

8.5 Geëmailleerde, roestvaststalen, verchromde en gepoederlakte onderdelen onderhouden

Het toestel bestaat uit geëmailleerde, roestvaststalen, verchromde en gepoederlakte onderdelen. Elk materiaal moet op een specifieke wijze worden onderhouden:

Materiaal	Onderhoud van dit materiaal
Email	<ul style="list-style-type: none">• Gebruik geen scherpe voorwerpen en stoot het toestel niet tegen een hard oppervlak.• Vermijd contact met koude vloeistoffen terwijl het toestel nog heet is.• Metalen sponsjes en schurende reinigingsmiddelen kunnen worden gebruikt.
Roestvast staal en chroom	<ul style="list-style-type: none">• Gebruik geen agressieve, schurende of metaalreinigingsmiddelen.• Gebruik niet-agressieve reinigingsmiddelen en laat ze inwerken op het staal.• Gebruik een zachte spons of doek.• Spoel het toestel na het reinigen grondig en laat het toestel zeer goed drogen voor u deze opbergt.
Gepoederlakt	<ul style="list-style-type: none">• Gebruik geen scherpe voorwerpen. Gebruik niet-agressieve reinigingsmiddelen en een zachte spons of doek.• Spoel het toestel na het reinigen grondig en laat het toestel zeer goed drogen voor u deze opbergt.

 Schade wegens het niet opvolgen van deze instructies wordt beschouwd als gebrekkig onderhoud en is niet gedekt door de garantie.

Onder de explosietekening van uw toestel (tweede deel van de handleiding) vindt u een lijst van alle onderdelen waaruit het toestel is samengesteld. Deze lijst omvat een symbool dat het materiaal van elk onderdeel aangeeft, zodat u kunt nagaan hoe u een bepaald onderdeel dient te onderhouden. In de onderdelenlijst worden de volgende symbolen gebruikt:

Symbool	Materiaal
●	Email
▲	Chroom

Symbool	Materiaal
■	Roestvast staal
★	Gepoederlakt

8.6 Reserveonderdelen bestellen

Onderdelen die blootstaan aan vuur of intense hitte moeten van tijd tot tijd worden vervangen. Reserveonderdelen bestellen:

- 1 Zoek het referentienummer op van het gewenste onderdeel. U vindt een lijst met alle referentienummers onder de explosietekeningen in het tweede deel van deze handleiding en op www.barbecook.com.



Als u uw toestel online hebt geregistreerd, verschijnt automatisch de correcte lijst in uw MyBarbecook account. U hebt daar de mogelijkheid om wisselstukken online te bestellen

- 2 Bestel het reserveonderdeel via www.barbecook.com of bij uw verkoper. Onderdelen onder garantie kunnen enkel via uw verkoper besteld worden.

9 GARANTIE

9.1 Gedekt

Uw toestel heeft een garantie van twee jaar vanaf de aankoopdatum. Deze garantie dekt alle fabricagefouten op voorwaarde dat:

- u uw toestel hebt gebruikt, gemonteerd en onderhouden overeenkomstig de instructies in deze handleiding. Schade ten gevolge van misbruik, verkeerde montage of foutief onderhoud wordt niet als een fabricagefout beschouwd.
- u het aankoopbewijs van uw toestel kunt overhandigen.
- De Barbecook-kwaliteitsafdeling gaat na of de onderdelen defect zijn en of het defect zich heeft voorgedaan bij normaal gebruik, correcte montage en juist onderhoud.

Als aan een van deze voorwaarden niet is voldaan, kunt u niet van de garantie genieten. In elk geval blijft de garantie beperkt tot het herstellen of vervangen van de defecte onderdelen.

9.2 Niet gedekt

De volgende schade en gebreken worden niet door de garantie gedekt:

- Normale slijtage (roestvorming, vervorming, verkleuring enz.) van onderdelen die rechtstreeks blootstaan aan vuur of intense hitte. Deze onderdelen moeten van tijd tot tijd worden vervangen.
- Visuele onregelmatigheden die inherent zijn aan het fabricageproces. Deze onregelmatigheden worden niet als fabricagefouten beschouwd.
- Alle schade veroorzaakt door gebrekkig onderhoud, foutieve opberging, verkeerde montage of wijzigingen aan voorgemonteerde onderdelen.
- Alle schade ten gevolge van misbruik van het toestel (niet gebruikt volgens de instructies in deze handleiding, gebruikt voor commerciële doeleinden enz.).
- Alle gevolgschade wegens nalatigheid of niet-voorgeschreven gebruik van het toestel.
- Roest of verkleuring ten gevolge van externe invloeden, gebruik van agressieve reinigingsmiddelen, blootstelling aan chloor enz. Deze schade wordt niet als een fabricagefout beschouwd.

FR - MODE D'EMPLOI

1 ENREGISTREMENT DE VOTRE APPAREIL

Merci d'avoir acheté cet appareil Barbecue ! Un monde nouveau vous attend, à explorer dans le calme et la quiétude de la nature ou parmi l'animation et l'agitation de la ville. Devenez un maître du grill de notre communauté #barbecue et mettez vos compétences en grillades sous les projecteurs.

Enregistrez votre appareil Barbecue en ligne et profitez d'avantages exceptionnels :

- L'accès à l'intégralité du mode d'emploi et à la connaissance de chaque pièce de votre appareil.
- Un service après-vente personnalisé qui vous permettra de trouver rapidement des pièces de rechange et de bénéficier d'un service de garantie optimum.
- La notification des mises à jour du produit, de conseils, d'astuces et d'inspirations grillades pour révéler le maître du grill qui est en vous.

Prêt(e) pour l'aventure ? Enregistrez votre produit et rejoignez la communauté #barbecue !



Pour plus d'information sur l'enregistrement de votre appareil, consultez le site www.barbecue.com.



Barbecue respecte votre vie privée. Vos données ne seront ni vendues, ni distribuées ni partagées avec une tierce partie.

2 À PROPOS DE CE MODE D'EMPLOI

Ce mode d'emploi se compose de deux parties. La première partie correspond à celle que vous êtes actuellement en train de lire. Elle fournit les instructions d'assemblage, d'utilisation et d'entretien de votre appareil. La seconde partie débute à la page 97. Elle inclut divers types de schémas explicatifs :

- Vues éclatées, listes de pièces et dessins d'assemblage des appareils décrits dans ce mode d'emploi.
- Les schémas explicatifs illustrent les instructions les plus importants décrites dans la première partie du mode d'emploi.



Si un schéma explicatif est disponible pour une instruction en particulier, vous trouverez une référence à ce schéma explicatif dans l'instruction. Ces références sont précédées d'une icône représentant un crayon, comme celui que vous pouvez voir ici à gauche.

3 CONSIGNES DE SÉCURITÉ IMPORTANTES

Lisez les instructions avant d'utiliser l'appareil. Suivez toujours attentivement les instructions. L'assemblage et l'utilisation non conformes aux instructions peuvent causer des incendies ou endommager le matériel.



Les dommages résultant du non respect des instructions suivantes (assemblage incorrect, mauvaise utilisation, entretien inadéquat...) ne sont pas couverts par la garantie.

- Ne laissez pas l'appareil sans surveillance lorsqu'il est allumé.
- ATTENTION ! Ce barbecue va devenir très chaud. Ne pas le déplacer pendant son utilisation.
- Protégez-vous de façon adéquate lorsque vous manipulez des éléments chauds.
- Conservez les matières et les liquides inflammables ainsi que les objets solubles à l'écart de l'appareil en cours d'utilisation.
- ATTENTION ! Ne pas laisser le barbecue à la portée des enfants et des animaux domestiques.
- Gardez à proximité du barbecue en cours d'utilisation un seau d'eau ou de sable, et cela particulièrement en cas de grandes chaleurs ou par temps très sec.
- Ne pas utiliser dans des locaux fermés !

Utilisez l'appareil à l'extérieur uniquement. Son utilisation à l'intérieur, même dans un garage ou un abri de jardin, peut entraîner une intoxication au monoxyde de carbone.

Lors de la sélection d'un emplacement à l'extérieur, il faut toujours :

- Disposez l'appareil à au moins trois mètres des bâtiments, dans un espace ouvert et correctement aéré.
- Assurez-vous que l'appareil ne soit pas situé sous une structure suspendue (porche, abri...) ou sous un feuillage.
- Le barbecue doit être installé sur une base sûre avant d'être utilisé. Ne placez jamais l'appareil sur un véhicule mobile (bateau, remorque...).

4 CONCEPTS RÉCURRENTS

Cette partie définit des concepts moins courants. Ces concepts sont utilisés dans plusieurs sections de ce mode d'emploi.

4.1 Émail

Certains éléments de l'appareil sont couverts d'une couche de matière vitrifiée appliquée par fusion, appelée émail. Cet émail protège de la corrosion le métal sous-jacent. L'émail est une matière de grande qualité : il résiste à la rouille, ne s'altère pas sous l'influence des hautes températures et est très facile à entretenir.



Étant donné que l'émail est moins flexible que le métal qu'il recouvre, il est possible que l'émail s'écaille si vous ne manipulez pas l'appareil correctement. Pour éviter tout problème, faites attention lors de l'assemblage des éléments en émail et entretenez toujours l'émail comme indiqué un peu plus loin dans ce mode d'emploi.

5 ASSEMBLAGE DE L'APPAREIL

5.1 Consignes de sécurité

- Ne modifiez pas l'appareil lors de son assemblage. Il est interdit car très dangereux de modifier des éléments de l'appareil.
- Suivez toujours attentivement les instructions d'assemblage.
- L'utilisateur est tenu responsable de l'assemblage adéquat de l'appareil. Les dommages résultant d'un assemblage incorrect ne sont pas couverts par la garantie.

5.2 Pour assembler l'appareil

Assemblez l'appareil comme indiqué sur les dessins d'assemblage.

 Vous trouverez les dessins d'assemblage dans la deuxième partie de ce mode d'emploi, après la vue éclatée de votre appareil.

 Vous n'avez besoin d'aucun outil spécial pour assembler l'appareil. L'outil permettant de serrer les vis est fourni avec l'appareil.

5.3 Avant chaque utilisation

Posez l'appareil sur une surface plane, propre et stable en rassurant que la partie inférieure de la tonne n'est pas en contact directe avec le sol. Les pieds qui sont livrés avec, fonctionnent comme isolateurs.

6 PRÉPARATION AVANT D'UTILISER L'APPAREIL

Vous avez besoin d'allume-feu conformes la norme EN 1860-3) et d'une longue allumette

6.1 Quel charbon de bois utiliser ?

Allumez toujours votre appareil avec du charbon de bois traditionnel, jamais avec des briquettes. Une fois l'appareil allumé, vous pouvez ajouter des briquettes.

Utilisez du charbon de bois de bonne qualité pour allumer l'appareil, de préférence conforme à la norme EN 1860-2. Un charbon de bois de bonne qualité se compose de grandes briques luisantes et ne dégage pas beaucoup de poussière.

 Fermez bien votre sac de charbon de bois avant de le ranger. Rangez-le toujours au sec, pas dans une cave.

 La cuve doit être remplie au maximum à 50% (max. 1,2kg) de charbon. Le remplissage excessif de la cuve peut endommager gravement votre barbecue en raison d'une température conséquente trop élevée.

6.2 Allumage de l'appareil

 Les étapes principales de cette tâche sont illustrées dans les schémas 2 et 3, page 100.

- 1 Placez quelques allume-feu au fond de la cuve (2a). N'utilisez que des allume-feu conformes à la norme EN 1860-3.
- 2 Couvrez les allume-feu avec le charbon de bois (2b). Astuces:
 - N'utilisez pas trop de charbon de bois. La cuve doit être remplie au tiers.
 - Assurez-vous de toujours pouvoir atteindre les allume-feu.
 - Utilisez des petits morceaux de charbon de bois pour allumer l'appareil. Vous pouvez ajouter des briques plus grandes par la suite.
- 3 Prenez une longue allumette et allumez les allume-feu (2c).

 Lors de la première utilisation de l'appareil, laissez-le chauffer pendant 30 minutes. Cela permettra d'éliminer de l'appareil toutes les graisses employées lors de la fabrication.

 Ne placez pas encore la grille sur l'appareil. Une grille vide peut se déformer si elle est chauffée trop longtemps.

 ATTENTION ! Ne pas utiliser d'alcool ou d'essence pour allumer ou réactiver le feu ! Utiliser uniquement des allume-feu conformes à l'EN 1860-3 !

 ATTENTION ! Ne pas utiliser d'alcool, d'essence ou tout autre liquide analogue pour allumer ou réactiver le barbecue (décret n° 2006-18 du 4 janvier).

 ATTENTION ! avant de commencer la cuisson, attendre qu'une couche de cendres recouvre le combustible. Normalement, cela prend environ 15 minutes (2d).

 crochets de la cuve à charbon de bois. Placez toujours la grille dans cette position lorsque vous utilisez l'appareil.

 Lorsque vous souhaitez ranger l'appareil, placez les supports de la grille près des crochets de la cuve à charbon de bois (Fig.3, page 100). Lorsque la grille est dans cette position moins élevée, vous pouvez placer le couvercle sur l'appareil. Voir également "8.3 Ranger l'appareil".

 Vous pouvez également allumer le charbon de bois dans la Barbecueo cheminée d'allumage charbon. Lorsque le charbon de bois est prêt, dans la cheminée d'allumage charbon, versez-le dans la cuve de l'appareil (1 page 100).

 Il s'agit d'un barbecue au charbon de bois. La combustion de bois (dans le baril et dans le bol à charbon de bois) peut endommager le barbecue.

7 CONSEILS PRATIQUES ET ASTUCES

7.1 Empêcher que les aliments ne brûlent

Pour éviter que les aliments ne brûlent, ne commencez pas à les faire griller tant qu'il y a encore des flammes dans la cuve. Attendez que le charbon de bois soit recouvert d'une fine couche de cendres grises.

7.2 Empêcher que les aliments ne collent

Pour empêcher que les aliments ne collent à la grille :

- Huilez légèrement les aliments avec un pinceau avant de les placer sur la grille. Vous pouvez également enduire le grill d'huile.
- Ne retournez pas les aliments trop rapidement. Laissez-les d'abord emmagasiner de la chaleur.

7.3 Éviter les flammes vives

Les flammes vives sont des flammes soudaines qui surgissent de la cuve lorsque vous grillez. Elles sont généralement causées par des écoulements de graisse ou de marinade.

Lorsque vous grillez, il est normal que quelques flammes vives apparaissent. Cependant, un trop grand nombre de flammes vives augmentent la température dans la cuve et peuvent enflammer la graisse accumulée. Pour éviter les flammes vives :

- Assurez-vous que la cuve est propre avant de commencer à griller. Nous recommandons le nettoyage de la cuve après chaque utilisation.
- Retirez les excédents de graisse et de marinade de la viande. Vous pouvez également utiliser une grille antifleme pour les viandes grasses et/ou marinées.

8 ENTRETIEN DE L'APPAREIL

8.1 Nettoyage de la cuve

 Les étapes principales de cette tâche sont illustrées dans le schéma 4, page 101.

Nous recommandons le nettoyage de la cuve après chaque utilisation. Avec le conteneur à cendres, cela est possible en un instant. Procédez comme suit :

- 1 Laissez l'appareil refroidir complètement et retirez la grille.
- 2 Retirez la grille de fond de la cuve et balayez les cendres dans le conteneur à cendres (4a).
- 3 Enlevez le conteneur à cendres de la cuve (4b) et versez les cendres dans un seau (4c).
- 4 Remplacez le conteneur à cendres et la grille de fond sur la cuve.
- 5 Remplacez la grille sur l'appareil (dans sa position la plus basse) et placez le couvercle sur l'appareil (4d).

8.2 Nettoyage de la grille

Nous recommandons le nettoyage de la grille après chaque utilisation, avec un Barbecue cleaner.

 Vous pouvez également nettoyer la grille avec un détergent doux ou du bicarbonate de soude. N'utilisez jamais de décapants four pour nettoyer la grille.

8.3 Ranger l'appareil

Rangez l'appareil après chaque utilisation. Procédez comme suit :

- 1 Nettoyez la cuve et la grille. Voir "8.1 Nettoyage de la cuve" et "8.2 Nettoyage de la grille"
- 2 Remettez la grille sur l'appareil, dans sa position la plus basse.
- 3 Placez le couvercle sur l'appareil.
- 4 Rangez l'appareil au sec (à l'intérieur, sous un abri, etc.).

8.4 Limiter la formation de rouille.

La partie cylindrique supérieure du corps de l'appareil a tendance à rouiller légèrement. Pour ralentir ce phénomène, vous pouvez huiler cette partie avec de l'huile de tournesol.

 La rouille n'endommage pas le corps de l'appareil. Si vous appréciez un aspect brut, ne prenez pas la peine de huiler le corps de l'appareil.

8.5 Entretien des éléments en émail, en acier inoxydable, en acier chromé et des revêtements de peinture en poudre

L'appareil est constitué d'éléments en émail, en acier inoxydable, en acier chromé et de revêtements de peinture en poudre. Chaque matière doit être entretenue différemment :

Matière	Comment entretenir cette matière
Émail	<ul style="list-style-type: none">• N'utilisez pas d'objets pointus et évitez tout choc contre une surface dure.• Évitez tout contact avec des liquides froids lorsque l'appareil est encore chaud.• Vous pouvez utiliser des éponges métalliques et des détergents abrasifs.
Acier inoxydable et acier chromé	<ul style="list-style-type: none">• N'utilisez pas de détergents corrosifs, abrasifs ou pour métaux.• Utilisez des détergents doux et laissez-les agir sur l'acier.• Utilisez une éponge ou un tissu doux.• Rincez minutieusement après le nettoyage et bien séchez bien avant de ranger.
Revêtements de peinture en poudre	<ul style="list-style-type: none">• N'utilisez pas d'objets pointus. Utilisez des détergents non-abrasifs ainsi qu'une éponge ou un tissu doux.• Rincez minutieusement après le nettoyage et bien séchez bien avant de ranger.

 Les dommages résultant du non respect des instructions suivantes comme l'entretien inadéquat ne sont pas couverts par la garantie.

Ci-dessous une vue éclatée de votre appareil (deuxième partie du mode d'emploi), vous trouverez une liste de toutes les pièces composant l'appareil. Cette liste inclut un symbole qui spécifie la matière de chaque pièce, ainsi vous pouvez l'utiliser pour vérifier la manière dont vous devez entretenir une pièce en particulier. La liste de pièces utilise les symboles suivants :

Symbole	Matière
●	Émail
▲	Acier chromé
■	Acier inoxydable
★	Revêtements de peinture en poudre

8.6 Commander des pièces de rechange

Les pièces directement exposées au feu ou à une chaleur intense doivent être changées de temps à autre. Pour commander une pièce de rechange :

- 1 Notez le numéro de référence de la pièce que vous souhaitez commander. Vous trouverez une liste de tous les numéros de référence sous la vue éclatée dans la seconde partie du présent mode d'emploi et sur le site www.barbecue.com.

 Si vous avez enregistré votre appareil en ligne, vous serez automatiquement guidé vers la liste appropriée dans votre compte MyBarbecue. Vous y aurez la possibilité de commander des pièces en ligne.

- 2 Commandez les pièces de rechange via le site www.barbecue.com ou chez votre revendeur. Les pièces couvertes par la garantie peuvent être commandées chez votre revendeur.

9 GARANTIE

9.1 Ce qu'elle couvre

Votre appareil vient avec une garantie de deux ans à partir de la date d'achat. La garantie couvre tous les défauts de fabrication, à condition que :

- Vous utilisiez, assembliez, et entreteniez votre appareil conformément aux instructions contenues dans ce mode d'emploi. Les dommages résultant d'une mauvaise utilisation, d'un assemblage incorrect ou d'un entretien inadéquat ne sont pas considérés comme des défauts de fabrication.
- Vous pouvez présenter le ticket de caisse de votre appareil.
- Le service qualité Barbecue confirme que les pièces sont défectueuses et cela malgré une utilisation normale, un assemblage correct et un entretien adéquat.

Si les conditions citées précédemment ne sont pas respectées, vous ne pourrez pas être couvert. Dans tous les cas, la garantie se limite à la réparation et au remplacement de la ou des pièces défectueuses.

9.2 Ce qu'elle ne couvre pas

Les dommages et les défauts suivants ne sont pas couverts par la garantie :

- L'usure normale (rouille, déformation, décoloration...) des pièces directement exposées au feu ou à une chaleur intense. Il est normal de remplacer ces pièces au fil du temps.

- Les irrégularités visuelles sont inhérentes au processus de fabrication. Ces irrégularités ne sont pas considérées comme des défauts de fabrication.
- Tous les dommages résultant d'un entretien inadéquat, du rangement incorrect, d'un mauvais assemblage ou de modifications effectuées sur des pièces pré-assemblées.
- Tous les dommages résultant d'une utilisation abusive ou à mauvais escient de l'appareil (utilisation non conforme aux instructions de ce mode d'emploi, utilisation professionnelle...).
- Tous les dommages consécutifs résultant d'une utilisation inadaptée ou non conforme de l'appareil.
- La rouille ou la décoloration résultant d'influences externes, de l'utilisation de détergents corrosifs, de l'exposition au chlore... Ces dommages ne sont pas considérés comme des défauts de fabrication.

DE – BEDIENUNGSANLEITUNG

1 REGISTRIEREN IHRES GERÄTS

Vielen Dank, dass Sie ein Barbecook-Produkt gekauft haben! Entdecken Sie eine völlig neue Welt. Egal, ob Sie sich inmitten friedlicher Natur oder im hektischen Stadtleben befinden. Werden Sie in unserer #barbecue-Community zu einem Grillmeister und lassen Sie uns Ihre Grillfähigkeiten ins Rampenlicht rücken.

Registrieren Sie Ihr Barbecook-Produkt online und profitieren Sie von einigen erheblichen Vorteilen:

- Greifen Sie auf die komplette Bedienungsanleitung zu und machen Sie sich mit jedem Detail Ihres Produktes vertraut.
- Genießen Sie personalisierten Kundendienst, wodurch Sie schneller Ersatzteile finden und von einem optimalen Garantieservice profitieren.
- Wir informieren Sie über Produktaktualisierungen und liefern Ihnen Tipps, Tricks und Grillspiration, damit Sie zu einem wahren Grillmeister werden.

Sind Sie bereit für ein Abenteuer? Registrieren Sie Ihr Produkt und werden Sie Teil der #barbecue-Community!



Weitere Informationen über die Registrierung Ihres Produktes finden Sie unter www.barbecue.com.



Barbecue respektiert Ihre Privatsphäre. Ihre Daten werden nicht verkauft, verteilt oder an Dritte weitergegeben.

2 INFORMATIONEN ZU DIESEM HANDBUCH

Dieses Handbuch besteht aus zwei Teilen. Den ersten Teil lesen Sie gerade. Er enthält Anweisungen zur Montage, Verwendung und Pflege des Geräts. Der zweite Teil beginnt auf Seite 97. Er umfasst alle Abbildungen:

- Explosionsansichten, Teilelisten und Montagezeichnungen der in diesem Handbuch beschriebenen Geräte.
- Illustrationen der wichtigsten Anweisungen aus dem ersten Teil des Handbuchs.



Wenn eine Illustration für eine bestimmte Anweisung vorhanden ist, enthält die Anweisung einen entsprechenden Verweis. Vor diesen Verweisen sehen Sie ein Stiftsymbol, wie hier auf der linken Seite.

3 WICHTIGE SICHERHEITSHINWEISE

Lesen Sie die Anweisungen, bevor Sie das Gerät verwenden. Befolgen Sie die Anweisungen stets genau. Abweichende Montage oder Verwendung des Geräts kann zu einem Brand oder zu Materialschäden führen.



Schäden aufgrund von Nichtbeachtung der Anweisungen (falsche Montage, unsachgemäß Verwendung, ungeeignete Pflege...) fallen nicht unter die Gewährleistung.

- Lassen Sie das Gerät nie unbeaufsichtigt, wenn es verwendet wird.
- ACHTUNG! Dieses Grillgerät wird sehr heiß und darf während des Betriebes nicht bewegt werden
- Verwenden Sie einen geeigneten Schutz, wenn Sie mit heißen Teilen arbeiten.

- Halten Sie flammable Materialien, entzündliche Flüssigkeiten und lösliche Gegenstände vom Gerät fern, wenn es verwendet wird.
- ACHTUNG! Kinder und Haustiere fernhalten
- Halten Sie einen Eimer mit Wasser oder Sand bereit, wenn Sie das Gerät verwenden, insbesondere an heißen Tagen und bei Trockenheit.
- Nicht in geschlossenen Räumen nutzen

Das Gerät darf nur im Freien verwendet werden. Die Verwendung in Räumen, auch in einer Garage oder Hütte, kann zur Kohlenmonoxidvergiftung führen.

Beachten Sie bei der Wahl eines Standorts im Freien Folgendes:

- Stellen Sie das Produkt mindestens drei Meter von jeglichen Gebäuden entfernt an einem offenen, gut belüfteten Ort auf.
- Achten Sie darauf, dass sich das Produkt nicht unter einer überhängenden Struktur (Vorbau, Unterstand usw.) oder unter Blätterwerk befindet.
- Der Grill muss vor der Benutzung auf einem sicheren, ebenen Untergrund aufgestellt werden. Stellen Sie ihn niemals auf ein bewegliches Fahrzeug (Boot, Anhänger usw.).

4 WIEDERKEHRENDE KONZEPTE

Dieser Teil umfasst Definitionen einiger weniger bekannter Konzepte. Diese Konzepte werden in verschiedenen Themen dieses Handbuchs verwendet.

4.1 Emaille

Einige Teile des Geräts sind mit geschmolzenem Glas, so genanntem Emaille überzogen. Diese Emaille schützt das darunterliegende Material vor Korrosion. Emaille ist ein hochwertiges Material: Es rostet nicht, hält hohen Temperaturen stand und ist leicht zu pflegen.



Da die Emaille weniger flexibel ist als das davon umgebene Metall, kann die Emaille abblättern, wenn Sie das Gerät unsachgemäß handhaben. Um derartige Probleme zu vermeiden, sollten Sie bei der Montage emaillierter Teile vorsichtig vorgehen und darauf achten, dass die Emaille erhalten bleibt. Beachten Sie dazu die Beschreibungen in diesem Handbuch.

5 MONTIEREN DES GERÄTS

5.1 Sicherheitshinweise

- Ändern Sie das Gerät beim Zusammenbau nicht. Es ist überaus gefährlich und untersagt, Teile des Geräts zu ändern.
- Befolgen Sie die Montageanweisungen stets genau.
- Der Benutzer ist für die korrekte Montage des Geräts verantwortlich. Schäden, die durch falsche Montage verursacht werden, fallen nicht unter die Gewährleistung.

5.2 Montage des Geräts

Bauen Sie das Gerät wie auf den Montagezeichnungen gezeigt zusammen.

 Die Montagezeichnungen finden Sie im zweiten Teil dieses Handbuchs, hinter den Explosionsansichten Ihres Geräts.

 Sie benötigen keine Spezialwerkzeuge, um das Gerät zusammenzubauen. Das Werkzeug zum Festziehen der Schrauben ist im Lieferumfang des Geräts enthalten.

5.3 Vor jeder Verwendung

Stellen Sie das Gerät auf einen stabilen, ebenen und sauberen Untergrund und achten Sie darauf, dass die Unterseite der Trommel nicht mit dem Boden in Berührung steht. Die Gummifüße des Grills haben eine isolierende Wirkung.

6 VORBEREITEN DES GERÄTS FÜR DIE VERWENDUNG

Sie benötigen Holzkohle, Feueranzünder (gemäß EN 1860-3) und ein langes Streichholz.

6.1 Welche Holzkohle sollte verwendet werden?

Verwenden Sie immer herkömmliche Holzkohle, keine Briketts. Nachdem das Gerät entzündet wurde, können Sie Briketts hinzufügen.

Verwenden Sie hochwertige Holzkohle, um das Gerät zu entzünden, vorzugsweise gemäß EN 1860-2. Hochwertige Holzkohle besteht aus großen, glänzenden Stücken, die kaum stauben.

 Verschließen Sie den Beutel mit der Holzkohle sorgfältig, bevor Sie ihn lagern. Lagern Sie die Holzkohle immer an einem trockenen Ort, nicht im Keller.

 Max. 50 % (max. 1,2 kg) der Schale können mit Holzkohle gefüllt werden. Bei Überfüllen der Schale kann Ihr Grill aufgrund übermäßiger Hitze ernsthaft beschädigt werden.

6.2 Anzünden des Geräts

 Die Hauptschritte sind in Abbildung 2 und 3 auf Seite 100 dargestellt.

- 1 Legen Sie etwas Feueranzünder unten in die Schale (Abb. 2a). Verwenden Sie stets Feueranzünder, die mit EN 1860-3 konform sind.
- 2 Bedecken Sie den Feueranzünder mit Holzkohle (Abb. 2b).
Tipps:
 - Verwenden Sie nicht zu viel Holzkohle. Die Schale sollt zu einem Drittel gefüllt sein.
 - Vergewissern Sie sich, dass Sie die Feueranzünder noch erreichen können.
 - Verwenden Sie kleine Holzkohlestücke, um das Gerät anzuzünden. Sie können später größere Stücke verwenden.
- 3 Zünden Sie die Feueranzünder mit einem langen Streichholz an (Abb. 2c).

 Wenn Sie das Gerät zum ersten Mal verwenden, lassen Sie es 30 Minuten brennen. Dadurch werden eventuell noch von der Produktion vorhandene Schmierstoffe vom Gerät entfernt.

 Legen Sie den Grillrost noch nicht auf das Gerät. Ein leerer Grillrost kann sich verformen, wenn er zu lange Hitze ausgesetzt ist.

 **ACHTUNG!** Zum Anzünden oder Wiederanzünden keinen Spiritus oder Benzin verwenden! Nur Anzündhilfen entsprechend EN 1860-3 verwenden!

 **ACHTUNG!** Grillgut erst auflegen, wenn der Brennstoff mit einer Ascheschichtbedeckt ist. Das dauert normalerweise etwa 15 Minuten (Abb. 2d).

 **ACHTUNG!** Sie können erst mit dem Kochen beginnen, wenn der Brennstoff (Holzkohle) mit Asche bedeckt ist. Normalerweise dauert dies etwa 15 Minuten (Abb. 3c).

 Wenn Sie das Gerät lagern wollen, legen Sie die Stützen des Grillrosts neben die Haken der Holzkohleschale (Abb. 3 auf Seite 100). Wenn sich der Grillrost in dieser unteren Position befindet, können Sie das Gerät mit der Abdeckung abdecken. Siehe auch "8.3 Lagern des Geräts".

 Sie können die Holzkohle auch im Barbecue Holzkohlestarter anzünden. Wenn die Holzkohle bereit ist, gießen Sie sie einfach aus dem Holzkohlestarter in die Schale des Geräts (Abb. 1, Seite 100).

 Dies ist ein Holzkohlegrill, bei dem brennendes Holz (sowohl im Fass als auch in der Kohleschale) kann der Grill beschädigt werden.

7 HILFREICHE TIPPS UND TRICKS

7.1 Verhindern des Verbrennens von Speisen

Um zu verhindern, dass die Speisen anbrennen, beginnen Sie mit dem Grillen erst, wenn keine Flammen mehr in der Schale sind. Warten Sie, bis die Holzkohle mit einer dünnen Schicht weißer Asche bedeckt ist.

7.2 Verhindern des Anhaftens von Speisen

So verhindern Sie, dass Speisen am Grill anhaften:

- Bestreichen Sie die Speisen mithilfe eines Pinsels leicht mit Öl, bevor Sie sie auf den Grill legen. Auch der Grill kann geölt werden.
- Drehen Sie die Speisen nicht zu schnell. Warten Sie, bis sie sich erwärmt haben.

7.3 Vermeiden von Stichflammen

Stichflammen sind beim Grillen plötzlich auftretende Flammen. Diese entstehen, wenn Fett oder Marinade heruntertropfen.

Während des Grillens sind einige Stichflammen normal. Zu viele Stichflammen erhöhen jedoch die Temperatur in der Schale und können zur Entzündung von angesammeltem Fett führen. So vermeiden Sie Stichflammen:

- Vergewissern Sie sich vor dem Grillen, dass die Schale sauber ist. Wir empfehlen, die Schale nach jeder Verwendung zu reinigen.
- Entfernen Sie überschüssiges Fett und Marinade vom Fleisch. Außerdem können Sie für fettiges und/oder mariniertes Fleisch eine Grillpfanne verwenden.

8 PFLEGE DES GERÄTS

8.1 Reinigen der Schale

 Die Hauptschritte sind in Abbildung 4 auf Seite 101 dargestellt.

Wir empfehlen, die Schale nach jeder Verwendung zu reinigen. Mit dem Aschebehälter geht das im Handumdrehen. Gehen Sie folgendermaßen vor:

- 1 Warten Sie, bis das Gerät vollständig abgekühlt ist, bevor Sie den Grillrost entfernen.
- 2 Entfernen Sie das untere Gitter aus der Schale und bürsten Sie die Asche in den Aschebehälter (Abb. 4a).

- 3 Heben Sie den Aschebehälter aus der Schale (Abb. 4b) und schütten Sie die Asche in einen Eimer (Abb. 4c).
- 4 Legen Sie den Aschebehälter und das untere Gitter wieder in die Schale.
- 5 Setzen Sie den Grillrost wieder in das Gerät ein (in der untersten Position) und decken Sie das Gerät mit der Abdeckung ab (Abb. 4d).

8.2 Reinigen des Grillrosts

Wir empfehlen, den Rost nach jeder Benutzung mit einem Barbecue-Reiniger zu reinigen.

-  Zudem können Sie den Rost mit einem sanften Reinigungsmittel oder mit Natriumbicarbonat reinigen. Verwenden Sie niemals Ofenreiniger.

8.3 Lagern des Geräts

Lagern Sie das Gerät nach jeder Verwendung. Gehen Sie folgendermaßen vor:

- 1 Reinigen Sie die Schale und den Grillrost. Siehe "8.1 Reinigen der Schale" und "8.2 Reinigen des Grillrosts"
- 2 Setzen Sie den Grillrost in der niedrigsten Position wieder in das Gerät ein.
- 3 Decken Sie das Gerät mit der Abdeckung ab.
- 4 Lagern Sie das Gerät an einem trockenen Ort (im Haus, unter einem Unterstand...).

8.4 Einschränken der Rostbildung

Der obere Ring des Zylinders kann etwas rosten. Um diesen Vorgang zu verlangsamen, können Sie den Ring mit Sonnenblumenöl fetten.

-  Der Rost schadet dem Zylinder nicht. Wenn Sie eine robuste Optik mögen, dann machen Sie sich nicht die Mühe, den Zylinder zu fetten.

8.5 Pflegen von Emaille, Edelstahl, Chrom und pulverbeschichteten Teilen

Das Gerät besteht aus Emaille-, Edelstahl-, Chrom- und pulverbeschichteten Teilen. Jedes dieser Materialien muss unterschiedlich gepflegt werden:

Material	Materialpflege
Emaille	<ul style="list-style-type: none"> • Keine scharfkantigen Objekte verwenden und nicht gegen harte Flächen schlagen. • Kontakt mit kalten Flüssigkeiten vermeiden, wenn die Fläche noch warm ist. • Es können Metallkratzer und Scheuermittel verwendet werden.

Material	Materialpflege
Edelstahl und Chrom	<ul style="list-style-type: none"> • Keine aggressiven, scheuernden oder metallischen Reiniger verwenden. • Weiche Reinigungsmittel verwenden, die Verschmutzungen selbstständig lösen. • Einen weichen Schwamm oder ein weiches Tuch verwenden. • Nach der Reinigung gründlich spülen und vor der Lagerung gut trocknen lassen.
Pulverbeschichtet	<ul style="list-style-type: none"> • Keine scharfkantigen Objekte verwenden. Sanfte Reinigungsmittel und einen weichen Schwamm oder ein weiches Tuch verwenden. • Nach der Reinigung gründlich spülen und vor der Lagerung gut trocknen lassen.



Schäden aufgrund von Nichtbeachtung dieser Anweisungen werden als unsachgemäße Wartung betrachtet und fallen nicht unter die Gewährleistung.

Unter der Explosionsansicht Ihres Geräts (zweiter Teil des Handbuchs) finden Sie eine Liste mit allen Teilen. Diese Liste verwendet auch Symbole für das Material jedes Teils, sodass Sie hier nachschlagen können, wie ein bestimmtes Teil zu pflegen ist. Folgende Symbole werden in der Teileliste verwendet:

Symbol	Material
●	Emaille
▲	Chrom
■	Edelstahl
★	Pulverbeschichtet

8.6 Bestellen von Ersatzteilen

Teile, die Feuer oder intensiver Hitze ausgesetzt sind, müssen von Zeit zu Zeit ersetzt werden. So bestellen Sie ein Ersatzteil:

- 1 Suchen Sie nach der Referenznummer des benötigten Teils. Unter den Explosionsdarstellungen im zweiten Abschnitt dieser Anleitung und auf www.barbecue.com finden Sie eine Auflistung aller Referenznummern.



Wenn Sie Ihr Gerät online registriert haben, werden Sie in Ihrem MyBarbecue-Konto automatisch zur richtigen Liste geführt. Dort können Sie Ihre Teile online bestellen.

- 2 Bestellen Sie Ersatzteile über www.barbecue.com oder bei Ihrer Verkaufsstelle. Teile, die unter die Garantie fallen, können nur bei Ihrer Verkaufsstelle bestellt werden.

9 GEWÄHRLEISTUNG

9.1 Abgedeckt

Ihr Gerät umfasst eine Gewährleistung von zwei Jahren ab Beginn des Kaufdatums. Diese Gewährleistung deckt alle Herstellungsfehler ab, vorausgesetzt:

- Sie haben Ihr Gerät entsprechend den Anweisungen in diesem Handbuch verwendet, zusammgebaut und gepflegt. Schäden, die durch unsachgemäße Verwendung, falsche Montage oder ungeeignete Pflege entstehen, werden nicht als Herstellungsfehler betrachtet.
- Sie können den Kaufbeleg Ihres Geräts vorlegen.

- Die Qualitätsabteilung von Barbecue prüft, ob die Teile defekt sind und dass sie bei normaler Verwendung, korrekter Montage und geeigneter Pflege beschädigt wurden.

Wird eine der oben genannten Bedingungen nicht erfüllt, haben Sie keinen Anspruch auf Wiedergutmachung. In allen Fällen ist die Gewährleistung auf die Reparatur oder den Austausch der defekten Teile beschränkt.

9.2 Nicht abgedeckt

Folgende Schäden oder Defekte sind von der Gewährleistung nicht abgedeckt:

- Normale Abnutzung (Rost, Verformung, Verfärbung...) von Teilen, die Feuer oder intensiver Hitze direkt ausgesetzt sind. Es ist normal, dass diese Teile von Zeit zu Zeit ausgetauscht werden müssen.
- Optische Unregelmäßigkeiten, die auf den Fertigungsprozess zurückzuführen sind. Diese Unregelmäßigkeiten werden nicht als Herstellungsfehler betrachtet.
- Alle Schäden, die durch ungeeignete Pflege, falsche Lagerung, unsachgemäße Montage oder Änderungen an vormontierten Teilen entstehen.
- Alle Schäden, die durch unsachgemäße Verwendung des Geräts (nicht entsprechend den Anweisungen in diesem Handbuch, für kommerzielle Zwecke...) verursacht werden.
- Alle Folgeschäden aufgrund von Nachlässigkeit oder nicht bestimmungsgemäßer Verwendung des Geräts.
- Rost oder Verfärbung aufgrund äußerer Einflüsse, durch die Verwendung aggressiver Reinigungsmittel, Kontakt mit Chlor... Diese Schäden werden nicht als Herstellungsfehler betrachtet.

ES – GUÍA DEL USUARIO

1 REGISTRAR EL APARATO

¡Gracias por comprar un aparato Barbecue! Le espera todo un nuevo mundo que explorar, ya sea en la paz y tranquilidad de la naturaleza o en el bullicio de la ciudad. Conviértase en un experto de la parrilla en nuestra comunidad #barbecue y muéstranos sus habilidades sobre el asador.

Registre su aparato Barbecue en línea y consiga algunos beneficios importantes:

- Accederá al manual de usuario completo y conocerá cada parte de su aparato.
- Se beneficiará de un servicio postventa personalizado, lo que le permitirá encontrar fácilmente piezas de recambio y disfrutar de un servicio de garantía óptimo.
- Le informaremos sobre las actualizaciones del producto y le daremos consejos, trucos e inspiración sobre la parrilla para sacar al experto en parrillas que lleva dentro.

¿Está listo para la aventura? ¡Registre su producto y únase a la comunidad #barbecue!

 Para más información sobre el registro de su aparato, visite www.barbecue.com.

 Barbecue respeta su privacidad. Sus datos personales no se venderán, distribuirán o compartirán con terceros.

2 ACERCA DE ESTE MANUAL

Este manual consta de dos partes. La primera es la que está leyendo, e incluye instrucciones de montaje, uso y mantenimiento de su aparato. La segunda parte comienza en la página 97. Incluye todo tipo de ilustraciones:

- Imágenes ampliadas, listas de piezas y dibujos de montaje de los aparatos descritos en este manual.
- Ilustraciones de apoyo de las instrucciones más importantes de la primera parte del manual.

 Si hay una ilustración disponible para una instrucción en particular, encontrará una referencia a esa ilustración en la instrucción. Estas referencias van precedidas por un icono de lápiz, como el que ve aquí a la izquierda.

3 INSTRUCCIONES DE SEGURIDAD IMPORTANTES

Lea las instrucciones antes de usar el aparato. Siga siempre las instrucciones detenidamente. Montar o usar el aparato de forma diferente puede provocar incendios y daños materiales.

 Los daños producidos por no seguir las instrucciones (montaje inadecuado, uso indebido, mantenimiento inapropiado...) no están cubiertos por la garantía.

- No deje el aparato desatendido cuando lo esté usando.
- ¡ATENCIÓN! ¡Esta barbacoa se calentará mucho, no la mueva durante su utilización!
- Use protección adecuada cuando toque las partes calientes.
- Mantenga todo material o líquido inflamable, y los objetos solubles alejados del aparato cuando se esté usando.
- ¡ATENCIÓN! ¡No deje la barbacoa al alcance de los niños y animales domésticos!
- Tenga un cubo de agua o arena a mano cuando use el aparato, especialmente en días muy calurosos y en zonas secas.
- ¡No utilizar en locales cerrados!

Use el aparato únicamente al aire libre. Usarlo en interiores, incluso en un garaje o cobertizo, puede provocar envenenamiento por monóxido de carbono.

Cuando seleccione una ubicación al aire libre, siempre:

- Coloque el aparato con una separación de al menos tres metros de cualquier edificio, en una zona abierta y bien ventilada.
- Asegúrese de que el aparato no se encuentra bajo una estructura saliente (un porche, un cobertizo...) o bajo vegetación.
- Es necesario que instale la barbacoa sobre una superficie segura y nivelada antes de su uso. Nunca la coloque en un vehículo en marcha (un barco, una caravana...).

4 CONCEPTOS RECURRENTES

Esta sección incluye definiciones de algunos conceptos menos familiares. Estos conceptos se usan en varios temas del manual.

4.1 Esmalte

Algunas piezas del aparato están cubiertas con una capa de vidrio fundido, llamado esmalte. Este esmalte protege de la corrosión el metal que tiene debajo. El esmalte es un material de alta calidad: es resistente al óxido, no se decolora con las temperaturas elevadas y su mantenimiento es muy fácil.

 Como el esmalte es menos flexible que el metal al que cubre, pueden levantarse trozos de esmalte cuando maneje el aparato de forma incorrecta. Para evitar problemas, tenga precaución al montar las piezas esmaltadas y realice siempre el mantenimiento del esmalte como se describe en este manual.

5 MONTAR EL APARATO

5.1 Instrucciones de seguridad

- No modifique el aparato cuando lo esté montando. Es muy peligroso y no se permite alterar las piezas del aparato.
- Siga siempre las instrucciones de montaje detenidamente.
- El usuario es responsable del correcto montaje del aparato. Los daños causados por un montaje inadecuado no están cubiertos por la garantía.

5.2 Para montar el aparato

Monte el aparato como se muestra en los dibujos de montaje.

 Encontrará los dibujos de montaje en la segunda parte de este manual, después de la imagen ampliada de su aparato.

 No necesita ninguna herramienta especial para montar el aparato. La herramienta para apretar los tornillos se suministra con el aparato.

5.3 Antes de cada uso

Ponga el aparato en una superficie estable, limpia y nivelada, y asegúrese de que la parte inferior de la bombona no esté en contacto con el suelo. Las patas de goma de la barbacoa funcionan como aislantes.

6 PREPARAR EL APARATO PARA SU USO

Necesita carbón, pastillas de encendido (en cumplimiento con EN1860-3) y una cerilla larga.

6.1 ¿Qué tipo de carbón debo usar?

Encienda siempre su aparato con carbón tradicional, nunca con pastillas. Una vez encendido el aparato, puede añadir pastillas.

Use carbón de buena calidad para encender el aparato, preferiblemente uno que cumpla la norma EM1860-2. El carbón de buena calidad tiene trozos grandes y brillantes que no levantan mucho polvo.



Cierre bien la bolsa de carbón antes de guardarla. Guárdela siempre en un lugar seco, que no sea una bodega.



Llene como máximo un 50 % (máx. 1,2 kg) del cuenco con carbón. Su barbacoa puede dañarse de manera importante si el cuenco se llena de forma excesiva debido al abundante calor.

6.2 Encender el aparato



Los pasos principales de esta tarea están ilustrados en las figuras 2 y 3 de la página 100.

- 1 Ponga algunas pastillas de encendido en la parte inferior del recipiente (Fig. 2a). Use siempre pastillas de encendido que cumplan la norma EN 1860-3.
- 2 Cubra las pastillas de encendido con carbón (Fig. 2b). Consejos:
 - No use demasiado carbón. Solo debe llenar un tercio del recipiente.
 - Asegúrese de poder seguir teniendo acceso a las pastillas de encendido.
 - Use trozos pequeños de carbón para encender el aparato. Puede añadir pastillas más grandes más tarde.
- 3 Coja una cerilla larga y encienda las pastillas de encendido (Fig. 2c).
 - ⚠ Caliente la barbacoa y mantenga el carbón encendido durante al menos 30 minutos antes del primer uso. Con ello, se eliminará cualquier resto de grasa que pueda quedar de la fabricación del aparato.
 - ⚠ No ponga la parrilla en el aparato todavía. Una parrilla vacía puede deformarse si está al calor demasiado tiempo.
 - ⚠ ¡ATENCIÓN! ¡No use alcohol o gasolina para encender o avivar el fuego! Utilice únicamente los combustibles de encendido conformes a la Norma EN 1860-3.
- 4 Antes de comenzar a cocinar, verifique que el combustible está recubierto de cenizas. Normalmente, esto tarda aproximadamente 15 minutos (Fig. 2d)
- 5 Ponga la parrilla en el aparato, con sus soportes en los ganchos del recipiente de carbón. Ponga siempre la parrilla en esta posición cuando use el aparato.



Cuando quiera guardar el aparato, ponga los soportes de la parrilla junto a los ganchos del recipiente de carbón (Fig. 3 de la página 100). Cuando la parrilla está en esta posición más baja, puede poner la funda sobre el aparato. Consulte también "8.3 Guardar el aparato".



También puede encender el carbón en el iniciador de carbón Barbecue. Cuando el carbón esté listo, viértalo desde el iniciador de carbón en el recipiente del aparato (Fig. 1, página 100).

7 CONSEJOS Y TRUCOS ÚTILES

7.1 Evitar que se quemem los alimentos

Para evitar que se quemem los alimentos, no empiece nunca a asar a la parrilla cuando todavía quedan llamas en el recipiente. Espere hasta que el carbón esté cubierto por una fina capa de ceniza blanca.

7.2 Evitar que se peguen los alimentos

Para evitar que se peguen los alimentos a la parrilla:

- Use una brocha para extender una capa ligera de aceite sobre los alimentos antes de ponerlos en la parrilla. También puede aplicar el aceite sobre la parrilla.
- No le dé la vuelta a los alimentos demasiado pronto. Déjelos que se cocinen bien primero.

7.3 Evitar llamaradas

Las llamaradas son llamas repentinas que se levantan del recipiente cuando está cocinando. Normalmente están causadas por la grasa que gotea o el adobo.

Es normal que se produzcan algunas llamaradas cuando se está cocinando a la parrilla. Sin embargo, demasiadas llamaradas pueden elevar la temperatura del recipiente e incendiar la grasa acumulada. Para evitar las llamaradas:

- Asegúrese de que el recipiente esté limpio antes de empezar a cocinar. Le recomendamos limpiar el recipiente después de cada uso.
- Retire el exceso de grasa y adobo de la carne. También puede usar una sartén sobre la parrilla para carne con mucha grasa y/o adobada.

8 MANTENIMIENTO DEL APARATO

8.1 Limpiar el recipiente



Los pasos principales de esta tarea están ilustrados en la figura 4 de la página 101.

Le recomendamos limpiar el recipiente después de cada uso. Con el receptáculo de cenizas esto se hace en un momento. Proceda como se indica:

- 1 Deje que al aparato enfríe por completo y retire la rejilla.
- 2 Retire la rejilla inferior del recipiente y cepille las cenizas hacia dentro del receptáculo de cenizas (Fig. 4a).
- 3 Levante el receptáculo de cenizas del recipiente (Fig. 4b) y vierta las cenizas en un cubo (Fig. 4c).
- 4 Vuelva a colocar el receptáculo de cenizas y la rejilla inferior en el recipiente.
- 5 Vuelva a colocar la parrilla en el aparato (en la posición más baja) y ponga la cubierta sobre el aparato (Fig. 4d).

8.2 Limpiar la parrilla

Recomendamos limpiar la parrilla con un limpiador Barbecue después de cada uso.



También puede limpiar la parrilla con un detergente suave o con bicarbonato sódico. Nunca utilice limpiadores de hornos para limpiar la parrilla.

8.3 Guardar el aparato

Guarde el aparato después de cada uso. Proceda como se indica:

- 1 Limpie el recipiente y la parrilla. Consulte “8.1 Limpiar el recipiente” y “8.2 Limpiar la parrilla”
- 2 Vuelva a poner la parrilla en el aparato, en la posición más baja.
- 3 Ponga la funda sobre el aparato.
- 4 Guarde el aparato en un lugar seco (en interiores, bajo techo...).

8.4 Limitar la formación de óxido

El anillo superior del barril tiene tendencia a oxidarse un poco. Para ralentizar el proceso, puede aplicar aceite de girasol al anillo.

i El óxido no daña el barril. Si le gusta que tenga un aspecto recio no se moleste en aplicar aceite al barril.

8.5 Mantener las piezas de esmalte, acero inoxidable, cromo y revestimiento de pintura en polvo

El aparato consta de piezas esmaltadas, de acero inoxidable, cromadas y con revestimiento de pintura en polvo. Cada material debe mantenerse de forma diferente:

Material	Cómo mantener este material
Esmalte	<ul style="list-style-type: none">• No use objetos afilados y no lo golpee contra una superficie dura.• Evite el contacto con líquidos fríos mientras todavía está caliente.• Puede usar esponjas de metal y detergentes abrasivos.
Acero inoxidable y cromo	<ul style="list-style-type: none">• No use detergentes agresivos, abrasivos o detergentes para metal.• Use detergentes suaves y déjelos actuar sobre el acero.• Utilice una esponja o un paño suave.• Enjuague bien después de limpiar y déjelo secar completamente antes de guardarlo.
Revestimiento de pintura en polvo	<ul style="list-style-type: none">• No use objetos afilados. Utilice detergentes suaves y una esponja o un paño suave.• Enjuague bien después de limpiar y déjelo secar completamente antes de guardarlo.

⚠ Los daños producidos por no seguir estas instrucciones se consideran mantenimiento inapropiado y no están cubiertos por la garantía.

Debajo de la imagen ampliada de su aparato (en la segunda parte del manual), encontrará una lista de todas las piezas de las que consta el aparato. La lista incluye un símbolo del material de cada pieza que le servirá de referencia para comprobar cómo mantener esa pieza en particular. La lista de piezas usa los siguientes símbolos:

Símbolo	Material
●	Esmalte
▲	Cromo
■	Acero inoxidable
★	Revestimiento de pintura en polvo

8.6 Pedir piezas de repuesto

Se deben de reemplazar las piezas directamente expuestas al fuego o al calor intenso de vez en cuando. Para pedir una pieza de recambio:

- 1 Busque el número de referencia de la pieza que necesite. Encontrará una lista con todos los números de referencia bajo la vista expandida en la segunda parte de este manual y en www.barbecue.com.
-  Si ha registrado su aparato en línea, se mostrará automáticamente la lista adecuada en su cuenta MyBarbecue. Es ahí donde puede pedir sus piezas en línea.
- 2 Pida la pieza de recambio a través de www.barbecue.com o en su punto de venta. Las piezas en garantía solo se pueden pedir en su punto de venta.

9 GARANTÍA

9.1 Cubierto

Su aparato viene con una garantía de dos años desde la fecha de compra. Esta garantía cubre todos los defectos de fabricación, teniendo en cuenta que:

- Haya usado, montado y mantenido su aparato de acuerdo con las instrucciones de este manual. Los daños causados por uso incorrecto, montaje indebido o mantenimiento inapropiado no se consideran defectos de fabricación.
- Puede presentar el recibo de su aparato.
- El departamento de calidad de Barbecue confirma que las piezas sean defectuosas y que demuestren ser defectuosas bajo un uso normal, un montaje correcto y un mantenimiento apropiado.

Si no se cumple una de las condiciones anteriores, no puede reclamar ninguna forma de compensación. En todos los casos, la garantía se limita a la reparación o el reemplazo de las piezas defectuosas.

9.2 No cubierto

Los siguientes daños y defectos no están cubiertos por la garantía:

- Uso y desgaste normales (óxido, deformación, decoloración) de las piezas que están directamente expuestas a las llamas o a un calor intenso. Es normal reemplazar estas piezas de vez en cuando.
- Irregularidades visuales inherentes al proceso de fabricación. Estas irregularidades no se consideran defectos de fabricación.
- Todos los daños producidos por un mantenimiento inadecuado, un almacenamiento incorrecto, un montaje inapropiado o modificaciones realizadas en las piezas premontadas.
- Todos los daños producidos por el abuso o uso incorrecto del aparato (no usarlo de acuerdo a las instrucciones de este manual, usarlo para fines comerciales...).
- Todos los daños derivados de un uso descuidado o indebido del aparato.
- Óxido o decoloración provocados por elementos externos, el uso de detergentes agresivos, exposición a cloro... Estos daños no se consideran defectos de fabricación.

IT - GUIDA ALL'USO

1 REGISTRAZIONE DEL BARBECUE

Grazie per aver acquistato un prodotto Barbecue! Ti aspetta un mondo intero tutto da esplorare, sia nella pace e nella quiete della natura, sia in mezzo alla frenesia della città. Diventa un master della griglia nella nostra community #barbecue e metti in mostra le tue abilità alla griglia.

Registra online il tuo prodotto Barbecue per ottenere i seguenti vantaggi:

- Accesso al Manuale d'uso completo e conoscere ogni minimo particolare del prodotto.
- Accesso a un servizio personalizzato di assistenza post-vendita che consente di trovare rapidamente eventuali parti di ricambio e di ottenere un servizio di garanzia ottimale.
- Informazioni sugli aggiornamenti dei prodotti e suggerimenti, trucchi e ispirazioni per far uscire il master della griglia che è in te.

Pronto per l'avventura? Registra il prodotto e unisciti alla community #barbecue!



Per altre informazioni sulla registrazione del prodotto fare riferimento a: www.barbecue.com.



Barbecue rispetta la tua privacy. I tuoi dati non saranno venduti, distribuiti o condivisi con terzi.

2 INFORMAZIONI SUL PRESENTE MANUALE

Il manuale si compone di due parti. La prima è questa sezione descrittiva. Contiene le istruzioni per il montaggio, l'uso e la manutenzione del barbecue. La seconda inizia a pagina 97. Contiene vari tipi di figure:

- Viste esplose, elenchi di componenti e disegni di montaggio dei vari barbecue descritti in questo manuale.
- Figure che illustrano le istruzioni più importanti contenute nella prima parte del manuale.



Nel caso in cui sia disponibile una figura relativa a una particolare istruzione, nell'istruzione stessa è indicato il riferimento alla figura. I riferimenti sono preceduti dall'icona della matita, come quella raffigurata qui a sinistra.

3 ISTRUZIONI IMPORTANTI PER LA SICUREZZA

Leggere le istruzioni prima di utilizzare il barbecue. Seguire sempre attentamente le istruzioni. In caso di montaggio o uso non conforme possono scatenarsi incendi e verificarsi danni materiali.



I danni causati dal mancato rispetto delle istruzioni (montaggio non corretto, uso improprio, manutenzione inadeguata...) non sono coperti dalla garanzia.

- Quando il barbecue è acceso deve sempre essere sorvegliato.
- **ATTENZIONE!** Questo barbecue diventerà molto caldo, non movimentarlo durante il funzionamento.
- Per toccare le parti calde è necessario indossare protezioni adeguate.
- Quando il barbecue è acceso, non avvicinare materiali o liquidi infiammabili e oggetti che possono sciogliersi.
- **ATTENZIONE!** Tenere lontano dai bambini e dagli animali domestici.
- Tenere un secchio pieno d'acqua o di sabbia vicino al barbecue acceso, specialmente in giornate calde e in zone aride.
- Non utilizzarlo in ambiente chiusi.

Usare il barbecue solo all'aperto. L'uso al chiuso, anche se in un garage o in capanno, potrebbe causare avvelenamento da monossido di carbonio.

Per posizionare il barbecue all'aperto:

- Collocare il prodotto a una distanza di almeno tre metri da qualsiasi edificio, in un'area aperta e ben ventilata.
- Assicurarsi che il prodotto non si trovi sotto una struttura (portico, riparo ...) o sotto del fogliame.
- Il barbecue deve essere installato su una solida base a livello prima dell'uso. Non metterlo mai su veicoli in movimento (barche, rimorchi ...).

4 CONCETTI RICORRENTI

In questa sezione sono riportate le definizioni di alcuni concetti poco comuni, utilizzati in varie sezioni di questo manuale.

4.1 Superfici smaltate

Alcune parti del barbecue sono rivestite da uno strato vetrificato, chiamato smalto. La smaltatura protegge il metallo sottostante dalla corrosione. Il materiale dello smalto possiede eccellenti qualità: resiste alla ruggine, non scolorisce alle alte temperature e facilita notevolmente la manutenzione.



Il rivestimento smaltato ha minore flessibilità del metallo sottostante e si potrebbe scheggiare se il barbecue non viene trattato correttamente. Si consiglia di prestare la massima attenzione nel montaggio delle parti smaltate e di eseguire la manutenzione come descritto nel seguito del presente manuale.

5 MONTAGGIO DEL BARBECUE

5.1 Istruzioni per la sicurezza

- Durante il montaggio non apportare alcuna modifica al barbecue. Le modifiche sono molto pericolose e non consentite.
- Seguire sempre attentamente le istruzioni di montaggio.
- L'utilizzatore è responsabile del corretto montaggio del barbecue. I danni causati da un montaggio non corretto non sono coperti da garanzia.

5.2 Montaggio del barbecue

Eseguire il montaggio come mostrato nei disegni.



I disegni di montaggio sono riportati nella seconda parte del manuale, dopo la vista esplosa del barbecue.



Per montare il barbecue non servono utensili particolari. L'utensile per stringere le viti è fornito a corredo del barbecue.

5.3 Prima dell'utilizzo

Collocare il prodotto su una base stabile, piatta e pulita ed accertarsi che la parte inferiore della bombola non sia a contatto con il terreno. I piedini di gomma in dotazione al barbecue hanno una funzione isolante.

6 PREPARAZIONE ALL'USO DEL BARBECUE

Servono carbone, accendifuoco (conformi EN 1860-3) e un fiammifero lungo.

6.1 Carbone da utilizzare

Accendere sempre il barbecue con la carbonella, non usare mai le mattonelle di carbone (briquette). Quando il barbecue è acceso è possibile aggiungere le mattonelle di carbone.

Usare carbone di buona qualità per accendere il barbecue, preferibilmente quello conforme alla normativa EN 1860-2. Il carbone di buona qualità è composto da grandi ciocchi lucidi e non crea molta polvere.



Chiudere adeguatamente il sacco di carbone prima di riporlo. Conservarlo sempre in un luogo asciutto e non tenerlo in cantina.



Al massimo, può essere riempito di carbonella solo il 50% (max.1,2kg) del braciere. Il sovraccarico può danneggiare gravemente il barbecue a causa dell'eccesso di calore.

6.2 Accensione del barbecue



I passaggi principali di questa operazione sono illustrati nella Figura 2 e 3 a pagina 100.

- 1 Poggiare alcuni accendifuoco sul fondo del braciere (Fig. 2 a). Usare solo accendifuoco conformi alla normativa EN 1860-3.
- 2 Coprire gli accendifuoco con il carbone (Fig. 2b).
Suggerimenti:
 - Non usare troppo carbone. Riempire il braciere solo per un terzo.
 - Assicurarsi di poter ancora raggiungere gli accendifuoco.
 - Per l'accensione del barbecue usare ciocchi di carbone piccoli. Quelli grandi vanno aggiunti successivamente.
- 3 Accendere gli accendifuoco con un fiammifero lungo (Fig. 2c).
 - ⚠ Quando si accende il barbecue per la prima volta, lasciar bruciare per 30 minuti. Questa operazione consente di rimuovere eventuali residui di grasso di fabbricazione.
 - ⚠ Attendere prima di posizionare la griglia sul barbecue. La griglia vuota potrebbe deformarsi se tenuta troppo tempo al caldo.
 - ⚠ **ATTENZIONE:** non usare alcol o benzina per accendere o ravvivare la fiamma! Utilizzare solo gli accenditori conformi alla norma EN 1860-3!
- 4 Iniziare a cucinare solo quando il combustibile ha formato uno strato superficiale di cenere. Normalmente occorrono 15 minuti (Fig. 2d).
- 5 Poggiare la griglia sul barbecue, con i supporti sui ganci del braciere del carbone. Disporre sempre la griglia in questa posizione quando si usa il barbecue.



Per riporre il barbecue, disporre i supporti della griglia vicino ai ganci del braciere del carbone (Fig. 3 a pagina 100). Con la griglia in posizione bassa, si può aggiungere il coperchio sul barbecue. Vedere anche "8.3 Conservazione del barbecue".



Il carbone può essere acceso anche con lo starter Barbecook. Quando il carbone è pronto, versarlo direttamente dallo starter nel braciere del barbecue (Fig. 1, pagina 100).

7 CONSIGLI E SUGGERIMENTI UTILI

7.1 Come evitare di bruciare i cibi

Per evitare di bruciare i cibi, non iniziare mai la cottura sulla griglia se nel braciere ci sono ancora le fiamme. Attendere fino a quando il carbone è ricoperto da un sottile strato di cenere bianca.

7.2 Come evitare che i cibi si attacchino

Per evitare che i cibi si attacchino alla griglia:

- Ungerli leggermente con un pennellino prima di appoggiarli sulla griglia. È possibile spennellare anche la stessa griglia.
- Non girare troppo spesso i cibi. Attendere che si scaldino.

7.3 Per evitare le vampate

Le vampate sono fiamme alte e improvvise che salgono dal braciere mentre si sta grigliando. Sono provocate in genere dal gocciolamento del grasso o della marinatura.

Durante l'utilizzo del barbecue, alcune vampate sono normali. Tuttavia se le vampate sono eccessive, la temperatura nel braciere aumenta e il grasso accumulato potrebbe prendere fuoco. Per evitare le vampate:

- Prima di iniziare a grigliare verificare che il braciere sia pulito. Si consiglia di pulire il braciere dopo ogni utilizzo.
- Rimuovere l'eccesso di grasso e di marinatura dalla carne. Per le carni grasse e/o marinate si può usare anche una teglia da barbecue.

8 MANUTENZIONE DEL BARBECUE

8.1 Pulizia del braciere



I passi principali di questa operazione sono illustrati nella Figura 4 a pagina 101.

Si consiglia di pulire il braciere dopo ogni utilizzo. Grazie al contenitore della cenere l'operazione è rapidissima. Procedere nel modo seguente:

- 1 Lasciar freddare completamente il barbecue e rimuovere la griglia.
- 2 Rimuovere la griglia inferiore dal braciere e spazzolare la cenere dentro al tubo (Fig. 4a).
- 3 Sollevare il contenitore della cenere dal braciere (Fig. 4b) e versare la cenere in un secchio (Fig. 4c).
- 4 Rimontare il contenitore della cenere e la griglia inferiore sul braciere.
- 5 Rimontare la griglia sul barbecue (nella posizione più bassa) e mettere il coperchio sul barbecue (Fig. 4d).

8.2 Pulizia della griglia

Si raccomanda di pulire la griglia dopo ogni uso utilizzando un detergente Barbecook.



La griglia può anche essere pulita utilizzando con un detergente delicato o del bicarbonato di sodio. Non utilizzare mai detergenti per forno per pulire la griglia.

8.3 Conservazione del barbecue

Riporre il barbecue ogni volta che si utilizza. Procedere nel modo seguente:

- 1 Pulire il braciere e la griglia. Vedere "8.1 Pulizia del braciere" e "8.2 Pulizia della griglia"
- 2 Inserire la griglia nel barbecue, nella posizione più bassa.
- 3 Coprire il barbecue con il coperchio.
- 4 Riporre il barbecue in un luogo asciutto (al chiuso, sotto una tettoia, ecc.).

8.4 Come limitare la formazione di ruggine

L'anello superiore del cilindro ha la tendenza ad arrugginirsi. Per rallentare questo processo, ungere l'anello con olio di girasole.

i La ruggine non dovrebbe danneggiare il cilindro. Se piace l'aspetto solido, non c'è bisogno di oliare il cilindro.

8.5 Cura delle parti smaltate, in acciaio inossidabile, cromate e verniciate a polvere

Il barbecue è composto da parti smaltate, in acciaio inossidabile, cromate e verniciate a polvere. Ciascun materiale richiede un diverso tipo di manutenzione:

Materiale	Manutenzione da eseguire
Superfici smaltate	<ul style="list-style-type: none">• Non usare oggetti appuntiti e non battere contro le superfici dure.• Evitare il contatto con liquidi freddi quando la superficie è ancora calda.• È possibile usare spugne e detergenti abrasivi.
Acciaio inossidabile e cromature	<ul style="list-style-type: none">• Evitare pulitori aggressivi, abrasivi o detergenti per metalli.• Usare detergenti delicati e lasciarli agire sull'acciaio.• Pulire con una spugna morbida o un panno.• Sciacquare abbondantemente dopo la pulizia e asciugare bene prima di riporre.
Verniciato a polvere	<ul style="list-style-type: none">• Non usare oggetti appuntiti. Pulire con detergenti delicati e usare una spugna morbida o un panno.• Sciacquare abbondantemente dopo la pulizia e asciugare bene prima di riporre.

⚠ Gli eventuali danni causati dal mancato rispetto di queste istruzioni vengono considerati come manutenzione non corretta e non sono coperti dalla garanzia.

Nella seconda parte del manuale, sotto alla vista esplosa del barbecue, è riportato un elenco di tutti i componenti. Nell'elenco appaiono anche i simboli che identificano il materiale di ciascun componente. Può quindi essere utilizzato per verificare come eseguire la manutenzione delle singole parti. Per l'elenco delle parti si usa la seguente simbologia:

Simbolo	Materiale
●	Superfici smaltate
▲	Cromature

Simbolo	Materiale
■	Acciaio inossidabile
★	Verniciato a polvere

8.6 Ordinazione di ricambi

Le parti esposte direttamente al fuoco o al calore intenso vanno sostituite di tanto in tanto. Per ordinare un ricambio:

- 1 Cercare il numero di riferimento del ricambio necessario. I numeri di riferimento sono riportati nell'elenco sotto alle viste esplose nella seconda parte del manuale e sul sito www.barbecook.com.



Se hai registrato il tuo apparecchio online, sarai automaticamente guidato nel corretto elenco dei ricambi, nel tuo account MyBarbecook. E li hai la possibilità di ordinare i tuoi pezzi di ricambio, direttamente online.

- 2 Ordina i tuoi ricambi su www.barbecook.com. Se i ricambi sono in garanzia, puoi ordinarli solo nel tuo punto vendita, dove hai acquistato il tuo barbecue.

9 GARANZIA

9.1 Difetti coperti

Il barbecue è coperto da una garanzia di due anni, a partire dalla data di acquisto. La garanzia copre tutti i difetti di fabbricazione, a condizione che:

- Uso, montaggio e manutenzione vengano eseguiti secondo le istruzioni del presente manuale. I danni provocati da uso improprio, montaggio non corretto o manutenzione non sufficiente non sono considerati difetti di fabbricazione.
- Si presenti la ricevuta d'acquisto del barbecue.
- Il Reparto qualità di Barbecook verificherà l'eventuale presenza di difetti e, in tal caso, che il barbecue sia stato montato e utilizzato correttamente e che sia stata eseguita un'adeguata manutenzione.

In mancanza di una delle condizioni suddette, i danni saranno a carico del cliente. In tutti i casi la garanzia si limita alla riparazione o alla sostituzione della parte/delle parti difettose.

9.2 Difetti non coperti

I seguenti danni e difetti non sono coperti dalla garanzia:

- Normale deterioramento (ruggine, deformazioni, scolorimento...) delle parti esposte direttamente alle fiamme o a calore intenso. È normale sostituire queste parti di tanto in tanto.
- Irregolarità visibili, inevitabilmente dovute al processo di fabbricazione. Queste irregolarità non sono considerate difetti di fabbrica.
- Tutti i danni provocati da manutenzione insufficiente, conservazione scorretta, montaggio improprio o modifiche apportate alle parti preassemblate.
- Tutti i danni provocati da uso improprio e abuso del barbecue (uso diverso da quanto indicato nelle istruzioni del presente manuale, uso a fini commerciali...).
- Tutti i danni indiretti provocati da incuria o da uso non conforme del barbecue.
- Ruggine o scolorimento dovuto ad agenti esterni, uso di detergenti aggressivi, esposizione a cloro... Questi danni non sono considerati difetti di fabbrica.

PT - MANUAL DO UTILIZADOR

1 REGISTRAR O SEU APARELHO

Obrigado por adquirir um produto Barbecue! Poderá explorar um novo mundo, seja na paz e tranquilidade da natureza ou no meio da agitação da cidade. Torne-se um mestre do churrasco na nossa comunidade #barbecue e deixe-nos colocar suas habilidades em destaque.

Registo o seu aparelho Barbecue online e obtenha alguns benefícios

- Terá acesso ao manual do utilizador completo e poderá conhecer o seu aparelho em detalhe.
- Beneficiará de um serviço personalizado de pós-venda, que lhe permite encontrar rapidamente peças sobresselentes e desfrutar de um serviço ideal de assistência em garantia.
- Iremos oferecer-lhe informações sobre atualizações de produtos, sugestões, truques e ideias “grillspiration” para revelar o mestre do churrasco que há em si.

Preparado para uma aventura? Registe o seu produto e junte-se à comunidade #barbecue!



Para mais informações sobre o registo do seu aparelho, visite www.barbecue.com.



A Barbecue respeita a sua privacidade. Os seus dados não serão vendidos, distribuídos ou partilhados com terceiros.

2 ACERCA DO PRESENTE MANUAL

O presente manual é composto por duas partes. A primeira parte é aquela que está agora a ler. Inclui instruções para a montagem, utilização e manutenção do seu aparelho. A segunda parte começa na página 97. Inclui todo o tipo de ilustrações:

- Vistas expandidas, listas de peças e desenhos de montagem dos aparelhos descritos neste manual.
- Ilustrações que suportam as instruções mais importantes da primeira parte do manual.



Se existir uma ilustração disponível para uma instrução em particular encontra uma referência a essa ilustração na instrução. Estas referências são precedidas pelo ícone de um lápis, como o que vê aqui à esquerda.

3 INSTRUÇÕES DE SEGURANÇA IMPORTANTES

Leia as instruções antes de utilizar o aparelho. Siga sempre cuidadosamente as instruções. A montagem ou utilização do aparelho de forma diferente ao indicado pelas instruções pode causar incêndios e danos materiais.



Os danos causados pelo incumprimento das instruções (montagem imprópria, utilização incorreta, manutenção inadequada...) não estão cobertos pela garantia.

- Não deixe o aparelho sem supervisão durante a sua utilização.
- AVISO! O aparelho fica extremamente quente; não o desloque durante a utilização.
- Utilize uma proteção adequada quando manusear peças quentes.
- Mantenha materiais inflamáveis, líquidos inflamáveis e objetos dissolúveis afastados de um aparelho em utilização.

- AVISO! Mantenha as crianças e os animais afastados do aparelho em utilização.
- Mantenha um balde de água ou areia à mão quando utilizar o aparelho, especialmente em dias muito quentes e em áreas secas.
- AVISO! Não o utilize dentro de casa.

Utilize o aparelho apenas ao ar livre. A utilização do aparelho em espaços interiores, mesmo que numa garagem ou barracão pode causar envenenamento por monóxido de carbono.

Quando seleccionar um local ao ar livre:

- Coloque o aparelho a pelo menos três metros de qualquer edifício, numa área aberta e bem ventilada.
- Certifique-se de que o aparelho não se encontra sob uma estrutura suspensa (um alpendre, um abrigo...) ou sob folhagem.
- O barbecue deve ser instalado numa base nivelada antes de ser utilizado. Nunca o coloque num veículo em movimento (um barco, um atrelado...).

4 CONCEITOS RECORRENTES

Esta parte inclui definições de alguns conceitos menos familiares. Estes conceitos são utilizados em diversos tópicos do manual.

4.1 Esmalte

Algumas peças do aparelho estão cobertas com uma camada de vidro fundido, denominado esmalte. Este esmalte protege o metal subjacente contra corrosão. O esmalte é um material de elevada qualidade: é resistente a ferrugem, não desaparece sob a influência de temperaturas altas e é muito fácil de manter.



Devido ao facto de o esmalte ser menos flexível do que o metal coberto, é possível que pedaços de esmalte lasquem quando manuseia o aparelho de forma incorreta. De modo a evitar problemas, tenha cuidado quando estiver a montar peças esmaltadas e mantenha sempre o esmalte conforme descrito mais adiante no presente manual.

5 MONTAR O APARELHO

5.1 Instruções de segurança

- Não modifique o aparelho quando estiver a montá-lo. É muito perigoso e não é permitido alterar peças do aparelho.
- Siga sempre cuidadosamente as instruções de montagem.
- O utilizador é responsável pela montagem correta do aparelho. Os danos causados pela montagem imprópria não são cobertos pela garantia.

5.2 Para montar o aparelho

Monte o aparelho conforme ilustrado nos desenhos de montagem.



Os desenhos de montagem encontram-se na segunda parte do presente manual, após a vista expandida do seu aparelho.



Não precisa de ferramentas especiais para montar o aparelho. A ferramenta para apertar os parafusos é fornecida com o aparelho.

5.3 Antes de cada utilização

Coloque o aparelho numa base estável, nivelada e limpa e certifique-se de que o fundo do barril não toca no solo. Os pés de borracha que do barbecue têm uma função de isolamento.

6 PREPARAR O APARELHO

Precisa de carvão, acendalhas (em conformidade com a norma EN 1860-3) e um fósforo comprido.

6.1 Que tipo de carvão devo usar?

Acenda sempre o seu aparelho com carvão tradicional, nunca com briquetes. Assim que o aparelho estiver aceso pode adicionar briquetes.

Utilize carvão de boa qualidade para acender o aparelho, preferencialmente em conformidade com a norma EN 1860-2. O carvão de boa qualidade é composto por blocos grandes e brilhantes e não largam muito pó.

 Feche o seu saco de carvão adequadamente antes de guardá-lo. Guarde-o sempre num local seco, não o guarde numa cave.

 Deve colocar carvão até no máximo 50% (max.1,2kg) do recipiente. Se encher demasiado o recipiente poderá danificar seriamente o barbecue devido ao calor intenso.

6.2 Acender o aparelho

 Os passos principais desta tarefa estão ilustrados nas Figuras 2 e 3, na página 100.

- 1 Coloque algumas acendalhas no fundo da taça (Fig. 2a). Utilize apenas acendalhas que cumpram a norma EN 1860-3.
- 2 Cubra as acendalhas com carvão (Fig. 2b). Dicas:
 - Não utilize demasiado carvão. Apenas um terço da taça deve ser cheio.
 - Certifique-se de que ainda consegue chegar às acendalhas.
 - Utilize pedaços pequenos de carvão para acender o aparelho. Pode adicionar blocos maiores posteriormente.
- 3 Acenda as acendalhas com um fósforo comprido (Fig. 2c).

 Quando utilizar o aparelho pela primeira vez, deixe-o funcionar aceso durante 30 minutos. Isto remove quaisquer massas lubrificantes de fabrico residuais do aparelho.

 Não coloque ainda o grelhador no aparelho. Um grelhador vazio pode deformar quando mantido no calor durante muito tempo.

 AVISO! Não utilize álcool ou gasolina para acender ou reacender o aparelho! Utilize acendalhas apenas em conformidade com a norma EN 1860-3.

4 Pode começar a grelhar quando o carvão estiver coberto com uma camada fina de cinzas brancas. Normalmente isso demora cerca de 15 minutos (Fig. 2d).

5 Coloque a grelha sobre o aparelho, com os apoios sobre os ganchos da taça do carvão. Coloque a grelha sempre nesta posição quando utilizar o aparelho.

 Quando pretender guardar o aparelho, coloque os apoios da grelha ao lado dos ganchos da taça do carvão (Fig. 3, na página 100). Quando a grelha está na posição inferior, pode colocar a tampa sobre o aparelho. Consulte também “8.3 Guardar o aparelho”.

 Também pode acender o carvão no acendedor de carvão Barbecue. Quando o carvão estiver pronto, basta virê-lo do acendedor de carvão para a taça do aparelho (Fig. 1, página 100).

7 DICAS E CONSELHOS ÚTEIS

7.1 Evitar que os alimentos queimem

Para evitar que os alimentos queimem, nunca comece a grelhar quando ainda existirem chamas na taça. Aguarde que o carvão fique coberto por uma fina camada de cinza branca.

7.2 Evitar que os alimentos fiquem agarrados

Para evitar que os alimentos fiquem agarrados à grelha:

- Unte os alimentos com óleo utilizando um pincel antes de colocá-los na grelha. Também pode olear o próprio grelhador.
- Não vire os alimentos muito rapidamente. Deixe-os primeiramente apanharem algum calor.

7.3 Evitar chamas descontroladas:

As acendalhas são chamas repentinas que causam faísca a partir da taça quando está a grelhar. Geralmente são causadas pela queda de gordura ou marinada.

Quando estiver a grelhar, é natural que ocorram algumas chamas descontroladas. Contudo, demasiadas chamas descontroladas aumentam a temperatura na taça e podem incendiar gordura acumulada. Para evitar chamas descontroladas:

- Certifique-se de que a taça está limpa antes de começar a grelhar. Recomendamos que limpe o aparelho após cada utilização.
- Remova o excesso de gordura e marinada da carne. Também pode utilizar uma frigideira para grelhar carne gordurosa e/ou marinada.

8 MANUTENÇÃO DO APARELHO

8.1 Limpar a taça

 Os passos principais desta tarefa estão ilustrados na Figura 4, na página 101.

Recomendamos que limpe o aparelho após cada utilização. Com o recipiente das cinzas, isto é feito em pouco tempo. Proceda do seguinte modo:

- 1 Permita que o aparelho arrefeça totalmente e remova a grelha.
- 2 Remova a grelha inferior da taça e varra as cinzas para o recipiente das cinzas (Fig. 4a).
- 3 Levante o recipiente das cinzas para fora da taça (Fig. 4b) e verta as cinzas para um balde (Fig. 4c).
- 4 Volte a colocar o recipiente das cinzas e a grelha inferior na taça.
- 5 Volte a colocar a grelha no aparelho (na posição mais baixa) e coloque a tampa sobre o aparelho (Fig. 4d).

8.2 Limpar o grelhador

Recomendamos que limpe a grelha após cada utilização, com um produto de limpeza Barbecue.

 Pode também limpar a grelha com um detergente suave ou com bicarbonato de sódio. Nunca utilize produtos de limpeza de fornos na grelha.

8.3 Guardar o aparelho

Guarde o aparelho após cada utilização. Proceda do seguinte modo:

- 1 Limpe a taça e a grelha. Consulte “8.1 Limpar a taça” e “8.2 Limpar o grelhador”
- 2 Coloque a grelha na posição mais baixa do aparelho.
- 3 Coloque a tampa sobre o aparelho.
- 4 Guarde o aparelho num local seco (espaço interior, sob um abrigo...).

8.4 Limitar a formação de ferrugem

O anel superior do barril tem tendência para ganhar alguma ferrugem. Para atrasar este processo, pode olear o anel com óleo de girassol.

i A ferrugem não danifica o barril. Se preferir um aspeto oxidado, não precisa de olear o barril.

8.5 Manutenção das peças esmaltadas, peças de inox, peças cromadas e peças revestidas a pó

O aparelho é composto por peças esmaltadas, peças de aço inoxidável, peças cromadas e peças revestidas a pó. Cada material tem de ser mantido de forma diferente:

Material	Como manter este material
Esmalte	<ul style="list-style-type: none">• Não utilize objetos afiados e não bata contra uma superfície dura.• Evite o contacto com líquidos frios quando ainda estiver quente.• Pode utilizar esponjas de metal e detergentes abrasivos.
Aço inoxidável e cromado	<ul style="list-style-type: none">• Não utilize detergentes agressivos, abrasivos ou de metal.• Utilize detergentes suaves e deixe-os atuar no aço.• Utilize uma esponja ou pano macios.• Enxagúe bem após limpar e seque bem antes de guardar.
Revestimento de pó	<ul style="list-style-type: none">• Não utilize objetos afiados. Utilize detergentes suaves e uma esponja ou pano macios.• Enxagúe bem após limpar e seque bem antes de guardar.

⚠ Os danos causados pelo incumprimento destas instruções são considerados como manutenção inadequada e não são cobertos pela garantia.

Por baixo da vista expandida do seu aparelho (segunda parte do manual) encontra uma lista com todas as peças que compõem o aparelho. Esta lista inclui um símbolo que especifica o material de cada peça, pelo que pode utilizá-la para verificar como tem de manter uma peça em particular. A lista de peças utiliza os seguintes símbolos:

Símbolo	Material
●	Esmalte
▲	Cromado
■	Aço inoxidável
★	Revestimento de pó

8.6 Encomendar peças sobresselentes

As peças que estão diretamente expostas ao fogo ou calor intenso devem ser substituídas regularmente. Para encomendar uma peça sobresselente:

- 1 Consulte o número de referência da peça que precisa. Pode encontrar uma lista de todos os números de referência abaixo das vistas expandidas na segunda parte deste manual e em www.barbecook.com.
-  Se registou o seu produto online, será automaticamente direcionado para a lista correta na sua conta MyBarbecook. Aí terá a possibilidade de encomendar as suas peças online.
- 2 Encomende a peça sobresselente através da página www.barbecook.com ou no seu ponto de venda. As peças sob garantia podem ser encomendadas apenas no seu ponto de venda

9 GARANTIA

9.1 Coberto

O seu aparelho é fornecido com uma garantia de dois anos, a qual entra em vigor a partir da data de aquisição. Esta garantia cobre todas as anomalias de fabrico, desde que:

- tenha utilizado, montado e mantido o seu aparelho de acordo com as instruções do presente manual. Os danos causados pela utilização incorreta, montagem incorreta ou manutenção inadequada não são considerados como anomalias de fabrico.
- Pode apresentar o recibo do seu aparelho.
- O Barbecook departamento da qualidade confirma que as peças estão anómalas e que foram demonstraram estarem anómalas mediante utilização normal, montagem correta e manutenção adequada.

Se uma das condições acima não for cumprida, não pode reclamar qualquer tipo de contributo. Em todo o caso, a garantia limita-se à reparação ou substituição da(s) peça(s) anómala(s).

9.2 Não coberto

Os seguintes danos e anomalias não estão cobertos pela garantia:

- Desgaste normal (ferrugem, distorção, descoloração...) das peças diretamente expostas ao fogo ou calor intenso. É normal substituir estas peças esporadicamente.
- Irregularidades visuais inerentes ao processo de fabrico. Estas irregularidades não são consideradas como anomalias de fabrico.
- Todos os danos causados por manutenção inadequada, armazenamento incorreto, montagem imprópria ou modificações efetuadas em peças pré-montadas.
- Todos os danos causados por utilização incorreta e abuso do aparelho (não utilizado de acordo com as instruções constantes neste manual, utilizá-lo para fins comerciais...).
- Todos os danos consequentes causados por utilização descuidada ou não-conforme do aparelho.
- Ferrugem ou descoloração causadas por influências externas, a utilização de detergentes agressivos, exposição ao cloro... Estes danos não são considerados como anomalias de fabrico.

SV - BRUKSANVISNING

1 REGISTRERA DIN APPARAT

Tack för att du köpt en Barbecook apparat! En helt ny värld väntar på dig att utforska, oavsett om det är i lugn och ro i naturen eller stress och jäkt i staden. Bli en grillmästare i vår #barbecook gemenskap och lås oss belysa dina grillkunskaper.

Registrera din Barbecook apparat online och få några betydande fördelar:

- Du får åtkomst till den fullständiga bruksanvisningen och kommer att lära känna alla delar av din apparat.
- Du får fördel av den personanpassad service efter försäljning vilket gör att du snabbt kan hitta reservdelar och kan utnyttja en optimal garantiservice.
- Vi informerar dig om produktuppdateringar och ger dig tips, tricks och grillinspiration för att locka fram grillmästaren i dig.

Är du redo för ett äventyr? Registrera din produkt och gå med i #barbecook gemenskapen!



För ytterligare information om registreringen av din apparat, se www.barbecook.com.



Barbecook respekterar din sekretess. Dina data kommer inte att säljas, distribueras eller delas med tredje part.

2 OM DENNA BRUKSANVISNING

Denna bruksanvisning består av två delar. Den första delen är den du läser nu. Den innehåller instruktioner för montering, användning och underhåll av din produkt. Den andra delen börjar på sidan 97. Den innehåller olika sorters illustrationer:

- Sprängskisser, reservdelslistor och monteringsritningar för produkten som beskrivs i denna bruksanvisning.
- Bilder som understödjer de mest viktiga instruktionerna i bruksanvisningens första del.



Om det finns en bild tillgänglig för en särskild instruktion kommer du att finna en referens till den bilden i instruktionen. Dessa referenser föregås av en pennikon, samma som den du ser här till vänster.

3 VIKTIGA SÄKERHETSINSTRUKTIONER

Läs instruktionerna innan du använder produkten. Följ alltid instruktionerna noggrant. Att montera eller använda produkten på annat sätt kan orsaka bränder eller materiell skada.



Skador som orsakas av att instruktionerna inte följts (oriktig montering, felaktig användning, otillräckligt underhåll...) omfattas inte av garantin.

- Lämna inte produkten utan uppsikt när den används.
- **WARNING!** Produkten kan bli mycket varm. Flytta den inte under användning.
- Använd lämpligt skydd vid hantering av varma delar.
- Håll antändliga material, antändliga vätskor och lösliga föremål borta från produkten när den används.
- **WARNING!** Håll barn och husdjur borta från en produkt som används. **Aviso!** Não o utilize dentro de casa.
- Ha en hink med vatten eller sand till hands vid användning av produkten, särskilt på väldigt varma dagar i torra områden.
- **WARNING!** Använd inte grillen inomhus.

Använd produkten endast utomhus. Användning av den inomhus, även i ett garage eller skjul kan orsaka koloxidförgiftning.

När en plats utomhus väljs, gör alltid följande:

- Placera apparaten minst tre meter från någon byggnad, på en öppen och väl ventilerad plats.
- Se till att apparaten inte befinner sig under någon överhängande struktur (en veranda, ett tak ...) eller under lövverk.
- Grillen måste installeras på en fast och jämn bas innan användning. Placera aldrig den på ett fordon i rörelse (en båt, ett släp...).

4 ÅTERKOMMANDE BEGREPP

Denna del innehåller definitioner av några begrepp som är mindre bekanta. Dessa begrepp används i flertalet beskrivningar i bruksanvisningen.

4.1 Emalj

En del av produkten är täckt av ett lager med smält glas som kallas emalj. Denna emalj skyddar den underliggande metallen från korrosion. Emalj är ett högkvalitativt material: Det är motståndskraftigt mot rost, bleknar inte av påverkan från höga temperaturer och är väldigt enkelt att underhålla.



Eftersom emaljen är mindre flexibel än metallen den täcker, kan bitar av emalj lossna när du inte hanterar produkten korrekt. För att undvika problem, var försiktig vid montering av emaljerade delar och underhåll alltid emaljen enligt hur det beskrivs längre fram i denna bruksanvisning.

5 MONTERA PRODUKTEN

5.1 Säkerhetsinstruktioner

- Modifiera inte produkten vid montering. Det är mycket farligt och inte tillåtet att ändra produktens delar.
- Följ alltid monteringsanvisningarna noggrant.
- Användaren är ansvarig för korrekt montering av produkten. Skador orsakade av oriktig montering omfattas inte av garantin.

5.2 Att montera produkten

Montera produkten såsom visas på monteringsritningarna.



Du finner monteringsritningarna i den andra delen av denna bruksanvisning, efter sprängskissen över din produkt.



Du behöver inga specialverktyg vid montering av produkten. Verkyget för att dra åt skruvarna ingår med produkten.

5.3 Före varje användning

Placera utrustningen på ett stadigt, jämnt och rent underlag, och kontrollera att tunnan inte har kontakt med marken. Gummifötterna på grillen har en isolerande funktion.

6 FÖRBEREDA GRILLEN FÖR ANVÄNDNING

Du behöver kol, tändblock (som överensstämmer med EN 1860-3) och en lång tändsticka.

6.1 Vilket kol ska jag använda?

Tänd alltid din produkt med vanligt kol, aldrig med briketter. När produkten är tänd kan du tillsätta briketter.

Använd bra kvalitetskol till att tända produkten, helst ska de vara i överensstämmelse med EN 1860-2. Bra kvalitetskol består av stora, glänsande stycken och avger inte mycket damm.

 Stäng påsen med kol ordentligt innan förvaring. Förvara alltid på en torr plats, förvara inte i källare.

 Max 50 % (max 1,2 kg) av skålen skall fyllas med grillkol. Överfyllnad av skålen kan skada grillen allvarligt på grund av den kraftiga hetten.

6.2 Tända produkten

 De huvudsakliga stegen för denna uppgift visas i Bild 2 och 3, på sidan 100.

1 Placera några tändblock i botten av skålen (Bild 2a). Använd bara tändblock som uppfyller standarden EN 1860-3.

2 Täck tändblocken med träkol (Bild 2b). Tips:

- Använd inte för mycket kol. Skålen ska bara vara fylld till en tredjedel.
- Se till att du fortfarande kommer åt tändblocken.
- Använd små bitar av kol för att tända produkten. Du kan lägga till större stycken senare.

3 Tag en lång tändsticka och tänd tändblocken (Bild 2c).

 När produkten används för första gången, låt det brinna under 30 minuter. Det tar bort allt kvarvarande tillverkningsfett från produkten.

 Placera inte grillen på produkten ännu. En tom grill kan deformeras om den utsätts för värmen för länge.

 **WARNING!** Använd inte sprit eller bensin för att tända eller återtända produkten. Använd bara tändblock som uppfyller standarden EN 1860-3.

4 Du kan börja grilla när kolet är täckt med ett tunt lager aska. Vanligtvis tar detta ungefär 15 minuter (Bild 2d).

5 Placera gallret på produkten genom att lägga dess stöd mot hakarna på kolkärlet. Placera alltid gallret på detta sätt när produkten används.

 Placera gallerstöden bredvid kolkärlets hakar vid förvaring av produkten (Bild 3, på sidan 100). Det går att lägga på locket på produkten när grillen är sänkt till det lägsta läget. Se även "8.3 Förvaring av produkten".

 Du kan även tända träkol med Barbecue kolstartaren. När träkolet är klart för användning kan du hålla ut det ur kolstartaren i kolkärlet (Bild. 1, sidan 100).

7 ANVÄNDBARA TIPS OCH ANVÄNDNINGSSÄTT

7.1 Förhindra att mat bränns vid

För att förhindra att maten bränns bör du aldrig börja grilla medan det fortfarande finns flammor i skålen. Vänta till dess kolet är täckt med ett tunt lager av vit aska.

7.2 Förhindra att mat fastnar

För att förhindra att din mat fastnar på grillen:

- Olja in maten lätt med en borste innan den läggs på grillen. Du kan också olja in själva grillen.
- Vänd inte på maten för snabbt. Låt den bli aningen varm först.

7.3 Att undvika höga lågor

Höga lågor är plötsliga flammor som antänds från skålen vid grillning. Det beror ofta på att det droppar fett eller marinad.

Vid grillning är det normalt med en del höga lågor. För många höga lågor ökar dock temperaturen i skålen och kan antända fett som ansamlats. För att undvika höga lågor:

- Tillse att skålen är ren innan du börjar grilla. Vi rekommenderar rengöring av skålen efter varje användning.
- Ta bort överflödigt fett och överflödiga marinad från köttet. Du kan också använda en grillplåt för fett och/eller marinerat kött.

8 UNDERHÅLLA PRODUKTEN

8.1 Rengöra skålen

 De huvudsakliga stegen för denna uppgift visas i Bild 4, på sidan 101.

Vi rekommenderar rengöring av skålen efter varje användning. Med askbehållaren är detta gjort på nolltid. Gör så här:

- 1 Låt produkten kallna helt och avlägsna grillen.
- 2 Ta bort det nedre gallret från skålen och borsta askan in i askbehållaren (Bild 4a).
- 3 Lyft av askbehållaren ur skålen (Bild 4b) och håll av askan i en hink (Bild 4c).
- 4 Sätt tillbaka askbehållaren och nedre gallret i skålen.
- 5 Sätt tillbaka grillen på produkten (i den lägsta positionen) och sätt på överdraget på produkten (Bild 4d).

8.2 Rengöra grillen

Vi rekommenderar att grillen rengörs efter varje grillning med en Barbecue rengöring.

 Du kan också göra rent grillen med ett mjukt rengöringsmedel eller med natriumbikarbonat. Använd aldrig ugnsgöring på grillen.

8.3 Förvaring av produkten

Ställ undan produkten efter varje användning. Gör så här:

- 1 Rengör skålen och grillen. Se "8.1 Rengöra skålen" och "8.2 Rengöra grillen"
- 2 Sätt tillbaka grillen på produkten, i den lägsta positionen.
- 3 Sätt på överdraget på produkten.
- 4 Förvara produkten på en torr plats (inomhus, under ett skydd...).

8.4 Förhindra att det bildas rost

Den övre ringen har en tendens att rosta lite. För att förhindra rostbildning kan du olja in ringen med solrosolja.

i Rosten påverkar inte tunnan. Om du vilja ha ett robust utseende behöver du inte olja in tunnan.

8.5 Underhåll av emaljdelar, delar av rostfritt stål och krom samt sprejade delar

Produkten består av emaljdelar, delar av rostfritt stål samt krom- och sprejade delar. De olika materialen underhålls på olika sätt:

Material	Hur detta material underhålls
Emalj	<ul style="list-style-type: none">Använd inte vassa föremål och slå inte mot en hård yta.Undvik kontakt med kalla vätskor när den fortfarande är varm.Du kan använda metallsvampar eller rengöringsmedel med poler-/slipeffekt.
Rostfritt stål och krom	<ul style="list-style-type: none">Använd inte rengöringsmedel som är aggressiva, har poler-/slipeffekt eller är avsedda för metaller.Använd milda rengöringsmedel och låt dem verka på stålet.Använd en mjuk svamp eller trasa.Skölj noga efter rengöring och torka ordentligt innan förvaring.
Sprejad	<ul style="list-style-type: none">Använd inga vassa föremål. Använd svaga rengöringsmedel och en mjuk svamp eller duk.Skölj noga efter rengöring och torka ordentligt innan förvaring.

⚠ Skador som orsakas av att dessa instruktionerna inte följts betraktas som otillräckligt underhåll och omfattas inte av garantin.

Under sprängskissen för din produkt (bruksanvisningens andra del) hittar du en lista över alla delar som produkten är sammansatt av. Denna lista innehåller en symbol som specificerar materialet för varje del så att du kan använda den för att kontrollera hur du behöver underhålla en specifik del. Listan över delar använder följande symboler:

Symbol	Material
●	Emalj
▲	Krom
■	Rostfritt stål
★	Sprejad

8.6 Beställa reservdelar

Delar som utsätts för direkt eld eller intensiv hetta bör bytas från tid till annan. Beställa en reservdel:

1 Leta reda på referensnumret till den del som du behöver. Du hittar en lista med alla referensnummer nedanför sprängskissen i den andra delen av denna bruksanvisning och på www.barbecuecook.com.

💡 Om du registrerat din apparat online kommer du automatiskt att visas till korrekt lista i ditt MyBarbecuecook-konto. Där har du möjlighet att beställa dina delar online.

2 Beställ reservdelarna via www.barbecuecook.com eller på ditt försäljningsställe. Garantidelar kan endast beställas på ditt försäljningsställe.

9 GARANTI

9.1 Omfattas

Din produkt har två års garanti från och med inköpsdatum. Garantin omfattar alla tillverkningsfel, förutsatt att:

- Du använde, monterade och underhöll din produkt i enlighet med instruktionerna i denna bruksanvisning. Skador som orsakats av felaktig användning, oriktig montering eller otillräckligt underhåll betraktas inte som tillverkningsfel.
- Du kan visa upp kvitto för din produkt.
- Barbecuecook-kvalitetsavdelning bekräftar att delarna är defekta och befunnits vara så vid normal användning, riktig montering och tillräckligt underhåll.

Om inte ovanstående krav motsvaras kan du inte begära någon form av ersättning. I alla fall är garantin begränsad till att omfatta reparation eller utbyte av defekt(a) del(ar).

9.2 Omfattas inte

Följande skador och defekter omfattas inte av garantin:

- Normalt slitage (rost, förvridning, missfärgning...) av delar som direkt utsätts för eld eller stark värme. Det är normalt att byta ut dessa delar då och då.
- Synliga ojämnheter som beror på tillverkningsprocessen. Dessa ojämnheter är inte att betrakta som tillverkningsfel.
- Alla skador orsakade av otillräckligt underhåll, felaktig förvaring, oriktig montering eller att förmonterade delar har modifierats.
- Alla skador orsakade av felaktig användning och missbruk av produkten (inte använd i enlighet med instruktionerna i denna bruksanvisning, användning i kommersiella syften...).
- Alla följskador vars orsak är att produkten använts oaktsamt eller för andra syften än de avsedda.
- Rost och missfärgning orsakat av yttre påverkan, användning av aggressiva rengöringsmedel, klorexponering... Dessa skador är inte att betrakta som tillverkningsfel.

DA - BRUGERVEJLEDNING

1 REGISTER DIT APPARAT

Tak, for købet af dit Barbecook-apparat! Du har nu en helt ny verden, der venter på at blive udforsket, hvad enten det er i fred og ro i naturen eller midt i trængslen og travlheden i byen. Bliv en grillmester i vores #barbecuek samfund, og lad os kaste lidt lys på dine grillfærdigheder.

Registrer dit Barbecook-apparat online, som giver dig følgende fordele:

- Du får adgang til hele brugervejledningen, og lær dit apparat bedre at kende.
- Du får en personlig eftersalgsservice, så du hurtigt kan finde reservedele og drage fordel af en optimal garantitjeneste.
- Vi oplyser dig, om produktopdateringer og giver dig tips, tricks og grillspiration, så du kan finde din indre grillmester.

Er du klar til et eventyr? Registrer dit produkt, og vær med i #barbecuek fællesskabet!

 For flere oplysninger om registrering af dit apparat, bedes du se www.barbecuek.com.

 Barbecuek respekterer dit privatliv. Vi hverken sælger, distribueres eller deler dine oplysninger med tredjeparter.

2 OM DENNE VEJLEDNING

Denne vejledning består af to dele. Den første del er den, du læser lige nu. Den indeholder instruktioner til samling, brug og vedligeholdelse af din enhed. Den anden del starter på side 97. Den indeholder alle former for illustrationer:

- Sprængbilleder, dellister og samletegninger for enhederne, der er beskrevet i denne vejledning.
- Illustrationer, der understøtter de mest vigtige instruktioner i den første del af vejledningen.

 Hvis der findes en illustration for en særlig instruktion, kan du se en henvisning til den illustration i instruktionen. Disse henvisninger vises efter et blyantikon, lige som det du kan se her til venstre.

3 VIGTIGE SIKKERHEDSANVISNINGER

Læs vejledningen inden brug af enheden. Følg altid vejledningen omhyggeligt. Forkert samling eller brug af enheden kan forårsage brand og materiel beskadigelse.

 Beskadigelser som følge af, at vejledningen ikke er blevet fulgt (forkert samling, misbrug, utilstrækkelig vedligeholdelse), dækkes ikke af garantien.

- Lad ikke enheden stå alene, når den er i brug.
- ADVARSEL! Denne grill bliver meget varm, flyt ikke på den når den er i brug
- Brug passende beskyttelse ved håndtering af varme dele.
- Opbevar brændbare materialer, væsker og opløselige genstande væk fra en enhed i brug.
- ADVARSEL! Hold børn og kæledyr på sikker afstand.
- Opbevar en spand vand eller sand i nærheden, når enheden er i brug – især på varme dage og tørre områder.
- Brug den aldrig indendørs.

Brug kun enheden udendørs. Brug af grillen indendørs selv i en garage eller et skur kan føre til kulilteforgiftning.

Når du vælger en udendørs placering, skal du altid:

- Placér apparatet mindst tre meter væk fra alle bygninger, og på et åbent sted med ordentlig ventilation.
- Sørg for, at apparatet ikke står under en overhængende struktur (en veranda, et halvtag...) eller under blade.
- Grillen skal opstilles på et sikkert og plant underlag før brug. Den må aldrig stilles på et køretøj, som er i bevægelse (en båd, en trailer...).

4 TILBAGEVENDENDE KONCEPTER

Denne del omfatter definitioner af nogle mindre kendte koncepter. Disse koncepter bruges i flere emner i denne vejledning.

4.1 Emalje

Nogle af enhedens dele er dækket af et lag af smeltet glas, der kaldes emalje. Denne emalje beskytter det underliggende metal mod korrosion. Emalje er et højkvalitetsmateriale, der er modstandsdygtig over for rust, falmer ikke i høje temperaturer og er meget nemt at vedligeholde.

 Da emaljen er mindre fleksibel end det metal, den dækker, kan stykker af emalje falde af, hvis du håndterer enheden forkert. For at undgå problemer skal du være forsigtig, når du samler emaljerede dele, og altid vedligeholde emaljen som beskrevet senere i denne vejledning.

5 SAMLING AF ENHEDEN

5.1 Sikkerhedsanvisninger

- Foretag aldrig ændringer på enheden, når du samler den. Det er meget farligt, og det er ikke tilladt at ændre enhedens dele.
- Følg altid samlevejledningen omhyggeligt.
- Brugeren er ansvarlig for, at enheden samles korrekt. Beskadigelser som følge af forkert samling dækkes ikke af garantien.

5.2 Sådan samles enheden

Saml enheden i henhold til samletegningerne.

 Du kan finde samletegningerne i den anden del af denne vejledning efter sprængbilledet af din enhed.

 Du behøver ikke specialværktøj til at samle enheden. Værktøj til at spænde skruerne følger med enheden.

5.3 Før hver brug

Stil apparatet på en stabil, plan og ren overflade, og sørg for at bunden på tøndens ikke rører jorden. Gummifødderne, der følger med grillen, er udstyret med en isolerende funktion.

6 KLARGØRING AF ENHEDEN

Du skal bruge trækul, ildtændere (i overensstemmelse med EN 1860-3) og lang tændstik.

6.1 Hvilken type kul skal jeg bruge?

Tænd altid op i din enhed med traditionelt trækul, aldrig med briketter. Når der er tændt op i enheden, kan du tilføje briketter.

Brug kvalitetskul til at tænde op i enheden, helst i overensstemmelse med EN 1860-2. Kvalitetskul består af store, skinnende stykker og afgiver ikke meget støv.

 Luk din pose med kul ordentligt, inden du opbevarer den. Opbevar den altid på et tørt sted, og opbevar den ikke i en kælder.

 Skålen må højst fyldes 50 % (maks. 1,2 kg) op med trækul. Hvis skålen fyldes for meget op, kan din grill tage seriøs skade på grund af omfattende varme.

6.2 Optænding i enheden

 Hovedtrinnene i denne opgave er illustreret i figur 2 og 3 på side 100.

- 1 Anbring nogle ildtændere i bunden af skålen (fig. 2a). Brug altid ildtændere, der overholder EN 1860-3.
- 2 Dæk ildtænderne med trækul (fig. 2b). Tip:
 - Brug ikke for meget kul. Skålen skal kun være en tredjedel fuld.
 - Sørg for, at du stadig kan nå ildtænderne.
 - Brug små stykker kul til at tænde op i enheden. Du kan tilføje større stykker senere.
- 3 Tag en lang tændstik, og tænd ildtænderne (fig. 2c).

 Når enheden bruges første gang, skal den brænde i 30 minutter. Dette fjerner eventuel resterende produktionsfedt fra enheden.

 Placer ikke risten på enheden endnu. En tom rist kan blive deform, hvis den holdes over varmen for længe.

 ADVARSEL! Brug ikke sprit eller benzin til antænding eller genantænding! Brug kun optændingsblokke der opfylder kravene i EN 1860-3!"

- 4 Begynd ikke tilberedningen af maden før briketterne er dækket af grå aske. Det tager normalt ca. 15 minutter (fig. 2d).
- 5 Anbring risten på enheden med dens støtter på kulsålen kroege. Anbring altid risten i denne position, når du bruger enheden.

 Når enheden skal opbevares, skal ristens støtter anbringes ved siden af kulsålen kroege (Fig. 3 på side 100). Når risten er i denne nederste position, kan du anbringe dækslet på enheden. Se også "8.3 Opbevaring af enheden".

 Du kan også tænde kullet i Barbecue grillstarteren. Når kullene er klar, skal du blot hælde dem fra grillstarteren ned i skålen i enheden (fig. 1 side 100).

7 NYTTIGE TIPS OG TRICKS

7.1 Undgå, at mad brænder på

For at undgå, at maden brændes, må du aldrig begynde at grille, når der stadig er flammer i skålen. Vent, indtil kullene er dækket med et tyndt lag hvid aske.

7.2 Undgå, at mad sidder fast

For at undgå at mad sidder fast på risten:

- Pensel maden med lidt olie, inden du lægger det på risten. Du kan også pensle olie på selve risten.
- Vend ikke maden for hurtigt. Lad den først få noget varme.

7.3 Undgå opblusninger

Opblusninger er pludselige flammer, der opstår fra skålen, når du griller. De forårsages normalt af dryppende fedt eller marinade.

Opblusninger er normalt, når der grilles. For mange opblusninger kan dog øge temperaturen i skålen og kan antænde ophobet fedt. For at undgå opblusninger:

- Sørg for, at skålen er ren, inden du starter med at grille. Vi anbefaler, at rengøre skålen efter hver brug.
- Fjern overskydende fedt og marinade fra kødet. Du kan også bruge en grillbakke til fedtholdigt og/eller marineret kød.

8 VEDLIGEHOLDELSE AF ENHEDEN

8.1 Rengøring af skålen

 Hovedtrinnene i denne opgave er illustreret i figur 4 på side 101.

Vi anbefaler, at rengøre skålen efter hver brug. Med askebeholderen er det overstået på ingen tid. Gør følgende:

- 1 Lad enheden køle helt ned, og fjern risten.
- 2 Fjern bundgitteret fra skålen, og børst asken ned i askebeholderen (fig. 4a).
- 3 Løft askebeholderen op fra skålen (fig. 4b), og hæld asken i en spand (fig. 4c).
- 4 Sæt askebeholderen og bundgitteret tilbage i skålen.
- 5 Sæt risten tilbage i enheden (i nederste position), og sæt dækslet på enheden (fig. 4d).

8.2 Rengøring af risten

Vi anbefaler, at rengøre grillen efter brug, med et Barbecue-rengøringsmiddel.

 Du kan også rengøre grillen med et mildt rengøringsmiddel eller med natriumbicarbonat. Brug aldrig ovenrens på grillen.

8.3 Opbevaring af enheden

Opbevar enheden efter hver brug. Gør følgende:

- 1 Rengør skålen og risten. Se "8.1 Rengøring af skålen" og "8.2 Rengøring af risten"
- 2 Sæt risten tilbage på enheden i den laveste position.
- 3 Sæt låget på enheden.
- 4 Opbevar enheden på et tørt sted (indendørs, under et halvtag...).

8.4 Begræns dannelsen af rust

Gasflaskens øverste ring har tendens til at ruste lidt. Denne proces kan forsinkes ved at smøre tromlen med solsikkeolie.

 Rusten kan ikke skade gasflasken. Hvis du gerne vil have et rustikt udseende, behøver du ikke at smøre gasflasken.

8.5 Vedligeholdelse af emaljerede dele, dele af rustfrit stål samt forkromede og pulverlakerede dele

Enheden består af emaljerede og pulverlakerede dele samt dele i rustfrit stål og krom. Hvert materiale skal vedligeholdes forskelligt:

Materiale	Sådan vedligeholdes dette materiale
Emalje	<ul style="list-style-type: none">• Brug ikke skarpe genstande, og stød ikke grillen mod en hård overflade.• Undgå kontakt med kolde væsker, mens grillen er varm.• Du kan bruge metalsvampe og slibende rengøringsmidler.
Rustfrit stål og krom	<ul style="list-style-type: none">• Brug ikke hårde eller slibende rengøringsmidler eller rengøringsmidler til metal.• Brug blide rengøringsmidler, og lad dem virke på stålet.• Brug en blød svamp eller klud.• Skyl grundigt efter rengøring, og tør helt inden opbevaring.
Pulverlakeret	<ul style="list-style-type: none">• Brug ikke skarpe genstande. Brug et blidt rengøringsmiddel og en blød svamp eller klud.• Skyl grundigt efter rengøring, og tør helt inden opbevaring.

 Beskadigelser som følge af, at denne vejledning ikke er blevet fulgt, anses som utilstrækkelig vedligeholdelse og dækkes ikke af garantien.

Under sprængbilledet af din enhed (den anden del af vejledningen) kan du se en liste over alle de dele, som enheden består af. Denne liste indeholder et symbol, der specificerer hver dels materiale, så du kan bruge listen til at undersøge, hvordan du vedligeholder den bestemte del. Listen over dele bruger følgende symboler:

Symbol	Materiale
●	Emalje
▲	Krom
■	Rustfrit stål
★	Pulverlakeret

8.6 Bestilling af reservedele

Dele, der direkte udsættes for brand eller intens varme, skal fra tid til anden udskiftes. Sådan bestiller du en reservedel:

- 1 Slå referencenummeret op til delen, du skal bruge. Du kan finde en liste over alle referencenumrene under de udvidede visninger i den anden del af denne vejledning, og på www.barbecook.com.

 Hvis du har registreret dit apparat online, sendes du automatisk videre til den rigtige liste i din MyBarbecook-konto. Der har du mulighed for at bestille dine reservedele online.

- 2 Bestil reservedelen via www.barbecook.com eller hos din forhandler. Dele under garantien kan kun bestilles hos din forhandler.

9 GARANTI

9.1 Dækket

Din enhed leveres med 2 års garanti fra købsdatoen. Denne garanti dækker alle produktionsfejl forudsat at:

- Du har brugt, samlet og vedligeholdt enheden i henhold til instruktionerne i denne vejledning. Beskadigelser forårsaget af misbrug, forkert samling eller utilstrækkelig vedligeholdelse anses ikke som produktionsfejl.
- Du kan fremvise kvitteringen på din enhed.
- Barbecook-kvalitetsafdelingen bekræfter, at delene er fejlbehæftede, og at de viste sig at være fejlbehæftede under normal brug, korrekt samling og tilstrækkelig vedligeholdelse.

Hvis en af ovenstående betingelser ikke overholdes, kan du ikke gøre krav på nogen form for erstatning. Garantien er i alle tilfælde begrænset til reparation eller erstatning af fejlbehæftede dele.

9.2 Ikke dækket

Følgende beskadigelser og defekter er ikke dækket af garantien:

- Normal slidtage (rust, skævhed, misfarvning...) af dele, der er direkte udsat for ild eller høj varme. Det er normalt at udskifte disse dele fra tid til anden.
- Visuelle uregelmæssigheder, der skyldes produktionsprocessen. Disse uregelmæssigheder anses ikke som værende produktionsfejl.
- Alle beskadigelser forårsaget af utilstrækkelig vedligeholdelse, forkert opbevaring, forkert samling eller ændringer foretaget på dele, der er samlet på forhånd.
- Alle beskadigelser forårsaget af forkert brug og misbrug af enheden (brug, der ikke er i henhold til instruktionerne i denne vejledning, brug til kommercielle formål...).
- Alle følgeskader forårsaget af skødesløs eller ikke føjelig brug af enheden.
- Rust eller misfarvning forårsaget af eksterne kilder, brug af hårde rengøringsmidler, brug af klorin... Disse beskadigelser anses ikke som værende produktionsfejl.

FI - KÄYTTÖOPAS

1 REKISTERÖI LAITTEESI

Kiitos, kun valitsit Barbecue-tuotteen! Kokonainen uusi maailma odottaa sinua tekemään tutkimuksia, tapahtuipa se luonnon hiljaisuudessa tai kaupungin hälinässä. Ryhdy grillimestariksi #barbecue-yhteisössämme ja anna meidän asettaa grillaustaitosi kohdevaloon.

Rekisteröi Barbecue-laitteesi verkossa saadaksesi suuria hyötyjä:

- Saat pääsyn koko käyttöoppaaseen ja opit tuntemaan laitteesi läpikotaisin.
- Hyödyt henkilökohtaistetusta myynnin jälkeisestä palvelusta, mikä mahdollistaa varaosien löytämisen nopeasti ja hyödyn optimaalisesta takuupalvelusta.
- Me tiedotamme sinulle tuotepäivityksistä ja annamme vinkkejä, vihjeitä ja grilli-inspiraatiota, joilla saat itsestäsi esiin grillimestarin ainekset.

Valmis seikkailuun? Rekisteröi tuotteesi ja liity #barbecue-yhteisöön!



Katos osoitteesta www.barbecue.com lisätietoja laitteesi rekisteröinnistä.



Barbecue kunnioittaa yksityisyyttäsi. Tietojasi ei myydy, jaella tai jaeta kolmansien osapuolten kanssa.

2 TIETOA TÄSTÄ KÄYTTÖOPPAASTA

Tämä käyttöopas koostuu kahdesta osasta. Luet parhaillaan ensimmäistä osaa. Tämä osa sisältää laitteen kokoonpano-, käyttö- ja huolto-ohjeet. Toinen osa alkaa sivulta 97. Toinen osa sisältää useita eri kuvia:

- Laitteen suurennettuja kuvia, osaluetteloita ja kokoonpanokuvia.
- Tärkeimpiä ohjeita koskevat kuvat löytyvät oppaan ensimmäisestä osasta.



Kaikki ohjeisiin liittyvät kuvitukset löytyvät tästä oppaasta. Viitteet on ilmaistu kynäkuvakkeella, joka näkyy tässä vasemmalla.

3 TÄRKEITÄ TURVALLISUUSOHJEITA

Lue ohjeet ennen laitteen käyttöä. Noudata ohjeita aina huolellisesti. Laitteen ohjeista poikkeava kokoonpano tai käyttö voi johtaa tulipaloon tai aineellisiin vahinkoihin.



Takuu ei kata näiden ohjeiden noudattamatta jättämisestä aiheutuvia vahinkoja (vääränlainen kokoonpano, väärinkäyttö, riittämätön huolto, jne.).

- Älä jätä laitetta valvomatta käytön aikana.
- VAROITUS! Grilli kuumenee käytössä. Grilliä ei saa siirtää käytön aikana.
- Käytä asianmukaista suojausta käsitellessäsi kuumia osia.
- Pidä tulenarat materiaalit ja nesteet sekä liukenevat esineet pois laitteen läheisyydestä käytön aikana.
- VAROITUS! Pidä lapset ja lemmikkieläimet poissa grillin läheisyydestä.
- Pidä vesiämpäriä tai hiekkaa lähetyvillä laitteen käytön aikana, erityisesti erittäin kuumalla ilmalla tai kuivalla alueella.
- Grilliä ei saa käyttää sisätiloissa.

Laitetta saa käyttää vain ulkotiloissa. Laitteen käyttö sisätiloissa, mukaan lukien autotalli tai vaja, voi johtaa hiilimonoksidimyrkytykseen.

Huomioi seuraavat seikat valitessasi sopivaa käyttöpaikkaa:

- Varmista ettei laite ole sijoitettuna minkään rakenteen (terassi, katos, jne.) tai lehvistön alle.
- Sijoita laite kiinteälle ja tasaiselle alustalle. Älä koskaan sijoita laitetta liikkuvaan ajoneuvoon (vene, perävaunu, jne.).

4 TOISTUVAT KÄSITTEET

Tämä osio sisältää tiettyjä tunnettuja käsitteitä. Nämä käsitteet toistuvat oppaan eri aiheissa.

4.1 Emali

Jotkin laitteen osat on pinnoitettu sulatetulla lasilla, jota kutsutaan emaliksi. Emali suojaa pinnoitteen alla olevaa metallia syöpymiseltä. Emali on erittäin korkealaatuinen materiaali: se on ruosteenkestävä, ei himmene korkeissa lämpötiloissa ja on erittäin helppo huoltaa.



Emali ei ole yhtä joustava kuin sen alla oleva metalli, joten emali voi halkeilla, jos laitetta käsitellään väärin. Voit välttää ongelmia noudattamalla varovaisuutta emaliosien kokoonpanon aikana ja huoltamalla emaliosia tässä oppaassa kuvatulla tavalla.

5 LAITTEEN KOKOONPANO

5.1 Turvaohjeet

- Älä muokkaa laitetta kokoonpanon yhteydessä. Tämä on hyvin vaarallista eikä laitteen osia saa muokata.
- Noudata kokoonpano-ohjeita huolellisesti.
- Laitteen asianmukainen kokoonpano on käyttäjän vastuulla. Takuu ei kata vääränlaisesta kokoonpanosta johtuvia vahinkoja.

5.2 Laitteen kokoaminen

Kokoa laite kokoonpanokuvissa kuvatulla tavalla.



Kokoonpanokuvat löytyvät oppaan toisesta osasta laitteen suurennettun kuvan jälkeen.



Et tarvitse mitään erikoistyökaluja laitteen kokoamiseen. Ruuvien kiristykseen tarvittava työkalu toimitetaan laitteen mukana.

5.3 Ennen jokaista käyttökertaa

Aseta laite vakaalle, vaakasuoralle ja puhtaalle alustalle ja varmista, ettei tynnyrin pohja ole kosketuksissa maahan. Grillin kumijaloilla on eristystarkoitus.

6 LAITTEEN VALMISTELU

Tarvitset hiiliä, sytykkeitä (standardin EN 1860-3 mukaisesti) ja pitkän tulitikun.

6.1 Mitä hiiliä pitäisi käyttää?

Sytytä laitteeseen tuli aina perinteisillä hiillillä. Älä koskaan käytä brikettejä. Kun laitteessa on tuli, voit lisätä tuleen brikettejä.

Käytä laitteen sytyttämiseen aina laadukkaita hiiliä. On suositeltavaa käyttää standardin EN 1860-2 mukaisia hiiliä. Laadukkaat hiilet ovat suurikokoisia, kiiltäviä paloja, jotka eivät juurikaan pölyä.

 Sulje hiilisäkki huolellisesti ennen sen varastointia. Varastoi hiilet aina kuivaan paikkaan, älä varastoi hiiliä kellarissa.

 Enintään 50 % (enintään 1,2 kg) kaukalosta saa täyttää hiillillä, Kaukalon liikätäyttö voi vahingoittaa grilliä vakavasti liiallisesta kuumuudesta johtuen.

6.2 Tulen sytyttäminen

 Tämän toimenpiteen päävaiheet on kuvattu Kuvassa 2 ja 3 sivulla 100.

- 1 Lisää sytykkeitä kulhon pohjalle (Kuva 2a). Käytä ainoastaan standardin EN 1860-3 mukaisia sytykkeitä.
- 2 Peitä sytykkeet hiillillä (Kuva 2b). Vihjeitä:
 - Älä käytä liikaa hiiliä. Kulhosta noin kolmannes pitäisi täyttää hiilellä.
 - Varmista, että sytykkeet eivät peity täysin.
 - Sytytä laitteeseen tuli käyttämällä pienikokoisia hiiliä. Voit lisätä suurempia hiiliä jälkeenpäin.

- 3 Sytytä sytykkeet pitkällä tulitikulla (Kuva 2c).

 Kun käytät laitetta ensimmäistä kertaa, anna tulen palaa 30 minuuttia. Tällä tavoin voit poistaa jäljellä olevat valmistusrasvat laitteesta.

 Älä aseta grilliä vielä laitteeseen. Tyhjä grilli voi epämuodostua, jos sitä pidetään tulessa liian kauan.

 VAROITUS! Älä käytä bensiiniä tai spritiä sytyttämiseen tai liekkien kohentamiseen. Käytä vain standardin EN 1860-3 mukaisia sytykkeitä.

- 4 Grilli on valmis ruoanlaittoon vasta, kun polttoaine on tuhkan peitossa. Vanligtvis tar detta ungefär 15 minuter (Bild 2d).

- 5 Aseta grilli laitteeseen siten, sen tuet riippuvat hiilikulhon koukuista. Aseta grilli aina tällä tavoin käyttäessäsi laitetta.

 Kun haluat varastoida laitteen, laita grillin tuet hiilikulhon koukkujen viereen (Kuva 3, sivu 100). Kun grilli on ala-asennossa, voit peittää laitteen kannella. Katso myös "8.3 Laitteen varastointi".

 Voit myös sytyttää hiilen Barbecue hiilisyttyttimessä. Kun hiili on syttynyt, kaada se hiilisyttyttimestä laitteen kulhoon (Kuva 1, sivu 100).

7 HYÖDYLLISIÄ VIHJEITÄ

7.1 Ruoan palamisen välttäminen

Älä koskaan aloita grillausta, mikäli kulhossa on edelleen liekkejä. Tällä tavoin voit välttää ruoan palamisen. Odota kunnes hiili on peittynyt hienoon, vaaleaan tuhakerrokseen.

7.2 Ruoan tarttumisen välttäminen

Voit välttää ruoan tarttumisen grilliin seuraavasti:

- Voitele ruoka kevyesti öljyllä ennen sen laittamista grillille. Voit myös voidella grillin öljyllä.
- Älä käännä ruokaa liian nopeasti. Anna sen ensin lämmetä hieman.

7.3 Leimahdusten välttäminen

Leimahdukset ovat yhtäkkiä liekkejä, jotka syntyvät kulhossa grillaamisen aikana. Leimahdukset syntyvät yleensä rasva- tai marinadin tippumisesta.

Leimahdusten esiintyminen grillattaessa on täysin normaalia. Liialliset leimahdukset voivat kuitenkin nostaa kulhon lämpötilaa ja sytyttää grilliin kertyneen rasvan palamaan. Leimahdusten välttäminen:

- Varmista, että kulho on puhdas ennen kuin aloitat grillaamisen. On suositeltavaa puhdistaa kulho jokaisen käyttökerran jälkeen.
- Poista ylimääräinen rasva ja marinadi lihasta. Voit myös käyttää grillipannua rasvaisen ja/tai marinoidun lihan valmistamiseen.

8 LAITTEEN HUOLTAMINEN

8.1 Kulhon puhdistaminen

 Tämän toimenpiteen päävaiheet on kuvattu Kuvassa 4 sivulla 101.

On suositeltavaa puhdistaa kulho jokaisen käyttökerran jälkeen. Tuhkasäiliön avulla tämä tapahtuu erittäin nopeasti. Toimi seuraavasti:

- 1 Anna laitteen jäähtyä kokonaan ja poista grilli.
- 2 Poista pohjaritilä kulhosta ja harjaa tuhkat putkeen (Kuva 4a).
- 3 Nosta tuhkasäiliö kulhosta (Kuva 4 b) ja kaada tuhkat ämpäriin (Kuva 4c).
- 4 Aseta tuhkasäiliö ja pohjaritilä takaisin kulhoon.
- 5 Aseta grilli takaisin laitteeseen (alimmalle tasolle) ja peitä laite kannella (Kuva 4d).

8.2 Grillin puhdistaminen

On suositeltavaa puhdistaa grilli jokaisen käytön jälkeen Barbecue-puhdistusaineella.

 Voit puhdistaa grillin myös miedolla pesuaineliuksella tai natriumbikarbonaatilla. Älä koskaan puhdistaa grilliä uuninpuhdistusaineilla.

8.3 Laitteen varastointi

Varastoi laite joka käyttökerran jälkeen. Toimi seuraavasti:

- 1 Puhdista kulho ja ritilä. Katso "8.1 Kulhon puhdistaminen" ja "8.2 Grillin puhdistaminen"
- 2 Asenna ritilä takaisin laitteeseen alimmalle tasolle.
- 3 Laita kansi laitteen päälle.
- 4 Varastoi laitetta kuivassa paikassa (sisätilat, kuiva varasto, jne.).

8.4 Ruosteen syntymisen ehkäiseminen

Rungon ylemmällä renkaalla on tapana ruostua hieman. Voit hidastaa prosessia voitelemalla renkaan auringonkukkaöljyllä.

 Ruoste ei vahingoita runkoa. Runkoa ei ole pakko öljytää.

8.5 Emalin, ruostumattoman teräksen, kromin ja jauhemaalipinnoitteen huoltaminen

Tämä laite sisältää emaloituja, kromattuja, jauhemaalattuja sekä ruostumattomasta teräksestä valmistettuja osia. Jokainen materiaali vaatii erilaista huoltamista:

Materiaali	Materiaalin huoltaminen
Emali	<ul style="list-style-type: none">Älä käytä teräviä esineitä äläkä kopauta emalia kovaa pintaa vasten.Vältä emalin altistamista kylmille nesteille sen ollessa kuuma.Voit käyttää metalliharjoja ja hankaavia puhdistusaineita.
Ruostumaton teräs ja kromi	<ul style="list-style-type: none">Älä käytä voimakkaita, hankaavia tai metallinpuhdistusaineita.Käytä laimeampia puhdistusaineita ja anna niiden vaikuttaa teräkseen.Käytä pehmeää sientä tai liinaa.Huuhtelee huolellisesti puhdistamisen jälkeen ja kuivaa huolellisesti ennen varastointia.
Jauhemaalattu	<ul style="list-style-type: none">Älä käytä teräviä esineitä. Käytä mietoja puhdistusaineita sekä pehmeää sientä tai liinaa.Huuhtelee huolellisesti puhdistamisen jälkeen ja kuivaa huolellisesti ennen varastointia.

 Näiden ohjeiden noudattamatta jättämisestä aiheutuvat vahingot katsotaan puutteelliseksi huolloksi eikä takuu kata niitä.

Alla oleva suurennettu kuva (oppaan toinen osa) sisältää luettelon laitteen kaikista osista. Luettelo sisältää symboleita, jotka kuvaavat jokaisen osan materiaalia. Tällä tavoin voit tarkistaa jokaisen osan huoltotavan. Osaluettelo sisältää seuraavat symbolit:

Symboli	Materiaali
●	Emali
▲	Kromi
■	Ruostumaton teräs
★	Jauhemaalattu

8.6 Varaosien tilaaminen

Deler som blir direkte utsatt for flammer eller intens varme, må byttes fra tid til annen. Slik bestiller du en reservedel:

- 1 Se opp referansenummeret til delen du trenger. Du finner en liste over alle referansenumre under de forstørrede visningene i den andre delen av denne håndboken og på www.barbecook.com.

 Hvis du registrerte apparatet ditt på nettet, blir du automatisk veiledet til den riktige listen i MyBarbecook-kontoen. Der kan du bestille deler på nettet.

- 2 Bestill reservedelen via www.barbecook.com eller på kjøpsstedet. Deler som dekkes av garanti, kan kun bestilles på kjøpssted.

9 TAKUU

9.1 Takuu kattaa

Laite sisältää kahden vuoden takuun, joka on voimassa ostopäivämäärästä lähtien. Tämä takuu kaikki valmistusviat, edellyttäen, että:

- Olet koennut, käyttänyt tai huoltanut laitettasi tämän oppaan ohjeiden mukaisesti. Vääränlaisesta käytöstä, kokoonpanosta tai riittämättömästä huollosta johtuvat vauriot eivät ole valmistusvirheitä.
- Voit esittää laitteen kuitiksi.
- Barbecue-laadunvarmistusosasto vahvistaa, että osat ovat viallisia ja että ne ovat olleet viallisia normaalista käytöstä, kokoonpanosta ja riittävästä huollosta riippumatta.

Jos jokin seuraavista ehdoista ei täyty, et voi vedota takuuseen. Joka tapauksessa takuu rajoittuu viallisten osien korjaamiseen tai vaihtamiseen.

9.2 Takuu ei kata

Takuu ei kata seuraavia vaurioita ja vikoja:

- Suoraan tulelle tai erittäin korkeille lämpötiloille altistuneiden osien normaali kuluminen (ruostuminen, vääristyminen, värjäytyminen...). On täysin normaalia, että tällaiset osat vaativat ajoittain vaihtamista uuteen.
- Ulkomuodolliset poikkeavuudet, jotka ovat ominaisia valmistusprosessille. Nämä poikkeavuudet eivät ole valmistusvikoja.
- Kaikki riittämättömästä huollosta, vääränlaisesta säilytyksestä, vääränlaisesta kokoonpanosta tai esiasennettujen osien muokkaamisesta johtuvat vahingot.
- Kaikki laitteen väärinkäytöstä johtuvat vahingot (ts. laitteen käyttö tämän oppaan sisältämien ohjeiden vastainen käyttö, kaupallinen käyttö, jne.)
- Kaikki välilliset vahingot, jotka johtuvat laitteen huolimattomasta tai ohjeista poikkeavasta käytöstä.
- Värjäytyminen tai ruostuminen, joka johtuu ulkopuolisista tekijöistä, voimakkaiden puhdistusaineiden käytöstä, altistumisesta kloorille, jne. Nämä vauriot eivät ole valmistusvikoja.

NO - BRUKERHÅNDBOK

1 REGISTER APPARATET DITT

Takk for at du kjøpte et Barbecook-apparat! Det er en helt ny verden som venter på at du skal utforske den, enten i fred og ro i naturen eller midt i byens liv og mas. Bli en grillmester i vårt #barbecue-samfunn, og la oss sette grillferdighetene dine i rampelyset.

Registrer Barbecook-apparatet ditt på nettet, og få noen store fordeler:

- Du får tilgang til den komplette brukerhåndboken og lærer alt om apparatet.
- Du får fordelene ved personlige ettersalgstjenester, slik at du raskt finner reservedeler og får glede av optimal garantiservice.
- Vi gir deg informasjon om produktoppdateringer samt tips, triks og grillspirasjon for å få frem grillmesteren i deg.

Klar for et eventyr? Registrer produktet ditt, og bli med i #barbecue-samfunnet!



Du finner mer informasjon om registrering av apparatet på www.barbecue.com.



Barbecook respekterer ditt personvern. Dine data vil ikke bli solgt, distribuert eller delt med tredjeparter.

2 OM DENNE HÅNDBOKEN

Denne håndboken er sammensatt av to deler. Den første delen er den du leser nå. Den inneholder instruksjoner for montering, bruk og vedlikehold av apparatet ditt. Den andre delen begynner på side 97. Den inneholder alle typer illustrasjoner:

- Forstørrede bilder, delelister og monteringstegninger av apparater beskrevet i denne håndboken.
- Illustrasjoner for de viktigste instruksjonene i den første del av håndboken.



Hvis det er en illustrasjon tilgjengelig for en bestemt instruksjon, finner du henvisning til den illustrasjonen i instruksjonen. Disse referansene er indikert med et blyant-ikon, som den du ser her til venstre.

3 VIKTIGE SIKKERHETSINSTRUKSJONER

Les instruksjonene før du bruker apparatet. Følg alltid bruksanvisningen nøye. Annerledes montering eller bruk av apparatet kan føre til brann og materielle skader.



Skader forårsaket av at man ikke har fulgt disse instruksjonene (feilaktig montering, misbruk, mangelfullt vedlikehold...) er ikke dekket av garantien.

- Ikke la apparatet være uten tilsyn når det er i bruk.
- **ADVARSEL!** Apparatet vil bli veldig varmt, ikke flytt det under bruk.
- Bruk egnet beskyttelse ved håndtering av varme deler.
- Hold brennbare materialer, brennbare væsker og oppløselige gjenstander vekk fra et apparat i bruk.
- **ADVARSEL!** Hold barn og kjæledyr borte fra et apparat i bruk.
- Ha en bøtte med vann eller sand for hånden når du bruker apparatet, spesielt på svært varme dager og i tørre områder.
- **ADVARSEL!** Ikke bruk innendørs.

Bruk kun apparatet utendørs. Bruk innendørs, selv i en garasje eller et skur, kan føre til kullforgiftning.

Når du velger en utendørs plassering må du alltid:

- Pass på at apparatet ikke er under en overhengende struktur (en veranda, et ly...) eller under løvverk.
- Sett apparatet på et fast og stabilt underlag. Aldri sett den på et kjøretøy i bevegelse (en båt, en tilhenger...).

4 TILBAKEVENDENDE BEGREPER

Denne delen inneholder definisjoner av noen mindre kjente begreper. Disse begrepene brukes i flere emner i håndboken.

4.1 Emalje

Noen deler av apparatet er dekket av et lag av smeltet glass, kalt emaljen. Denne emaljen beskytter det underliggende metall mot korrosjon. Emalje er et kvalitetsmateriale: det er motstandsdyktig mot rust, reduseres ikke under påvirkning av høye temperaturer og er veldig lett å vedlikeholde.



Fordi emaljen er mindre fleksibel enn metallet den dekker, kan biter av emaljen skalle av hvis du håndterer apparatet feil. For å unngå problemer, vær forsiktig når du monterer emaljerte deler og vedlikehold alltid emaljen slik som beskrevet nærmere i denne håndboken.

5 MONTERING AV APPARATET

5.1 Sikkerhetsinstruksjoner

- Ikke modifier apparatet ved montering. Det er veldig farlig og ikke lov til å endre deler av apparatet.
- Følg alltid monteringsanvisningen nøye.
- Brukeren er ansvarlig for korrekt montering av apparatet. Skader forårsaket av feil montering dekkes ikke av garantien.

5.2 Montering av apparatet

Monter apparatet, som vist på monteringstegningene.



Du finner monteringstegninger i den andre delen av denne håndboken, etter det forstørrede bildet av apparatet ditt.



Du trenger ikke spesielle verktøy for å montere apparatet. Verktøyet for å stramme skruene leveres med apparatet.

5.3 Før hver bruk

Sett apparatet på en stabil, plan og ren base, og sørg for at bunnen av fatet ikke berører bakken. Gummiføttene som følger med grillen har en isolerende funksjon.

6 KLARGJØRING AV APPARATET

Du trenger kull, tennbriketter (i samsvar med EN 1860-3) og en lang fyrstikk.

6.1 Hvilket trekull bør jeg bruke?

Tenn alltid apparatet ditt med tradisjonelt trekull, aldri med briketter. Når apparatet er tent, kan du legge i briketter.

Bruk trekull av god kvalitet for å tenne apparatet, fortrinnsvis i samsvar med EN 1860-2. Trekull av god kvalitet består av store, blanke klosser som ikke avgir mye støv.



Lukk posen med kullet ordentlig før det lagres. Oppbevar den alltid på et tørt sted, ikke oppbevar den i en kjeller.



Bunnen kan fylles opptil 50 % (maks 1,2kg) med grillkull. Hvis bunnen overfylles, kan grillen bli skadet på grunn av stor varme.

6.2 Tenning av apparatet

 Hovedtrinnene i denne oppgaven er illustrert i figur 2 og 3, på side 100.

- 1 Legg noen tennbriketter på bunnen av bollen (fig. 2a). Alltid bruk tennbriketter som er i samsvar med EN 1860-3.
- 2 Dekk tennbrikettene med trekullet (fig. 2b). Tips:
 - Ikke bruk for mye trekull. Bollen bør bare fylles en tredjedel.
 - Sørg for at du fortsatt kan nå tennbrikettene.
 - Bruk små biter av trekull for å tenne apparatet. Du kan legge i større klosser etterpå.
- 3 Ta en lang fyrstikk og tenn tennbrikettene (fig. 2c).

 Når du bruker apparatet for første gang, la det brenne i 30 minutter. Dette fjerner eventuelle gjenværende produksjonsfett fra apparatet.

 Ikke sett grillen på apparatet ennå. En tom grill kan deformeres når den holdes i varmen for lenge.

 Advarsel! Ikke bruk sprit eller bensin for å tenne eller om-tenne apparatet. Bruk kun tennbriketter som er i samsvar med EN 1860-3.

- 4 Du kan begynne å grille når trekullet er dekket med et tynt lag av hvit aske. Normalt tar dette ca. 15 minutter (fig. 2d).
- 5 Sett grillen på apparatet, med støttene på krokene til trekullbollen. Sett alltid grillen i denne posisjonen når du bruker apparatet.

 Når du ønsker å lagre apparatet, legg grillstøttene ved siden av krokene i trekullbollen (fig. 3, på side 100). Når grillen er i denne nedre posisjon, kan du sette dekselet på apparatet. Se også "8.3 Oppbevaring av apparatet".

 Du kan også tenne trekull i Barbecook trekullstarteren . Når trekullet er klart, kan du bare helle den fra kull starter over i boll en på apparatet (fig. 1, side 100).

7 NYTTIGE TIPS OG TRIKS

7.1 Unngå at maten brenner seg

For å hindre at mat brenner seg, ikke start å grille når det fortsatt er flammer i bollen. Vent til trekullet er dekket med et tynt lag av hvit aske.

7.2 Unngå at maten setter seg fast

For å forhindre at maten fester seg til grillen:

- Olje maten lett med en kost før du legger det på grillen. Du kan også olje selve grillen.
- Ikke snu maten for fort. La den bli litt varm først.

7.3 Unngå bluss av stikkflammer

Bluss av stikkflammer plutselige flammer som gnistrer fra bollen når du griller. De er som regel forårsaket av dryppende fett eller marinade.

Under grilling, er bluss av stikkflammer normalt. For mange stikkflammer vil imidlertid øke temperaturen i bollen og kan antenne oppsamlet fett. For å unngå bluss av stikkflammer:

- Pass på at bollen er ren før du begynner å grille. Vi anbefaler å rense bollen etter hver bruk.
- Fjern overflødig fett og marinade fra kjøttet. Du kan også bruke en grillpanne for fet og/eller marinert kjøtt.

8 VEDLIKEHOLD AV APPARATET

8.1 Rengjøring av bollen

 Hovedtrinnene i denne oppgaven er illustrert i figur 4, på side 101.

Vi anbefaler å rense bollen etter hver bruk. Med askebeholderen er dette gjort på et øyeblikk. Gjør som følger:

- 1 La apparatet avkjøles helt og fjern grillen.
- 2 Fjern bunnristen fra bollen og fei asken ned i askebeholderen (fig. 4b).
- 3 Løft askebeholderen fra bollen (fig. 4b) og hell asken i en bøtte (fig. 4c).
- 4 Sett askebeholderen og bunnristen tilbake i bollen.
- 5 Legg grillen tilbake på apparatet (i laveste posisjon) og sett dekselet på apparatet (fig. 4d).

8.2 Rengjøring av grillen

Vi anbefaler at du rengjør grillristen etter hver bruk med et rengjøringsmiddel fra Barbecook.

 Du kan også rengjøre grillristen med et mykt vaskemiddel eller med natriumbikarbonat. Bruk aldri ovnsrens på grillristen.

8.3 Oppbevaring av apparatet

Lagre apparatet etter hver bruk. Gjør som følger:

- 1 Rengjør bollen og grillen. Se "8.1 Rengjøring av bollen" og "8.2 Rengjøring av grillen"
- 2 Legg grillen tilbake på apparatet, i laveste posisjon.
- 3 Legg dekselet på apparatet.
- 4 Lagre apparatet på et tørt sted (innendørs, under et ly ...).

8.4 Begrense dannelse av rust

Den øvre ringen på beholderen har en tendens til å ruste litt. For å bremse denne prosessen ned, du kan olje ringen med solsikkeolje.

 Rust skader ikke beholderen. Hvis du liker en solid utseende, ikke bry deg med å olje beholderen.

8.5 Vedlikehold av emaljerte, rustfritt stål, krom og pulverlakkerte deler.

Apparatet består av emaljerte, rustfritt stål, forkrommede og pulverlakkerte deler. Hvert materiale må vedlikeholdes forskjellig:

Materiale	Hvordan vedlikeholde dette materialet
Emalje	<ul style="list-style-type: none">Ikke bruk skarpe gjenstander, og ikke bank mot et hardt underlag.Unngå kontakt med kalde væsker mens ennå varmt.Du kan bruke metallsvamper og skuremidler.
Rustfritt stål og krom	<ul style="list-style-type: none">Ikke bruk sterke, slipende eller metall rengjøringsmidler.Bruk myke rengjøringsmidler og la de virke på stål.Bruk en myk svamp eller klut.Skyll grundig etter rengjøring og tørk godt før lagring.
Pulverlakkert	<ul style="list-style-type: none">Ikke bruk skarpe gjenstander. Bruk myke vaskemidler og en myk svamp eller klut.Skyll grundig etter rengjøring og tørk godt før lagring.

 Skader forårsaket av at man ikke har fulgt disse instruksjonene anses som mangelfullt vedlikehold og blir dermed ikke dekket av garantien.

Nedenfor det forstørrede bildet av ditt apparat (andre del av håndboken), finner du en liste over alle delene som apparatet er sammensatt av. Denne listen inneholder et symbol som angir materialet i hver del, slik at du kan bruke den til å sjekke hvordan du må vedlikeholde en bestemt del. Delelisten bruker følgende symboler:

Symbol	Materiale
●	Emalje
▲	Krom
■	Rustfritt stål
★	Pulverlakkert

8.6 Bestilling av reservedeler

Deler som blir direkte utsatt for flammer eller intens varme, må byttes fra tid til annen. Slik bestiller du en reservedel:

- 1 Se opp referansenummeret til delen du trenger. Du finner en liste over alle referansenumre under de forstørrede visningene i den andre delen av denne håndboken og på www.barbecook.com.

 Hvis du registrerte apparatet ditt på nettet, blir du automatisk veiledet til den riktige listen i MyBarbecook-kontoen. Der kan du bestille deler på nettet.

- 2 Bestill reservedelen via www.barbecook.com eller på kjøpsstedet. Deler som dekkes av garanti, kan kun bestilles på kjøpsstedet.

9 GARANTI

9.1 Dekket

Apparatet leveres med en garanti på to år, fra kjøpsdato. Denne garantien dekker alle fabrikkfeil, forutsatt at:

- Du har brukt, montert og vedlikeholdt apparatet ditt i henhold til instruksjonene i denne håndboken. Skader forårsaket av misbruk, feil montering eller utilstrekkelig vedlikehold regnes ikke som fabrikkfeil.
- Du kan presentere kvitteringen på apparatet.
- Barbecook Kvalitetsavdelingen bekrefter at delene er defekte, at de viste seg å være defekte ved normal bruk, riktig montering og tilstrekkelig vedlikehold.

Hvis en av de ovennevnte vilkårene ikke er oppfylt, kan du ikke kreve noen form for kompensasjon. I alle tilfeller er garantien begrenset til reparasjon eller utskifting av den defekte delen(e).

9.2 Ikke dekket

Følgende skader og mangler dekkes ikke av garantien:

- Normal slitasje (rusting, forvrengning, missfarging ...) av deler som er direkte utsatt for flammer eller sterk varme. Det er vanlig å erstatte disse deler fra tid til annen.
- Visuelle uregelmessigheter som er del av produksjonsprosessen. Disse uregelmessighetene regnes ikke som fabrikkfeil.
- Alle skader forårsaket av utilstrekkelig vedlikehold, feil oppbevaring, feil montering eller modifikasjoner på forhåndsmonterte deler.
- Alle skader forårsaket av feilbruk og misbruk av apparatet (ikke bruker den i henhold til instruksjonene i denne håndboken, bruker den i kommersiell sammenheng...)
- Alle indirekte skader forårsaket av uforsiktig eller ikke-kompatibel bruk av apparatet.
- Rust eller missfarging forårsaket av ytre påvirkninger, ved bruk av sterke vaskemidler, eksponering til klor... Disse skadene regnes ikke som fabrikkfeil.

HU - HASZNÁLATI UTASÍTÁS

1 A KÉSZÜLÉK REGISZTRÁLÁSA

Köszönjük, hogy megvásárolta a Barbecue készüléket. Egy egészen új világ áll Ön előtt, amelyet felfedezhet – a békét és nyugalmat árasztó természetben és a nagyvárosi nyüzsgés forgatagában egyaránt. A #barbecue közösségünkben a grillezés mesterévé válhat, és segítünk abban, hogy mások előtt is megcsillogtassa grillezési tudását.

Regisztrálja a Barbecue készüléket az interneten, és a regisztrálást követően az alábbi nagyszerű előnyöket biztosítjuk Önnek:

- Hozzáférhet a teljes felhasználói útmutatóhoz, amiből minden apró részletet megtudhat a készülékéről.
- Személyre szabott, értékesítés utáni szolgáltatásokat vehet igénybe, amelyekkel gyorsan megtalálhatja a szükséges pótalkatrészeket, és egy optimális garanciaszolgáltatás előnyeit is élvezheti.
- Tájékoztatjuk a termékkel kapcsolatos frissítésekről, ezenkívül tippeket, ötleteket és grillezési inspirációt adunk Önnek, amelyekkel valóban a grillezés mesterévé válhat.

Készen áll a kalandra? Regisztrálja a terméket, és csatlakozzon a #barbecue közösséghez!

 A készülék regisztrálására vonatkozó tudnivalókért látogasson el a www.barbecue.com webhelyre.

 A Barbecue bizalmasan kezel minden információt. Az Ön által megadott adatokat nem értékesítjük, nem terjesztjük és nem osztjuk meg harmadik felekkel.

2 A KÉZIKÖNYVRŐL

A kézikönyv két részből áll. Az első rész, amit éppen olvas. Ebben a készüléke összeszerelésére, használatára és karbantartására vonatkozó utasítások találhatók. A második rész a 97. oldalon kezdődik. Abban többféle ábra található:

- Robbantott nézetek, alkatrész listák és a készülék összeszerelési rajzai.
- A kézikönyv első részének legfontosabb utasításait illusztráló ábrák.

 Ha egy adott utasításhoz van illusztráció, az utasítás mellett megtalálja annak hivatkozását. Ezeket a hivatkozásokat egy ceruza ikon jelzi, amilyen itt bal oldalon is látható.

3 FONTOS BIZTONSÁGI UTASÍTÁSOK

A készülék használata előtt olvassa el az utasításokat. Mindig gondosan tartsa be az utasításokat. Ha azoktól eltérően használja a készüléket, tüzet vagy anyagkárosodást okozhat.

 A használati utasítás figyelmen kívül hagyása miatt keletkező károk (helytelen összeszerelés, helytelen használat, nem megfelelő karbantartás, stb.) nem tartoznak a garancia hatálya alá.

- Használat közben ne hagyja felügyelet nélkül a készüléket.
- VIGYÁZAT! A készülék nagyon felforrósodik, ne mozgassa működés közben.
- Használjon megfelelő védőeszközt, ha a forró részekhez ér.
- Tartsa távol a gyúlékony anyagokat és folyadékokat, ill. az oldódó dolgokat a használatban lévő készüléktől.
- VIGYÁZAT! A használatban lévő készüléket tartsa távol gyerekektől és háziállatoktól.
- Legyen kéznél egy vödör víz vagy homok a készülék használatakor, különösen akkor, ha nagyon meleg nap van, és száraz helyen használja.
- VIGYÁZAT! Ne használja zárt térben.

A készüléket csak nyitott helyen használja. A zárt térben való használat szén-monoxid mérgezést okozhat még garázs vagy fészter esetén is.

Amikor kiválasztja a helyet odakint, mindig:

- A készüléket legalább három méterre helyezze el az épületektől, egy nyitott és jól szellőző területen.
- Győződjön meg arról, hogy a készülék felett nincs túlnyúló szerkezet (pl. terasz, fedett rész stb.) vagy lombkorona.
- A grillsütőt használat előtt egy biztonságos, vízszintes, sík elületen kell beüzemelni. Soha ne tegye mozgó járműre (csónak, utánfutó stb.).

4 FOGALOM MEGHATÁROZÁSOK

Ebben a részben néhány kevésbé ismert fogalom meghatározása található. A kézikönyv több témája hivatkozik ezekre a fogalmakra.

4.1 Zománc

A készülék egyes részei olvasztott üveggel, azaz zománcokkal vannak bevonva. A zománc megvédi az alatta lévő fémet a korróziótól. A zománc kiváló minőségű anyag: ellenáll a rozsdának, nem halványul el a nagy hőmérséklet miatt, és nagyon egyszerűen karbantartható.

 Mivel a zománc kevésbé rugalmas, mint az általa borított acél, ha helytelenül kezeli a készüléket, lepereghet róla a zománc. A problémák elkerülése érdekében legyen óvatos, amikor a zománcozott részeket szereli össze, és a zománcot a jelen utasításban leírtak szerint tartsa karban.

5 A KÉSZÜLÉK ÖSSZESZERELÉSE

5.1 Biztonsági utasítások

- Ne módosítsa a készüléket, amikor összeszereli. Nagyon veszélyes, és a készülék alkatrészeit nem szabad megváltoztatni.
- Mindig gondosan tartsa be az összeszerelési utasításokat.
- A készülék helyes összeszereléséért a felhasználó felel. A helytelen összeszerelésből adódó károokra nem vonatkozik a garancia.

5.2 A készülék összeszereléséhez

Szerelje össze a készüléket az ábrákon látható módon.

 Az összeszerelési ábrákat a kézikönyv második részében találja a készülékek robbantott ábrái után.

 Semmilyen különleges szerszámra nincs szüksége a készülék összeszereléséhez. A csavarok meghúzásához szükséges eszközt a készülékkel együtt szállítjuk.

5.3 Minden használat előtt

Tegye a készüléket stabil, vízszintes és tiszta felületre, és győződjön meg arról, hogy a hordó alja nem ér hozzá a talajhoz. A grillsütőhöz kapott gumi lábak izoláló funkcióval rendelkeznek.

6 A KÉSZÜLÉK ELŐKÉSZÍTÉSE A HASZNÁLATHOZ

Ehhez faszénre, (EN 1860-3 szabvány szerinti) begyújtóra és hosszú gyufára van szüksége.

6.1 Milyen faszenet használjak?

A készüléket mindig hagyományos faszénnel gyújtsa be, ne brikettel. Miután begyulladt a készülék, használhat brikettet is.

A készülék begyújtásához használjon jó minőségű faszenet, lehetőleg az EN 1860-2 szabvány szerinti. A jó minőségű faszén nagy, fényes darabokból áll, és nincs sok pora.

 Tárolás előtt gondosan zárja le a faszenes zsákokat. Mindig tartsa száraz helyen, és ne tárolja pincében.

 Töltse fel a kád legfeljebb 50% -át (max 1,2 kg) szénnel. A kád túltöltése komoly károkat okozhat a barbecue-ban a rendkívüli meleg miatt.

6.2 A készülék begyújtása

 A művelet főbb lépései a 100. oldal 2. és 3. ábráján láthatók.

- 1 Tegyen begyújtót a tűztér aljába (2a ábra). Csak az EN 1860-3 szabvány szerinti begyújtókat használjon.
- 2 Borítsa be faszénnel a begyújtót (2b ábra). Típek:
 - Ne használjon túl sok faszenet. A tűzteret a harmadig lehet feltölteni.
 - Győződjön meg róla, hogy még mindig hozzáfér a begyújtóhoz.
 - A készülék begyújtásához használjon kisebb darab faszeneket. Azután hozzáadhatja a nagyobb darabokat.
- 3 Vegyen elő hosszú gyufát, és gyújtsa meg a begyújtót (2c ábra).
 -  Amikor először használja a készüléket, hagyja 30 percig égni. Így el tudja távolítani a gyártás során a készülékre került zsír maradékait.
 -  Ekkor még ne tegye rá a rácsot a készülékre. Az üres rács eldeformálódhat, ha túl hosszú ideig tartja a melegben.
 -  **VIGYÁZAT!** Ne használjon alkoholt vagy benzint a tűz meggyújtásához vagy felélesztéséhez. Csak az EN 1860-3 szabvány szerinti begyújtókat használjon.
- 4 Akkor kezdhet grillezni, amikor a faszenet vékony hamuréteg borítja. Ez általában 15 percet vesz igénybe (2d ábra).
- 5 Tegye fel a rácsot a készülékre a tartóit a faszén edényen lévő horgokra akasztva. A készülék használatakor mindig ide tegye fel a rácsot.

 A készülék tárolásakor a rács tartóit a faszén edényen lévő horgok mellé tegye (3. ábra, 100. oldal). Amikor a rács az alsó helyzetben van, fel tudja tenni a készülék fedelét. Lásd még: "8.3 A készülék tárolása".

 A faszenet a Barbecue faszén begyújtóval is meggyújthatja. Amikor kész a faszén, csak öntse a faszén begyújtóból a készülék edényébe (1. ábra, 100. oldal).

7 HASZNOS TIPPEK ÉS TRÜKKÖK

7.1 Az étel megégésének megelőzése

Soha ne kezdjen grillezni, amíg lángok vannak a tűztérben, különben megég az étel. Grillezés előtt várja meg, amíg a faszenet vékony hamuréteg borítja.

7.2 Az étel leragadásának megelőzése

Ahhoz, hogy ne ragadjon az étel a rácsra:

- Mielőtt az ételt a rácsra helyezi kenje meg vékonyan olajjal. Magát a rácsot is beolajozhatja.
- Ne fordítsa meg túl hamar az ételt. Hagyja, hogy előbb kicsit átforrósodjon.

7.3 Fellángolások megelőzése

A fellángolások olyan lángok, amelyek grillezés közben tűnnek fel az edényben. Általában a kicsöppenő zsír vagy páclé okozza őket.

Grillezés közben előfordulhat néhány fellángolás. Azonban a túl sok fellángolás növeli a tűztérben a hőmérsékletet, és begyújthatja a felgyülemlett zsírt. A fellángolások elkerüléséhez:

- Gondoskodjon róla, hogy a tűztér tiszta, mielőtt grillezni kezd. Azt javasoljuk, minden használat után tisztítsa meg a tűzteret.
- Távolítsa el a felesleges zsírt és páclévet a húsról. A zsíros és/vagy pácolt húshoz grilltálcát is használhat.

8 A KÉSZÜLÉK KARBANTARTÁSA

8.1 A tűztér tisztítása

 A művelet főbb lépései a 101. oldal 4. ábráján láthatók.

Azt javasoljuk, minden használat után tisztítsa meg a tűzteret. A hamutartállyal ez nagyon gyorsan elvégezhető. Az alábbiak szerint járjon el:

- 1 Hagyja teljesen lehűlni a készüléket, és vegye le a rácsot.
- 2 Távolítsa el az alsó rácsot a tűztérből, és seperje a hamut a hamutartályba (4a ábra).
- 3 Emelje le a hamutartályt a tűztérről (4b ábra), és öntse a hamut egy vödörbe (4c ábra).
- 4 Tegye vissza a hamutartályt és az alsó rácsot a tűztérbe.
- 5 Tegye vissza a grillrácsot a készülékbe (a legalacsonyabb pozícióba), és tegye fel a fedelet (4d ábra).

8.2 A rács tisztítása

Azt javasoljuk, hogy minden használat után tisztítsa meg a grillrácsot Barbecue tisztítószerezellel.

 Igény szerint kímélő mosogatószerrel vagy szódabikarbónával is megtisztíthatja. Soha ne használjon sütőtisztítót a grillrácsra.

8.3 A készülék tárolása

Tárolja megfelelően a készüléket minden használat után. Az alábbiak szerint járjon el:

- 1 Tisztítsa meg a tűzteret és a rácsot. Lásd "8.1 A tűztér tisztítása" és "8.2 A rács tisztítása"
- 2 Tegye vissza a rácsot a készülékbe a lehető legalacsonyabbra.
- 3 Tegye rá a fedelet a készülékre.
- 4 Tárolja száraz helyen a készüléket (zárt térben, tető alatt...).

8.4 A rozsdásodás megelőzése

A hordó felső gyűrűje kissé hajlamos a rozsdásodásra. A folyamat lelassításához beolajozhatja a gyűrűt napraforgó olajjal.

i A rozsdá nem károsítja a hordót. Ha szereti a rusztikus kinézetet, ne foglalkozzon a hordó olajozásával.

8.5 A zománc, rozsdamentes acél, króm és porfestett alkatrészek karbantartása

A készülék zománcozott, rozsdamentes acél, krómozott és porfestett alkatrészekből áll. Az egyes anyagokat eltérően kell karbantartani:

Anyag	Hogyan kell karbantartani az anyagot
Zománc	<ul style="list-style-type: none">Ne használjon éles tárgyakat, és ne üsse hozzá kemény felülethez.Kerülje a hideg folyadékokkal való érintkezést, amíg forró.A tisztításhoz használhat fémszivacsot vagy súrolószert.
Rozsdamentes acél és króm	<ul style="list-style-type: none">Ne használjon maró hatású, ill. súroló- vagy fémtisztító szereket.Használjon enyhe tisztítószert, és hagyja hatni a fémen.Puha szivacsot vagy rongyot használjon.A tisztítást követően alaposan öblítse le, és tárolás előtt szárítsa meg.
Porfestett	<ul style="list-style-type: none">Ne használjon éles tárgyakat. Enyhe tisztítószereket és puha szivacsot vagy rongyot használjon.A tisztítást követően alaposan öblítse le, és tárolás előtt szárítsa meg.

⚠ A használati utasítás figyelmen kívül hagyása miatt keletkező károk helytelen karbantartásnak minősülnek, és nem tartoznak a garancia hatálya alá.

A készüléke robbantott ábrája alatt (a kézikönyv második részében) megtalálható a készüléket alkotó összes alkatrész listája. A listában lévő jelek mutatják, hogy az egyes alkatrészek milyen anyagból készültek, így ellenőrizni tudja, hogy az adott alkatrészt hogyan kell karbantartania. Az alkatrész listában az alábbi jelek láthatók:

Jelölés	Anyag
●	Zománc
▲	Króm
■	Rozsdamentes acél
★	Porfestett

8.6 Pótalkatrészek megrendelése

A tűzzel vagy az intenzív hővel közvetlenül érintkező alkatrészeket bizonyos időközönként ki kell cserélni. Pótalkatrészek rendelése:

1 Keresse ki a szükséges alkatrész azonosítószámát. Az összes azonosítószámot megtalálja a perspektivikus ábrák alatt a használati útmutató második részében, továbbá a www.barbecook.com webhelyen is.



Ha az interneten keresztül regisztrálta a készüléket, akkor a MyBarbecook-fiókja automatikusan átirányítja a megfelelő listához. Az adott helyen akár meg is rendelheti az alkatrészeket.

2 A pótalkatrészeket megrendelheti a www.barbecook.com webhelyen vagy az értékesítési pontokon. A garanciális alkatrészekkel kapcsolatos rendeléseket kizárólag az értékesítési pontokon lehet leadni.

9 GARANCIA

9.1 Garancia hatálya

A készülékre két év garanciát vállalunk, ami a vásárlás napjától kezdődik. A garancia minden gyártási hibára kiterjed, feltéve, ha:

- A jelen kézikönyvben szereplő utasításoknak megfelelően használta, szerelte össze és tartotta karban a készülékét. A helytelen használatból, nem megfelelő összeszerelésből, ill. nem megfelelő karbantartásból adódó károk nem minősülnek gyártási hibának.
- Be tudja mutatni a készülék nyugtáját.
- A Barbecook minőségügyi részlege megerősíti, hogy az alkatrészek hibásak, és normál használat, helyes összeszerelés és megfelelő karbantartás mellett bizonyultak hibásnak.

Ha a fenti feltételek valamelyike nem teljesül, nem kérhet semmilyen kártérítést. A garancia minden esetben csak a hibás alkatrész(ek) javítására vagy cseréjére vonatkozik.

9.2 Nem garanciális hibák

Az alábbi károk és hibák nem tartoznak a garancia hatálya alá:

- A tűzzel vagy intenzív hővel közvetlenül érintkező alkatrészek normál elhasználódása (rozsdásodás, deformálódás, elszíneződés, stb.). Az ilyen alkatrészek időnkénti cseréje normális.
- A gyártási folyamatnak betudható látható rendellenességek. Ezek a rendellenességek nem tekinthetők gyártási hibának.
- A nem megfelelő karbantartás, helytelen tárolás, illetve az előre összeszerelt alkatrészek helytelen összeállítása vagy módosítása miatti károk.
- A készülék helytelen használata (ha nem a jelen használati utasításnak megfelelően használja, kereskedelmi célra használja, stb.) miatti károk.
- A készülék gondatlan vagy nem megfelelő használata miatti következményes károk.
- A külső hatásra, agresszív tisztítószerek használata vagy klórral való érintkezés miatt keletkező rozsdá vagy elszíneződés. Ezek a károk nem tekinthetők gyártási hibának.

RO - GHID DE UTILIZARE

1 ÎNREGISTRAREA APARATULUI

Vă mulțumim că ați achiziționat un aparat Barbecue! O lume cu totul nouă vă așteaptă să o explorați, fie în pacea și liniștea naturii, fie în mijlocul agitației orașului. Deveniți un maestru al grătarului în comunitatea noastră #barbecue și dați-ne șansa să vă punem abilitățile în lumina reflectoarelor.

Înregistrați-vă aparatul Barbecue online și obțineți câteva beneficii importante:

- Aveți acces la manualul de utilizare complet și puteți cunoaște fiecare parte a aparatului.
- Beneficiați de service post-vânzare personalizat, permițându-vă să găsiți rapid piese de schimb și să beneficiați de service de cea mai bună calitate în perioada de garanție.
- Vă informăm cu privire la actualizările de produse și vă oferim sfaturi, trucuri și inspirație pentru a scoate la iveală masterul din dvs.

Sunteți gata de aventură? Înregistrați-vă produsul și intrați în comunitatea #barbecue!



Pentru mai multe informații despre înregistrarea aparatului, consultați informațiile de pe site-ul www.barbecue.com.



Barbecue vă respectă intimitatea. Datele dvs. nu vor fi vândute, distribuite sau partajate cu terți.

2 DESPRE ACEST MANUAL

Acest manual are două părți. Prima parte este cea pe care o citiți acum. Aceasta include instrucțiuni referitoare la asamblarea, utilizarea și întreținerea aparatului. A doua parte începe la pagina 97. Aceasta include mai multe tipuri de ilustrații:

- Prezentări pe părți componente, liste de piese și desene de asamblare a aparatelor descrise în acest manual.
- Ilustrațiile care vin în sprijinul celor mai importante instrucțiuni din prima parte a manualului.



Dacă este disponibilă o ilustrație pentru o instrucțiune particulară, găsiți o referință la ilustrația respectivă în instrucțiune. Aceste referințe sunt precedate de o pictogramă reprezentând un creion, precum cea pe care vedeți aici la stânga.

3 INSTRUCȚIUNI IMPORTANTE DE SIGURANȚĂ

Citiți instrucțiunile înainte de utilizarea aparatului. Respectați întotdeauna cu atenție instrucțiunile. Asamblarea sau utilizarea aparatului în mod diferit poate cauza incendii și pagube materiale.



Pagubele cauzate de nerespectarea instrucțiunilor (asamblare incorectă, utilizare greșită, întreținere inadecvată etc.) nu sunt acoperite de garanție.

- Nu lăsați aparatul nesupravegheat când este utilizat.
- **ATENȚIE!** Grătarul de frigere va fi foarte fierbinte, a nu se muta în timpul funcționării
- Utilizați protecție adecvată atunci când manipulați piese fierbinți.
- Păstrați materialele inflamabile, substanțele inflamabile și materialele solubile la distanță de aparat în timpul utilizării.
- După terminarea utilizării grătarului, înainte de depozitarea lui într-o incintă închisă, îndepărtați jăratecul și cenușa rămase în grătar.

- **ATENȚIE!** Îndepărtați copiii și animalele de grătarul de frigere
- Păstrați o găleată cu apă sau nisip în apropiere atunci când utilizați aparatul, în special în zilele foarte călduroase și în zonele uscate.
- **ATENȚIE!** A nu se utiliza în spații închise. Risc crescut de intoxicație cu monoxid de carbon.

Utilizați aparatul doar în aer liber. Utilizarea acestuia în spații închise, chiar și într-un garaj sau o magazie, poate cauza intoxicarea cu monoxid de carbon.

Întotdeauna când selectați un loc în aer liber:

- Așezați aparatul la cel puțin trei metri distanță de orice construcție, într-o zonă deschisă și bine ventilată.
- Asigurați-vă că aparatul nu se află sub o structură înclinată (o verandă, un adăpost etc.) sau sub frunze.
- Grătarul trebuie să fie instalat pe un suport ferm înainte de utilizare. Nu îl așezați niciodată pe un vehicul în mișcare (o barcă, o remorcă etc.).

4 NOȚIUNI REPETITIVE

Această parte include definiții ale unor noțiuni mai puțin cunoscute. Aceste noțiuni sunt utilizate în mai multe subiecte pe parcursul acestui manual.

4.1 Email

Unele părți ale aparatului sunt acoperite cu un strat de sticlă topită, numită email. Acest email protejează metalul de dedesubt împotriva coroziunii. Emailul este un material de calitate superioară: acesta este rezistent la rugină, nu se decolorează sub influența temperaturilor ridicate și este foarte ușor de întreținut.



Deoarece emailul este mai puțin flexibil decât metalul pe care îl acoperă, se pot desprinde bucăți de email atunci când manipulați aparatul incorect. Pentru a evita problemele, aveți grijă atunci când asamblați piesele emailate și întrețineți întotdeauna emailul după cum este descris în acest manual.

5 ASAMBLAREA APARATULUI

5.1 Instrucțiuni privind siguranța

- Nu modificați aparatul în timpul asamblării. Este foarte periculos și nepermis să modificați piesele aparatului.
- Respectați întotdeauna cu atenție instrucțiunile de asamblare.
- Asamblarea corectă a aparatului este responsabilitatea utilizatorului. Pagubele provocate de asamblarea incorectă nu sunt acoperite de garanție.

5.2 Asamblarea aparatului

Asamblați aparatul conform desenelor de asamblare.



Găsiți desenele de asamblare în partea a doua a acestui manual, după prezentarea pe părți componente a aparatului.



Nu aveți nevoie de unelte speciale pentru a asambla aparatul. Unealta pentru strângerea șuruburilor este furnizată împreună cu aparatul.

5.3 Înainte de fiecare utilizare

Puneți aparatul pe o bază stabilă, plană și curată și asigurați-vă că partea de jos a butoiului nu intră în contact cu solul. Picioarele din cauciuc ale grătarului au o funcție de izolare.

6 PREGĂTIREA APARATULUI PENTRU UTILIZARE

Aveți nevoie de cărbuni, material ușor inflamabil (care respectă standardul SR EN 1860-3) și de un chibrit lung.

6.1 Ce cărbuni ar trebui utilizați?

Aprindeți întotdeauna aparatul cu cărbune obișnuit, niciodată cu brichete de cărbune. Odată ce aparatul este aprins, puteți adăuga brichete de cărbune.

Folosiți cărbune de calitate pentru a aprinde aparatul, preferabil, cărbune care respectă standardul SR EN 1860-2. Cărbunele de calitate bună este compus din bucăți mari și lucioase și nu produce mult praf.

 Înainte de a depozita sacul cu cărbune, închideți-l bine. Depozitați-l întotdeauna într-un loc uscat și nu într-o pivniță.

 Puteți umple maximum 50% (maxim 1,2 kg) din recipientul pentru cărbuni. Umplerea recipientului până la un nivel mai mare poate deteriora grav grătarul din cauza căldurii excesive.

6.2 Aprinderea aparatului

 Pașii principali ai acestei acțiuni sunt ilustrați în Figurile 2 și 3, de la pagina 100.

- 1 Adăugați câteva materiale ușor inflamabile pe partea de jos a vasului (Fig. 2a). Utilizați întotdeauna materiale ușor inflamabile care respectă standardul SR EN 1860-3.
- 2 Acoperiți materialele ușor inflamabile cu cărbuni (Fig. 2b). Sugestii:

- Nu utilizați prea mulți cărbuni. Doar o treime din vas trebuie să fie umplută.
- Asigurați-vă că materialele ușor inflamabile sunt accesibile.
- Utilizați bucăți mici de cărbuni pentru a aprinde aparatul. Puteți adăuga ulterior bucăți mai mari.

- 3 Aprindeți materialele ușor inflamabile cu un chibrit lung (Fig. 2c).

 Atunci când utilizați aparatul pentru prima dată, lăsați focul să ardă timp de 30 de minute. Acest lucru permite îndepărtarea oricărui grăsimi rămase pe aparat în urma fabricației.

 Încă nu puneți grătarul pe aparat. Un grătar gol se poate deforma, atunci când este ținut în căldură prea mult timp.

 **ATENȚIE!** A nu se utiliza alcool sau benzină pentru aprindere sau re-aprindere! A se utiliza doar aprinzătoare în conformitate cu EN 1860-3

- 4 Începeți să gătiți numai dacă s-a format un strat de cenușă peste combustibil. Ez általában 15 per cent vesz igénybe (2d ábra).
- 5 Puneți grătarul pe aparat, cu suporturile pe cărligele vasului pentru cărbuni. Puneți întotdeauna grătarul în această poziție atunci când utilizați aparatul.

 Atunci când doriți să depozitați aparatul, puneți suporturile grătarului lângă cărligele vasului pentru cărbuni (Fig. 3, de la pagina 100). Atunci când grătarul este în această poziție inferioară, puteți pune capacul pe aparat. Consultați, de asemenea "8.3 Depozitarea aparatului".

 De asemenea, puteți aprinde cărbunii în cana pentru aprinderea cărbunilor Barbecook (223.3002.170). Atunci când cărbunii sunt pregătiți, turnați-i din cana pentru aprinderea cărbunilor în vasul aparatului (Fig. 1, pagina 100).

7 RECOMANDĂRI UTILE

7.1 Prevenirea arderii alimentelor

Pentru a preveni arderea preparatelor, nu începeți niciodată prepararea la grătar atunci când mai sunt prezente flăcări în vas. Așteptați până când cărbunii sunt acoperiți de un strat subțire de cenușă albă.

7.2 Prevenirea lipirii alimentelor

Pentru a preveni ca alimentele să se lipească pe grătar:

- Înainte de a le pune pe grătar, ungeți ușor alimentele cu o pensulă. De asemenea, puteți unge grătarul.
- Nu întoarceți alimentele prea repede. Lăsați-le să acumuleze căldură.

7.3 Evitarea flamelor

Flamele sunt flăcări care izbucnesc brusc din vas atunci când preparați la grătar. Acestea sunt cauzate, de obicei, de picurarea grăsimii sau a marinadei.

În timpul preparării la grătar, apariția câtorva flame este normală. Totuși, prea multe flame cresc temperatura în vas și pot aprinde grăsimea acumulată. Pentru a evita flamele:

- Înainte de a începe prepararea la grătar, asigurați-vă că vasul este curat. Vă recomandăm să curățați vasul după fiecare utilizare.
- Îndepărtați grăsimea în exces și marinata de pe carne. De asemenea, puteți utiliza o tavă de grătar pentru carnea grasă și/sau marinată.

8 ÎNTREȚINEREA APARATULUI

8.1 Curățarea vasului

 Pașii principali ai acestei acțiuni sunt ilustrați în Figura 4, de la pagina 101.

Vă recomandăm să curățați vasul după fiecare utilizare. Cu ajutorul containerului pentru cenușă, acest lucru se face foarte rapid. Procedați după cum urmează:

- 1 Lăsați aparatul să se răcească complet și scoateți grătarul.
- 2 Îndepărtați grătarul de jos din vas și strângeți cenușa cu o perie în containerul pentru cenușă (Fig. 4a).
- 3 Ridicați containerul pentru cenușă din vas (Fig. 4b) și răsturnați cenușa într-o găleată (Fig. 4c).
- 4 Puneți containerul pentru cenușă și grătarul de jos înapoi în vas.
- 5 Puneți grătarul înapoi în aparat (în poziția de jos) și acoperiți aparatul cu capacul (Fig. 4d).

8.2 Curățarea grătarului

Vă recomandăm să curățați grătarul după fiecare utilizare, cu soluție de curățare Barbecook.

 De asemenea, puteți curăța grătarul cu un detergent neagresiv sau cu bicarbonat de sodiu. Nu folosiți niciodată aparate de curățat cuptoare pentru grătar.

8.3 Depozitarea aparatului

Depozitați aparatul după fiecare utilizare. Procedați după cum urmează:

- 1 Curățați vasul și grătarul. Consultați "8.1 Curățarea vasului" și "8.2 Curățarea grătarului"
- 2 Puneți grătarul înapoi pe aparat, în cea mai joasă poziție.
- 3 Puneți capacul pe aparat.
- 4 Depozitați aparatul într-un loc uscat (spațiu închis, sub un adăpost etc.).

8.4 Limitarea formării ruginii

Inelul superior al cilindrului are tendința să ruginisească puțin. Pentru a încetini acest proces, puteți unge inelul cu ulei de floarea-soarelui.

 Rugina nu afectează cilindrul. Dacă vă place aspectul robust, nu ungeți cilindrul.

8.5 Întreținerea pieselor emailate, din oțel inoxidabil, cromate și a celor acoperite cu pulbere

Aparatul este compus din piese emailate, din oțel inoxidabil, cromate și acoperite cu pulbere. Fiecare material trebuie întreținut în mod diferit:

Material	Modul de întreținere a acestui material
Email	<ul style="list-style-type: none">• Nu utilizați obiecte ascuțite și nu loviți pe o suprafață dură.• Evitați contactul cu lichide reci în timp ce acesta este încă fierbinte.• Puteți folosi bureți metalici și detergenți abrazivi.
Oțel inoxidabil și crom	<ul style="list-style-type: none">• Nu folosiți detergenți agresivi, abrazivi sau pe bază de ioni metalici.• Folosiți detergenți cu acțiune delicată și lăsați-i să acționeze pe oțel.• Utilizați o lavetă sau un burete moale.• Înainte de depozitare, clătiți bine după curățare și uscați complet.
Acoperit cu pulbere	<ul style="list-style-type: none">• Nu utilizați obiecte ascuțite. Utilizați detergenți cu acțiune delicată și o lavetă sau un burete moale.• Înainte de depozitare, clătiți bine după curățare și uscați complet.

 Pagubele cauzate de nerespectarea acestor instrucțiuni sunt considerate ca întreținere inadecvată și nu sunt acoperite de garanție.

Sub prezentarea pe părți componente a aparatului dumneavoastră (partea a doua a manualului), găsiți o listă cu toate piesele din care este compus aparatul. Această listă include un simbol care specifică materialul din care este compusă fiecare piesă, astfel încât puteți să o utilizați pentru a verifica modul în care trebuie să întrețineți o anumită piesă. Listele de piese utilizează următoarele simboluri:

Simbol	Material
●	Email
▲	Crom

Simbol	Material
■	Oțel inoxidabil
★	Acoperit cu pulbere

8.6 Comandarea pieselor de schimb

Piese care sunt expuse direct la foc sau căldură intensă trebuie să fie înlocuite periodic. Pentru a comanda o piesă de schimb:

- 1 Căutați numărul de referință al piesei de care aveți nevoie. În partea a doua a acestui manual și pe www.barbecook.com găsiți o listă cu toate numerele de referință aflate sub vizualizării detaliate.



Dacă ați înregistrat aparatul online, veți fi îndrumat automat la lista corectă în contul dvs. MyBarbecue. Acolo aveți posibilitatea de a comanda piesele dvs. online.

- 2 Comandați piesa de schimb prin intermediul site-ului www.barbecook.com sau la punctul de vânzare. Piese aflate în garanție pot fi comandate numai de la punctul de vânzare.

9 GARANȚIE

9.1 Sunt acoperite

Aparatul dumneavoastră dispune de o garanție de doi ani, începând de la data achiziției. Această garanție acoperă toate defectele de fabricație, dacă:

- Utilizați, asamblați și întrețineți aparatul conform instrucțiunilor din acest manual. Pagubele cauzate de utilizarea greșită, asamblarea incorectă sau întreținerea inadecvată nu sunt considerate defecte de fabricație.
- Puteți prezenta factura aparatului.
- Departamentul de calitate al Barbecue confirmă că piesele sunt defecte și că acestea s-au dovedit defecte în timpul utilizării normale, asamblării corecte și întreținerii adecvate.

Dacă una dintre condițiile de mai sus nu este îndeplinită, nu puteți pretinde nicio despăgubire. În toate cazurile, garanția este limitată la repararea sau înlocuirea pieselor defecte.

9.2 Nu sunt acoperite

Următoarele pagube și defecte nu sunt acoperite de garanție:

- Uzura normală (ruginirea, deformarea, decolorarea etc.) pieselor care sunt expuse direct la foc sau la căldură intensă. Este normal să înlocuiți aceste piese din când în când.
- Neregularitățile vizibile care nu pot fi evitate în timpul procesului de fabricație. Aceste neregularități nu sunt considerate ca fiind defecte de fabricație.
- Toate daunele cauzate de întreținerea inadecvată, depozitarea incorectă, asamblarea greșită sau modificări aduse pieselor preasamblate.
- Toate daunele cauzate de utilizarea greșită și abuzivă a aparatului (neutilizarea acestuia în conformitate cu instrucțiunile din acest manual, utilizarea acestuia în scopuri comerciale etc.).
- Toate pagubele indirecte cauzate de utilizarea neglijentă sau neconformă a aparatului.
- Rugina sau decolorarea cauzate de influențe externe, utilizarea de detergenți agresivi, expunerea la clor etc. Aceste pagube nu sunt considerate ca fiind defecte de fabricație.

CZ - UŽIVATELSKÁ PŘÍRUČKA

1 REGISTRACE ZAŘÍZENÍ

Děkujeme vám za zakoupení zařízení Barbecook! Můžete začít objevovat zcela nový svět, ať se nacházíte v klidu a tichu přírody nebo uprostřed hluku moderního světa. Staňte se mistrem grilování v naší komunitě #barbecue a seznamte nás s vašimi grilovacími dovednostmi.

Zaregistrujte vaše zařízení Barbecook online a získáte důležité výhody:

- Můžete přistupovat ke kompletnímu návodu k použití a zevrubně se seznámit s vaším přístrojem.
- Můžete využívat individuální prodejně služby, rychle vyhledávat náhradní díly a využívat optimální záruční služby.
- Informujeme vás o produktových novinkách, seznamujeme vás s tipy a triky a poskytujeme vám grilspiraci, která z vás učiní mistra grilu.

Jste připraveni na dobrodružství? Zaregistrujte své zařízení a připojte se ke komunitě #barbecue!



Další informace o registraci vašeho zařízení najdete na webu www.barbecue.com.



Společnost Barbercook respektuje vaše soukromí. Vaše údaje nebudou prodávány, předávány ani sdíleny se třetími stranami.

2 O TÉTO PŘÍRUČCE

Tato příručka je tvořena dvěma částmi. První část je tak, kterou čtete právě nyní. Patří sem pokyny pro montáž, použití a údržbu spotřebiče. Druhá část začíná na straně 97. Zahrnuje všechny typy obrázků:

- Rozložené pohledy, seznamy součástí a montážní výkresy spotřebiče popsaného v této příručce.
- Obrázky vysvětlující nejdůležitější pokyny z první části příručky.



Pokud je obrázek určen pro specifický pokyn, naleznete odkaz na tento obrázek právě v pokynech v příručce. Tyto odkazy jsou označeny ikonou tužky, které je uvidět vlevo.

3 DŮLEŽITÉ BEZPEČNOSTNÍ POKYNY

Před použitím spotřebiče si prostudujte veškeré pokyny. Vždy pečlivě dodržujte pokyny. Montáž nebo použití spotřebiče jiným způsobem může způsobit požár a poškození materiálu.



Škody způsobené nedodržením následujících pokynů (nesprávná montáž, zneužití, nepřiměřená údržba) nejsou kryty zárukou.

- Neponechávejte spotřebič bez dozoru, je-li používán.
- **VÝSTRAHA!** Povrch rozně bude velmi horký, během provozu s ním nemanipulovat.
- Při manipulaci s horkými součástmi používejte vhodnou ochranu.
- Udržujte hořlavé materiály, hořlavé kapaliny a nerozpuštěné předměty mimo dosah používaného spotřebiče.
- **VÝSTRAHA!** Děti a domácí zvířata držet z dosahu.
- Při používání spotřebiče mějte po ruce kbelík s vodou nebo pískem, obzvláště pokud jej používáte v horkých dnech nebo na suchých místech.
- Nepoužívat v uzavřených prostorech.

Používejte spotřebič pouze ve venkovním prostředí. Pokud jej použijete uvnitř, například v garáži nebo pod přístřeškem, může to způsobit otravu oxidem uhelnatým.

Při výběru venkovního umístění vždy postupujte takto:

- Umístěte zařízení alespoň tři metry od budovy na otevřené a dobře větrané místo.
- Neumístěte zařízení pod převislou strukturu (pavlač, přístřešek...) ani pod listoví
- Před použitím je nezbytné umístit gril na bezpečné a rovné místo. V žádném případě jej neumístěte na vozidlo v pohybu (loď, přívěs...).

4 OPAKOVANÉ KONCEPTY

Tato část zahrnuje definice některých méně známých konceptů. Tyto koncepty jsou používány v několika tématech v této příručce.

4.1 Smalt

Některé části spotřebiče jsou pokryty vrstvou roztaveného skla, která se nazývá smalt. Tento smalt chrání spodní vrstvu kovu před korozi. Smalt je vysoce kvalitní materiál: je odolný vůči korozi, nebledne pod vlivem vysokých teplot a velmi snadno se udržuje.



Protože smalt je méně pružný než kov, který chrání, mohou se kusy smaltu odštípnout, pokud se spotřebičem nebudete zacházet opatrně. Chcete-li se vyhnout problémům, buďte při montáži smaltovaných součástí opatrní a vždy udržujte smalt způsobem popsaným v této příručce.

5 MONTÁŽ SPOTŘEBIČE

5.1 Bezpečnostní pokyny

- Při montáži spotřebič neměřte. Je velmi nebezpečné a proto zakázané měnit součásti spotřebiče.
- Vždy pečlivě dodržujte pokyny montáže.
- Uživatel je odpovědný za správnou montáž spotřebiče. Poškození způsobená nesprávnou montáží nejsou kryta zárukou.

5.2 Sestavení spotřebiče

Sestavte spotřebič způsobem znázorněným na montážních výkresech.



Montážní výkresy naleznete v druhé části této příručky, za rozloženým pohledem na spotřebič.



K montáži spotřebiče nebudete potřebovat žádné speciální nástroje. Nástroj pro dotažení šroubů se dodává se spotřebičem.

5.3 Před každým použitím

Zařízení umístěte na pevné, rovné a čisté místo a zajistěte, aby se spodní strana bubnu nedotýkala země. Gumové patky na grilu mají izolační funkci.

6 PŘÍPRAVA SPOTŘEBIČE NA POUŽITÍ

Budete potřebovat dřevěné uhlí, podpalovač (splňující normu EN 1860-3) a dlouhé zápalky.

6.1 Které dřevěné uhlí bych měl používat?

Vždy zapalujte svůj spotřebič pomocí tradičního dřevěného uhlí, nikdy pomocí briket. Jakkmile je spotřebič zažehnutý, můžete brikety přidat.

K zapálení spotřebiče používejte dřevěné uhlí dobré kvality, přednostně podle normy EN 1860-2. Dřevěné uhlí dobré kvality poznáte podle velkých lesklých kusů, ze kterých neodpadává mnoho prachu.

 Uzavřete řádně pytel s dřevěným uhlím a poté jej uložte. Vždy jej ukládejte na suchém místě, neskladujte jej ve sklepě.

 Mísu lze naplnit dřevěným uhlím lze maximálně z 50% (max 1,2 kg). Nadměrné množství uhlí v míse může způsobit vážné poškození grilu vlivem nadměrného žáru.

6.2 Zažehnutí spotřebiče

 Hlavní kroky tohoto úkolu jsou nakresleny na obrázku 2 a 3, na straně 100.

- 1 Vložte některé podpalovače na dno mísy (obrázek 2a). Vždy používejte podpalovače splňující normu EN 1860-3.
- 2 Zakryjte podpalovače dřevěným uhlím (obrázek 2b). Tipy:
 - Nepoužívejte příliš velké množství dřevěného uhlí. Mísa by měla být naplněna pouze do jedné třetiny.
 - Zkontrolujte, zda se stále můžete dostat k podpalovačům.
 - K zapálení spotřebiče používejte malé kusy dřevěného uhlí. Poté můžete přidat větší kusy.

- 3 Pomocí dlouhé zápalky zažehněte podpalovač (obrázek 2c).

 Při prvním použití spotřebiče jej nechte 30 minut volně hořet. Tím ze spotřebiče odstraníte zbývající výrobní mastnoty a nečistoty.

 Na spotřebič ještě nepokládejte grilovací rošt. Prázdný gril se může deformovat, pokud by byl příliš dlouho vystaven velkému žáru.

 **VÝSTRAHA!** K zapalování či opětovnému zapalování nepoužívat lih ani benzín! Používat pouze podpalovače v souladu s EN 1860-3!

- 4 Potraviny připravovat až na žhavých uhlících s vrstvou popela. Normálně to trvá asi 15 minut (obrázek 2d).
- 5 Položte gril na spotřebič podpěrami na háky mísy dřevěného uhlí. Vždy gril pokládejte na toto místo, když spotřebič používáte.

 Když chcete spotřebič uložit, položte opěrky grilu vedle háků mísy dřevěného uhlí (obrázek 3, strana 100). Když je gril v této dolní poloze, můžete na spotřebič umístit kryt. Viz také "8.3 Uskladnění spotřebiče".

 Dřevěné uhlí můžete také zažehnout v zapalovači dřevěného uhlí Barbecue (223.3002.170). Když je dřevěné uhlí připraveno, nasypete jej ze zapalovače do mísy spotřebiče (obrázek 1, strana 100).

7 UŽITEČNÉ TIPY A TRIKY

7.1 Jak zabránit spálení pokrmů

Chcete-li zabránit spálení pokrmů, nikdy nezačínáte grilovat, když jsou v míse stále plameny. Vyčkejte, dokud dřevěné uhlí není pokryto tenkou vrstvou bílého popela.

7.2 Jak zabránit ulpívání pokrmů

Chcete-li zabránit pokrmům, aby ulpívaly ke grilu:

- Lehce potřete pokrm olejem, než jej položíte na gril. Můžete také potřít olejem samotný gril.
- Pokrmy neotáčejte příliš často. Nechte jej nejprve trochu prohřát.

7.3 Ochrana před prudkým vzplanutím

Prudká vzplanutí jsou náhlé plameny, které vylétnou z mísy, když grilujete. Obvykle jsou způsobeny odkapávající tukem nebo marinádou.

Během grilování je občasné prudké vzplanutí normální. Příliš časté prudké vzplanutí však zvyšuje teplotu mísy a může způsobit zažehnutí nashromážděného tuku. Jak zabránit prudkým vzplanutím:

- Před grilováním zkontrolujte, zda je mísa čistá. Doporučujeme mísu po každém použití vyčistit.
- Odstraňte nadbytečný tuk a marinádu z masa. Pro tučné nebo marinované maso můžete také použít grilovací mísu.

8 ÚDRŽBA SPOTŘEBIČE

8.1 Čištění mísy

 Hlavní kroky tohoto úkolu jsou nakresleny na obrázku 4, na straně 101.

Doporučujeme mísu po každém použití vyčistit. S popelníkem je tento krok proveden velmi rychle. Postupujte následujícím způsobem:

- 1 Nechte spotřebič úplně vychladnout a sejměte gril.
- 2 Vyjměte spodní rošt z mísy a kartáčem otřete popel do popelníku (obrázek 4a).
- 3 Zvedněte popelník z mísy (obrázek 4b) a nasypete popel do kbelíku (obrázek 4c).
- 4 Položte popelník a dolní rošt zpět do mísy.
- 5 Položte gril zpět do spotřebiče (do nejnižší pozice) a kryt nasadte zpět na spotřebič (obrázek 4d).

8.2 Čištění grilu

Po každém grilování doporučujeme očistit gril čističem Barbecue.

 K čištění grilu lze rovněž použít jemný prostředek na mytí nádobí nebo uhličitán sodný. K čištění grilu v žádném případě nepoužívejte čističe trub.

8.3 Uskladnění spotřebiče

Po každém použití spotřebič řádně uložte. Postupujte následujícím způsobem:

- 1 Vyčistěte mísu a gril. Viz "8.1 Čištění mísy" a "8.2 Čištění grilu"
- 2 Uložte gril zpět na spotřebič do nejnižší polohy.
- 3 Položte kryt na spotřebič.
- 4 Uložte spotřebič na suchém místě (uvnitř, pod přístřeškem atd.).

8.4 Omezení vytváření prachu

Horní kruh sudu má tendenci mírně korodovat. Abyste tento proces zpomalili, můžete kruh mírně namazat slunečnicovým olejem.

i Koroze nijak sud nepoškozuje. Pokud máte rádi masivní vzhled, nemusíte se olejováním sudu nijak zabývat.

8.5 Údržba součástí opatřených ochrannou vrstvou emailu, chromu nebo práškového laku nebo z nerezové oceli

Spotřebič je tvořen smaltovanými součástmi, součástmi z nerezové oceli, chromovanými nebo práškovým lakem chráněnými součástmi. Každý materiál musí být udržován odlišným způsobem:

Materiál	Jak udržovat tento materiál
Smalt	<ul style="list-style-type: none">Nepoužívejte ostré předměty a neklepejte na tvrdý povrch.Zabraňte kontaktu se studenými kapalinami, dokud je spotřebič stále horký.Používejte kovové houby a abrazivní čisticí prostředky.
Nerezová ocel a chrom	<ul style="list-style-type: none">Nepoužívejte agresivní, abrazivní nebo kov obsahující čisticí prostředky.Používejte jemné čisticí prostředky a nechte je na oceli nějakou dobu působit.Používejte měkkou houbu nebo tkaninu.Po čištění důkladně opláchněte a před uskladněním vysušte.
Práškový lak	<ul style="list-style-type: none">Nepoužívejte ostré předměty. Používejte jemný čisticí prostředek, měkkou houbu nebo tkaninu.Po čištění důkladně opláchněte a před uskladněním vysušte.

⚠ Škody způsobené nedodržením následujících pokynů jsou považovány za neodpovídající údržbu a nejsou proto kryty zárukou.

Pod rozloženým pohledem na spotřebič (druhá část příručky) naleznete seznam všech součástí, ze kterých je zařízení sestaveno. Tento seznam zahrnuje symbol stanovující materiál každé součásti, takže jej můžete použít k ověření způsobu údržby specifické součásti. Seznam součástí používá následující symboly:

Symbol	Materiál
●	Smalt
▲	Chrom
■	Nerezová ocel
★	Práškový lak

8.6 Objednávání náhradních součástí

Díly, které jsou přímo vystaveny ohni nebo intenzivnímu žáru, je nutno čas od času vyměnit. Pokyny pro objednání náhradního dílu:

1 Vyhledejte referenční číslo potřebného dílu. Seznam všech referenčních čísel najdete pod podrobnými schématy v druhé části tohoto návodu nebo na webu www.barbecook.com.

💡 Pokud jste zaregistrovali vaše zařízení online, budete automaticky přesměrováni na správný seznam na vašem účtu MyBarbecook. Zde máte možnost objednávat náhradní díly online.

2 Objednejte náhradní díl na webu www.barbecook.com nebo u vašeho prodejce. Díly v záruce lze objednat pouze u vašeho prodejce.

9 ZÁRUKA

9.1 Co je kryto

Váš spotřebič se dodává se zárukou po dobu dvou let, počínaje dnem nákupu. Tato záruka kryje všechny výrobní závady za následujících předpokladů:

- Spotřebič jste používali, smontovali a udržovali podle pokynů v této příručce. Poškození způsobené zneužitím, nesprávnou montáží nebo nepřiměřenou údržbou nejsou považovány za výrobní vady.
- Můžete předložit stvrzenku o koupi svého spotřebiče
- Oddělení kvality Barbecook ověřuje, že součásti jsou vadné a že se ukázaly vadnými při normálním použití, správné montáži a přiměřené údržbě.

Pokud jedna z výše uvedených podmínek není splněna, nemůže si jakoukoliv záruku nárokovat. Ve všech případech je záruka omezena na opravu nebo výměnu vadné součásti.

9.2 Co není kryto

Následující škody a vady nejsou zárukou kryty:

- Normální opotřebování (koroze, deformace, odbarvení...) součástí, které jsou přímo vystaveny působení ohně nebo intenzivního tepla. Je normální, že tyto součásti budou občas potřebovat výměnu.
- Vizuální nepravidelnosti jsou běžné v důsledku výrobního procesu. Tyto nepravidelnosti nejsou považovány za výrobní vady.
- Všechny škody způsobené nepřiměřenou údržbou, nesprávným skladováním, montáží nebo změnami provedenými na předem sestavených součástech.
- Všechny škody způsobené zneužitím a nesprávným použitím spotřebiče (nepoužívání podle pokynů této příručky, používání pro komerční účely...).
- Všechny následné škody způsobené neopatrným nebo nesprávným použitím spotřebiče.
- Koroze nebo odbarvení způsobené externími vlivy, použití agresivních čisticích prostředků, působení chlóru.... Tato poškození nejsou považovány za výrobní vady.

ΕΛ - ΟΔΗΓΪΕΣ ΧΡΪΣΗΣ

1 ΔΪΛΩΣΗ ΤΗΣ ΣΥΣΚΕΥΪΣ ΣΑΣ

Ευχαριστούμε που αγοράσατε μια συσκευή Barbecook! Ένας ολόκληρος νέος κόσμος σας περιμένει για να τον εξερευνήσετε, είτε στην ησυχία και τη γαλήνη της φύσης είτε στην πολυάσχολη και θορυβώδη πόλη. Γίνετε αρχιψήστης στην κοινότητά μας #barbecook και αφήστε μας να αναδείξουμε τις ψηστικές σας ικανότητες.

Καταχωρίστε τη συσκευή σας Barbecook στο διαδίκτυο και αποκτήστε κάποια σημαντικά οφέλη:

- Αποκτάτε πρόσβαση στο πλήρες εγχειρίδιο χρήσης και γνωρίζετε κάθε μέρος της συσκευής σας.
- Έχετε εξατομικευμένη εξυπηρέτηση μετά την πώληση, που σας επιτρέπει να βρίσκετε γρήγορα ανταλλακτικά και επωφελείστε από μια βέλτιστη υπηρεσία εγγύησης.
- Σας ενημερώνουμε σχετικά με τις ενημερώσεις των προϊόντων και σας προσφέρουμε συμβουλές, τεχνάσματα και έμπνευση για το ψήσιμο, για να αναδείξουμε τον αρχιψήστη που κρύβεται μέσα σας.

Είστε έτοιμοι για μια περιπέτεια; Καταχωρίστε το προϊόν σας και λάβετε μέρος στην κοινότητα #barbecook!

 Για περισσότερες πληροφορίες σχετικά με την καταχώριση της συσκευής σας, ανατρέξτε στη διεύθυνση www.barbecook.com.

 Η Barbecook σέβεται τα προσωπικά σας δεδομένα. Τα δεδομένα σας δεν θα πωληθούν, διανεμηθούν ή κοινοποιηθούν σε τρίτα μέρη.

2 ΣΧΕΤΙΚΆ ΜΕ ΑΥΤΌ ΤΟ ΕΓΧΕΙΡΪΔΙΟ

Αυτό το εγχειρίδιο αποτελείται από δύο μέρη. Το πρώτο μέρος είναι αυτό που διαβάζετε αυτήν τη στιγμή. Περιλαμβάνει οδηγίες για τη συναρμολόγηση, τη χρήση και τη συντήρηση της συσκευής σας. Το δεύτερο μέρος ξεκινά στη σελίδα 97. Περιλαμβάνει όλα τα είδη απεικονίσεων:

- Αναλυτικές προβολές, λίστες εξαρτημάτων και σχεδιαγράμματα συναρμολόγησης των συσκευών που περιγράφονται σε αυτό το εγχειρίδιο.
- Εικόνες που εξηγούν τις πιο σημαντικές οδηγίες του πρώτου μέρους του εγχειριδίου.
-  Εάν υπάρχει διαθέσιμη εικόνα για κάποια συγκεκριμένη οδηγία, θα βρείτε στην οδηγία την παραπομπή για την αντίστοιχη εικόνα. Αυτές οι παραπομπές έχουν στο πλάι ένα εικονίδιο μολυβιού, όπως αυτό που βλέπετε αριστερά.

3 ΣΗΜΑΝΤΙΚΈΣ ΟΔΗΓΪΕΣ ΑΣΦΑΛΕΪΑΣ

Διαβάστε τις οδηγίες προτού χρησιμοποιήσετε τη συσκευή. Ακολουθείτε πάντοτε προσεκτικά τις οδηγίες. Εάν συναρμολογήσετε ή χρησιμοποιήσετε με διαφορετικό τρόπο τη συσκευή, μπορεί να προκληθεί πυρκαγιά και ζημιά.

-  Ζημιές που προκαλούνται από αμέλεια τήρησης των οδηγιών (κακή συναρμολόγηση, κακή χρήση, ανεπαρκής συντήρηση κλπ.) δεν καλύπτονται από την εγγύηση.
- Μην αφήνετε τη συσκευή χωρίς παρακολούθηση κατά τη χρήση.
- ΠΡΟΕΙΔΟΠΟΙΗΣΗ! Κατά τη χρήση της, η συσκευή θα καίει, συνεπώς μην τη μετακινείτε.
- Λάβετε τα κατάλληλα προστατευτικά μέτρα όταν χειρίζεστε τμήματα που καίνε.
- Κρατάτε εύφλεκτα υλικά, εύφλεκτα υγρά ή διαλυτά αντικείμενα μακριά από τη συσκευή κατά τη χρήση της.

- ΠΡΟΕΙΔΟΠΟΙΗΣΗ! Κατά τη χρήση, κρατήστε τα παιδιά και τα κατοικίδια μακριά από τη συσκευή.
- Έχετε κοντά σας έναν κουβά νερό ή άμμο όταν χρησιμοποιείτε τη συσκευή, ιδιαίτερα τις πολύ ζεστές ημέρες ή όταν βρίσκεστε σε ξηρό περιβάλλον.
- ΠΡΟΕΙΔΟΠΟΙΗΣΗ! Μη χρησιμοποιείτε τη συσκευή σε εσωτερικό χώρο.

Χρησιμοποιείτε τη συσκευή μόνο σε υπαίθριο χώρο. Εάν τη χρησιμοποιήσετε σε κλειστό χώρο, ακόμη και σε γκαράζ ή εξωτερική αποθήκη, μπορεί να προκληθεί δηλητηρίαση από μονοξείδιο του άνθρακα.

Όταν επιλέγετε μια θέση σε ανοιχτό χώρο, προσέχετε πάντα:

- Τοποθετείτε τη συσκευή σε απόσταση τουλάχιστον τριών μέτρων από τα κτίρια, σε ανοιχτό και καλά αεριζόμενο χώρο.
- Βεβαιωθείτε ότι η συσκευή δεν βρίσκεται κάτω από κάποια προεξοχή (κάσα πόρτας, στέγαστρο...) ή κάτω από φύλλωμα.
- Η ψησταριά πρέπει να τοποθετείται σε ασφαλή, επίπεδη βάση πριν από τη χρήση. Μην την τοποθετείτε ποτέ σε κινούμενο όχημα (σκάφος, τρέιλερ...)

4 ΕΠΑΝΑΛΑΜΒΑΝΌΜΕΝΕΣ ΈΝΝΟΙΕΣ

Αυτό το μέρος περιλαμβάνει ορισμούς για κάποιες λιγότερο γνωστές έννοιες. Αυτές οι έννοιες χρησιμοποιούνται σε διάφορες ενότητες του εγχειριδίου.

4.1 Εμαγιέ

Ορισμένα μέρη της συσκευής καλύπτονται με μια επίστρωση λιωμένου γυαλιού, που ονομάζεται εμαγιέ. Αυτή η επίστρωση προστατεύει το μέταλλο από τη διάβρωση. Το εμαγιέ είναι υλικό υψηλής ποιότητας: αντέχει στη σκουριά, δεν φθείρεται κατά την έκθεση σε υψηλές θερμοκρασίες και είναι πολύ εύκολο στη συντήρηση.



Επειδή η επίστρωση εμαγιέ είναι λιγότερο ελαστική από το μέταλλο που καλύπτει, το εμαγιέ μπορεί να ξεφλουδίσει εάν χειρίζεστε τη συσκευή απρόσεκτα. Για να αποφύγετε προβλήματα, να είστε προσεκτικοί κατά τη συναρμολόγηση των τμημάτων με επίστρωση εμαγιέ και να φροντίζετε την επίστρωση όπως περιγράφεται παρακάτω στο εγχειρίδιο.

5 ΣΥΝΑΡΜΟΛΌΓΗΣΗ ΤΗΣ ΣΥΣΚΕΥΪΣ

5.1 Οδηγίες ασφαλείας

- Μην τροποποιείτε τη συσκευή κατά τη συναρμολόγηση. Είναι πολύ επικίνδυνο και δεν επιτρέπεται να αλλάζετε τα εξαρτήματα της συσκευής.
- Ακολουθείτε πάντοτε προσεκτικά τις οδηγίες συναρμολόγησης.
- Ο χρήστης είναι υπεύθυνος για τη σωστή συναρμολόγηση της συσκευής. Ζημιές που προκαλούνται από κακή συναρμολόγηση δεν καλύπτονται από την εγγύηση.

5.2 Για να συναρμολογήσετε τη συσκευή

Συναρμολογήστε τη συσκευή όπως δείχνουν τα σχεδιαγράμματα συναρμολόγησης.

 Θα βρείτε τα σχεδιαγράμματα συναρμολόγησης στο δεύτερο μέρος αυτού του εγχειριδίου, ύστερα από την αναλυτική προβολή των εξαρτημάτων της συσκευής σας.

 Μη χρησιμοποιείτε ειδικά εργαλεία για να συναρμολογήσετε τη συσκευή. Το εργαλείο για τη σύσφιξη των βιδών παρέχεται με τη συσκευή.

5.3 Πριν από κάθε χρήση

Τοποθετήστε τη συσκευή πάνω σε μια σταθερή, επίπεδη και καθαρή βάση και βεβαιωθείτε ότι το κάτω μέρος του βαρελιού δεν έρχεται σε επαφή με το έδαφος. Τα πόδια από καουτσούκ που διατίθενται με το μπάρμπεκιου διαθέτουν λειτουργία απομόνωσης.

6 ΠΡΟΕΤΟΙΜΑΣΙΑ ΤΗΣ ΣΥΣΚΕΥΗΣ ΓΙΑ ΧΡΗΣΗ

Χρειάζεστε κάρβουνα, προσανάμματα (σύμφωνα με το EN 1860-3) και ένα μακρύ σπίρτο.

6.1 Τι κάρβουνα πρέπει να χρησιμοποιώ;

Ανάβετε πάντα τη συσκευή σας με παραδοσιακά κάρβουνα, ποτέ με μπρικέτες. Αφού ανάψετε τη συσκευή σας, μπορείτε να προσθέσετε μπρικέτες.

Χρησιμοποιείτε καλής ποιότητας κάρβουνα για να ανάψετε τη συσκευή, κατά προτίμηση συμβατά με το πρότυπο EN 1860-2. Τα κάρβουνα καλής ποιότητας αποτελούνται από μεγάλα, καθαρά κομμάτια που δεν βγάζουν πολλή σκόνη.

 Κλείνετε καλά τη σακούλα με τα κάρβουνα προτού την αποθηκεύσετε. Αποθηκεύετε τα κάρβουνα πάντα σε ξηρό μέρος, όχι σε υπόγειο.

 Γεμίστε το μέγιστο 50% (μέγιστο 1,2 kg) της μπανιέρας με κάρβουνο. Η υπερπλήρωση της μπανιέρας μπορεί να βλάψει σοβαρά το μπάρμπεκιου σας λόγω της υπερβολικής ζέστης.

6.2 Άναμμα της συσκευής

 Τα βασικά βήματα αυτής της εργασίας περιγράφονται στην εικόνα 2 και 3, στη σελίδα 100.

- 1 Βάλτε μερικά προσανάμματα στο κάτω μέρος της εστίας (μπολ) (Εικ. 2α). Χρησιμοποιήστε πάντα προσανάμματα που συμμορφώνονται με το πρότυπο EN 1860-3.
- 2 Καλύψτε τα προσανάμματα με κάρβουνο (Εικ. 2β). Συμβουλές:
 - Μη χρησιμοποιείτε πάρα πολύ κάρβουνο. Το μπολ θα πρέπει να είναι γεμάτο μόνο κατά το ένα τρίτο.
 - Βεβαιωθείτε ότι εξακολουθείτε να έχετε πρόσβαση στα προσανάμματα.
 - Για να ανάψετε τη συσκευή, χρησιμοποιήστε μικρά κομμάτια κάρβουνο. Στη συνέχεια, μπορείτε να προσθέσετε μεγαλύτερα κομμάτια.
- 3 Με ένα μακρύ σπίρτο ανάψτε τα προσανάμματα (Εικ. 2γ).

 Με ένα μακρύ σπίρτο, ανάψτε το χαρτί μέσω των οπών εξαερισμού (Εικόνα 3β). Το αναμμένο χαρτί μπορεί να δημιουργήσει πυκνό καπνό.

 Μην τοποθετείτε ακόμη τη σχάρα στη συσκευή. Η άδεια σχάρα μπορεί να παραμορφωθεί όταν μένει στη φωτιά για πολλή ώρα.

 Προειδοποίηση! Μη χρησιμοποιείτε οινόπνευμα ή βενζίνη για να ανάψετε τη συσκευή. Χρησιμοποιήστε μόνο προσανάμματα που συμμορφώνονται με το πρότυπο EN 1860-3.

- 4 Μπορείτε να ξεκινήσετε το ψήσιμο μόλις το κάρβουνο καλυφθεί από λεπτό στρώμα λευκής στάχτης. Κανονικά, αυτό χρειάζεται περίπου 15 λεπτά (Εικόνα 2δ).

- 5 Τοποθετήστε τη σχάρα στη συσκευή με τα στηρίγματά της στους γάντζους του μπολ κάρβουνο. Τοποθετείτε τη σχάρα σε αυτήν τη θέση πάντα όταν χρησιμοποιείτε τη συσκευή.

 Όταν θέλετε να αποθηκεύσετε τη συσκευή, τοποθετήστε τα στηρίγματα της σχάρας δίπλα στους γάντζους του μπολ κάρβουνο (Εικ. 3, στη σελίδα 100). Όταν η σχάρα είναι σε αυτήν τη χαμηλότερη θέση, μπορείτε να τοποθετήσετε το κάλυμμα στη συσκευή. Δείτε επίσης “8.3 Αποθήκευση της συσκευής”.

 Μπορείτε επίσης να ανάψετε τα κάρβουνα μέσα στη συσκευή ανάμματος κάρβουνων Barbecue (223.3002.170). Όταν τα κάρβουνα είναι έτοιμα, απλώστε τα από τη συσκευή ανάμματος κάρβουνων μέσα στην εστία (μπολ) της συσκευής (Εικ. 1, σελίδα 100).

7 ΧΡΗΣΙΜΕΣ ΣΥΜΒΟΥΛΕΣ ΚΑΙ ΥΠΟΔΕΙΞΕΙΣ

7.1 Αποφυγή καψίματος του φαγητού

Για να αποφύγετε το κάψιμο του φαγητού, μην ξεκινάτε ποτέ το ψήσιμο όταν ακόμα υπάρχουν φλόγες στο μπολ. Περιμένετε μέχρι το κάρβουνο να καλυφθεί από λεπτό στρώμα λευκής στάχτης.

7.2 Αποφυγή κολλήματος του φαγητού

Για να αποφύγετε το κόλλημα του φαγητού στη σχάρα:

- Λαδώστε ελαφρώς το φαγητό με ένα πινέλο προτού το τοποθετήσετε στη σχάρα. Μπορείτε επίσης να λαδώσετε την ίδια τη σχάρα.
- Μην γυρίζετε το φαγητό πολύ γρήγορα. Αφήστε το πρώτα να ψηθεί λίγο.

7.3 Πώς να αποφύγετε τις ξαφνικές φλόγες

Οι ξαφνικές φλόγες είναι μεγάλες, απότομες φλόγες που εκτινάσσονται από το μπολ κατά το ψήσιμο. Προκαλούνται συνήθως από λίπος ή μαρινάδα που στάζει.

Κατά το ψήσιμο, είναι πιθανό να εμφανίζονται ξαφνικές φλόγες. Τυχόν μεγάλος αριθμός από ξαφνικές μεγάλες φλόγες αυξάνει τη θερμοκρασία στο δοχείο και μπορεί να προκαλέσει ανάφλεξη συσσωρευμένου λίπους. Για να αποφύγετε τις ξαφνικές φλόγες:

- Βεβαιωθείτε ότι το μπολ είναι καθαρό προτού ξεκινήσετε το ψήσιμο. Συνιστούμε να καθαρίζετε το μπολ ύστερα από κάθε χρήση.
- Αφαιρέστε το υπερβολικό λίπος και τη μαρινάδα από το κρέας. Επίσης, για τα πολύ λιπαρά ή μαριναρισμένα κρέατα, μπορείτε να χρησιμοποιήσετε ταψί.

8 ΣΥΝΤΗΡΗΣΗ ΤΗΣ ΣΥΣΚΕΥΗΣ

8.1 Καθαρισμός του μπολ

 Τα βασικά βήματα αυτής της εργασίας περιγράφονται στην Εικόνα 4, στη σελίδα 101.

Συνιστούμε να καθαρίζετε το μπολ ύστερα από κάθε χρήση. Με τον περιέκτη στάχτης, αυτό γίνεται σε χρόνο μηδέν. Προχωρήστε ως εξής:

- 1 Αφήστε τη συσκευή να κρυώσει εντελώς και βγάλτε τη σχάρα.
- 2 Αφαιρέστε το κάτω πλέγμα από το μπολ και σκουπίστε τις στάχτες μέσα στον αγωγό (Εικόνα 4α).
- 3 Ανασηκώστε τον περιέκτη στάχτης από το μπολ (Εικόνα 4β) και ρίξτε τις στάχτες μέσα σε έναν κουβά (Εικόνα 4γ).

- 4 Τοποθετήστε τον περιέκτη στάχτης και το κάτω πλέγμα ξανά στο μπολ.
- 5 Επανατοποθετήστε τη σχάρα στη συσκευή (στην πιο χαμηλή θέση) και τοποθετήστε το κάλυμμα της συσκευής (Εικόνα 4δ).

8.2 Καθαρισμός της σχάρας

Συνιστούμε να καθαρίζετε τη σχάρα έπειτα από κάθε χρήση, με ένα καθαριστικό της Barbecook.

 Μπορείτε επίσης να καθαρίσετε τη σχάρα με ένα μαλακό απορρυπαντικό ή με διττανθρακική σόδα. Μη χρησιμοποιείτε ποτέ καθαριστικά φούρνου στη σχάρα.

8.3 Αποθήκευση της συσκευής

Αποθηκεύστε τη συσκευή μετά από κάθε χρήση. Προχωρήστε ως εξής:

- 1 Καθαρίστε το μπολ και τη σχάρα. Δείτε “8.1 Καθαρισμός του μπολ” και “8.2 Καθαρισμός της σχάρας”
- 2 Επανατοποθετήστε τη σχάρα στη συσκευή στη χαμηλότερη θέση.
- 3 Τοποθετήστε το κάλυμμα στη συσκευή.
- 4 Φυλάσσετε τη συσκευή σε στεγνό μέρος (σε εσωτερικό χώρο, κάτω από υπόστεγο...) μετά από κάθε χρήση.

8.4 Περιορισμός του σχηματισμού σκουριάς

Ο επάνω δακτύλιος του βαρελιού έχει την τάση να σκουριάζει ελαφρώς. Για να επιβραδύνετε αυτή τη διαδικασία, μπορείτε να λιπάνετε τον δακτύλιο με ηλιέλαιο.

 Η σκουριά δεν βλάπτει το βαρέλι. Αν δεν έχετε πρόβλημα με την όψη του βαρελιού, μην το λιπάνετε.

8.5 Συντήρηση τμημάτων εμαγιέ, ανοξειδωτού χάλυβα και με επίστρωση χρωμίου και πούδρας

Η συσκευή είναι κατασκευασμένη από τμήματα εμαγιέ, ανοξειδωτού χάλυβα, με επίστρωση χρωμίου και πούδρας. Κάθε υλικό πρέπει να συντηρείται με διαφορετικό τρόπο:

Υλικό	Τρόπος φροντίδας του υλικού
Εμαγιέ	<ul style="list-style-type: none"> • Να αποφεύγεται η χρήση αιχμηρών αντικειμένων και τα χτυπήματα σε σκληρές επιφάνειες. • Να αποφεύγεται η επαφή με κρύα υγρά όταν είναι ακόμη ζεστό. • Μπορείτε να χρησιμοποιήσετε μεταλλικά σφουγγάρια και σιλβωτικά απορρυπαντικά.
Ανοξειδωτος χάλυβας και χρώμιο	<ul style="list-style-type: none"> • Μη χρησιμοποιείτε σκληρά, σιλβωτικά ή μεταλλικά απορρυπαντικά. • Χρησιμοποιήστε μαλακά απορρυπαντικά, τα οποία αφήνετε να δράσουν στο χάλυβα. • Χρησιμοποιήστε μαλακό σφουγγάρι ή ύφασμα. • Ξεπλύνετε καλά μετά τον καθαρισμό και στεγνώστε καλά πριν από τη φύλαξη.
Επίστρωση πούδρας	<ul style="list-style-type: none"> • Μη χρησιμοποιείτε αιχμηρά αντικείμενα. Χρησιμοποιήστε μαλακά απορρυπαντικά και μαλακό σφουγγάρι ή ύφασμα. • Ξεπλύνετε καλά μετά τον καθαρισμό και στεγνώστε καλά πριν από τη φύλαξη.



Ζημιές που προκαλούνται από αμέλεια τήρησης αυτών των οδηγιών θεωρούνται ανεπαρκής συντήρηση και δεν καλύπτονται από την εγγύηση.

Κάτω από την αναλυτική προβολή της συσκευής σας (δεύτερο μέρος του εγχειριδίου), θα βρείτε μια λίστα με όλα τα εξαρτήματα από τα οποία αποτελείται η συσκευή. Αυτή η λίστα περιλαμβάνει ένα σύμβολο που προσδιορίζει το υλικό κάθε εξαρτήματος, για να γνωρίζετε πώς μπορείτε να συντηρήσετε κάθε συγκεκριμένο εξάρτημα. Η λίστα εξαρτημάτων χρησιμοποιεί τα παρακάτω σύμβολα:

Σύμβολο	Υλικό
●	Εμαγιέ
▲	Χρώμιο
■	Ανοξειδωτος χάλυβας
★	Επίστρωση πούδρας

8.6 Παραγγελία ανταλλακτικών

Τα μέρη που είναι απευθείας εκτεθειμένα στη φωτιά ή σε έντονη θερμότητα πρέπει να αντικαθιστώνται κάθε τόσο. Για να παραγγείλετε ένα ανταλλακτικό:

- 1 Αναζητήστε τον αριθμό αναφοράς του ανταλλακτικού που χρειάζεστε. Θα βρείτε έναν κατάλογο με όλους τους αριθμούς αναφοράς κάτω από τις μεγεθυσμένες εικόνες, στο δεύτερο μέρος αυτού του εγχειριδίου και στη διεύθυνση www.barbecook.com.



Εάν καταχωρίσατε τη συσκευή σας στο διαδίκτυο, θα μεταβείτε αυτόματα στον σωστό κατάλογο, στο MyBarbecook account. Εκεί έχετε τη δυνατότητα να παραγγείλετε τα ανταλλακτικά σας μέσω διαδικτύου.

- 2 Παραγγείλετε το ανταλλακτικό μέσω του δικτυακού τόπου www.barbecook.com ή στο σημείο πώλησής σας. Μπορείτε να παραγγείλετε τα ανταλλακτικά που καλύπτονται από εγγύηση μόνο στο σημείο πώλησης.

9 ΕΓΓΥΗΣΗ

9.1 Τι καλύπτεται

Η συσκευή σας συνοδεύεται από εγγύηση δύο ετών, ξεκινώντας από την ημερομηνία αγοράς. Αυτή η εγγύηση καλύπτει όλα τα σφάλματα κατασκευής, με την προϋπόθεση ότι:

- Χρησιμοποιήσατε, συναρμολογήσατε και συντηρήσατε τη συσκευή σύμφωνα με τις οδηγίες αυτού του εγχειριδίου. Οι ζημιές που προκλήθηκαν από κακή χρήση, εσφαλμένη συναρμολόγηση ή ανεπαρκή συντήρηση δεν αποτελούν σφάλματα κατασκευής.
- Μπορείτε να προσκομίσετε την απόδειξη της συσκευής σας.
- Το τμήμα ποιότητας Barbecook επιβεβαιώνει ότι τα εξαρτήματα είναι ελαττωματικά και ότι αποδείχθηκαν ελαττωματικά σε συνθήκες κανονικής χρήσης, σωστής συναρμολόγησης και επαρκούς συντήρησης.

Εάν κάποια από τις παραπάνω προϋποθέσεις δεν ικανοποιείται, δεν μπορείτε να προβάλετε καμιά αξίωση. Σε κάθε περίπτωση, η εγγύηση περιορίζεται στην επισκευή ή στην αντικατάσταση των ελαττωματικών εξαρτημάτων.

9.2 Τι δεν καλύπτεται

Οι παρακάτω ζημιές και ελαττώματα δεν καλύπτονται από την εγγύηση:

- Φυσιολογική φθορά (σκουριά, παραμόρφωση, αποχρωματισμός κλπ.) εξαρτημάτων που εκτίθενται απευθείας στη φωτιά ή σε έντονη θερμότητα. Είναι φυσιολογικό αυτά τα εξαρτήματα να αντικαθίστανται κατά διαστήματα.
- Οπτικές διαφορές που σχετίζονται με τη διαδικασία κατασκευής. Αυτές οι διαφορές δεν θεωρούνται σφάλματα κατασκευής.
- Όλες οι φθορές που προκαλούνται από ανεπαρκή συντήρηση, εσφαλμένη αποθήκευση, κακή συναρμολόγηση ή τροποποιήσεις σε προσυναρμολογημένα εξαρτήματα.
- Όλες οι φθορές που προκαλούνται από κακή χρήση της συσκευής (μη τήρηση των οδηγιών αυτού του εγχειριδίου, χρήση για εμπορικούς σκοπούς κλπ.).
- Όλες οι συνεπαγόμενες φθορές που προκαλούνται από απροσεξία ή μη συμβατή χρήση της συσκευής.
- Σκουριά ή αποχρωματισμός που προκαλείται από εξωτερικούς παράγοντες, χρήση σκληρών απορρυπαντικών, έκθεση σε χλώριο κλπ. Τέτοιες φθορές δεν θεωρούνται σφάλματα κατασκευής.

SK – NÁVOD NA POUŽÍVANIE

1 ZAREGISTRUJTE SI SVOJ VÝROBOK

Ďakujeme vám, že ste si zakúpili spotrebič Barbecue! Celý nový svet čaká, kým ho vyskúšate bez ohľadu na to, či je to v klúde prírody alebo uprostred zhonu veľkomesta. Staňte sa majstrom grilovania s našou komunitou #barbecue a dovoľte nám, aby sme váš gril uvideli do pozornosti.

Zaregistrujte si svoj spotrebič Barbecue v režime on-line a získajte niektorú z veľkých výhod:

- Získate prístup ku kompletnému návodu na použitie a spoznáte každý kúsok svojho spotrebiča.
- Prospech z prispôbeného servisu po predaji vám umožní rýchle nájsť náhradné diely a mať úžitok z optimálneho záručného servisu.
- Informujeme vás o aktualizáciách výrobku a dáme vám tipy, triky a inšpirácie na grilovanie, aby ste sa mohli stať skutočným majstrom grilovania.

Ste pripravení na dobrodružstvo? Zaregistrujte si svoj výrobok a pripojte sa k spoločenstvu #barbecue!



Viac informácií o registrácii spotrebiča nájdete na lokalite www.barbecue.com.



Barbecue rešpektuje vaše súkromie. Vaše údaje nebudú predané, distribuované alebo zdieľané s tretími stranami.

2 O TEJTO PRÍRUČKE

Túto príručku tvoria dve časti. Prvá časť je tá, ktorú práve čítate. Obsahuje pokyny na montáž, používanie a údržbu vášho grilu. Druhá časť sa začína na strane 97. Obsahuje rôzne nákresy:

- Zvýraznené znázornenie, zoznam dielov a nákresy montáže výrobkov, ktoré opisuje tento návod na používanie.
- Nákresy, ktoré sú referenciou pre najdôležitejšie pokyny obsiahnuté v prvej časti návodu.



Ak je k niektorému pokynu dostupný nákres, súčasťou pokynu je aj odkaz na daný nákres. Tieto odkazy sú označené symbolom ceruzky, aký je uvedený naľavo.

3 DÔLEŽITÉ BEZPEČNOSTNÉ POKYNY

Pred používaním grilu si prečítajte návod na používanie. Vždy starostlivo dodržiavajte pokyny. Nesprávne zmontovanie alebo používanie výrobku môže mať za následok vznik požiaru alebo materiálne škody.



Škody spôsobené nedodržaním týchto pokynov (nesprávna montáž, použitie, údržba...) nie sú kryté zárukou.

- Pri používaní grilu ho nikdy nenechajte bez dozoru.
- **VÝSTRAHA!** Výrobok bude počas používania veľmi horúci. Počas používania ho nepresúvajte.
- Pri manipulácii s horúcimi dielmi používajte vhodné ochranné prostriedky.
- Udržujte horľavé materiály, kvapaliny a rozpustné predmety mimo grilu, keď sa používa.
- **VÝSTRAHA!** Udržujte deti a domáce zvieratá mimo dosahu výrobku, keď sa používa.
- Pri používaní výrobku majte poruke vedro s vodou alebo pieskom, najmä počas veľmi teplých dní a v suchých oblastiach.
- **VÝSTRAHA!** Nepoužívajte vo vnútri!

Výrobok používajte iba vo vonkajšom prostredí. Používanie výrobku vo vnútri, dokonca aj v garáži či kôlni môže mať za následok otravu oxidom uhoľnatým.

Pri používaní vonku dodržujte nasledovné:

- Spotrebič umiestnite minimálne tri metre od akejkoľvek budovy na otvorenom a dobre vetranom priestranstve.
- Tento spotrebič nesmie byť umiestnený pod previsnutou konštrukciou (veranda, prístrešok atď.) alebo pod listnatými stromami.
- Tento gril musí byť pred použitím namontovaný na bezpečnom a rovnom podklade. Gril nikdy neumiestňuje na pohybujúce sa vozidlo (loď, príviesny voz atď.).

4 OPAKUJÚCE SA VÝRAZY

Táto časť obsahuje definície menej známych výrazov. Tieto výrazy sú použité vo viacerých kapitolách tohto návodu.

4.1 Smalt

Niektoré diely grilu sú pokryté vrstvou sklenej glazúry nazývanej smalt. Smalt chráni podkladový kov pred koróziou. Smalt je vysokokvalitný materiál: je odolný voči korózii, nebledne pri pôsobení vysokých teplôt a ponúka veľmi ľahkú údržbu.



Pretože smalt je menej flexibilný než kov, ktorý pokrýva, pri nesprávnej manipulácii sa môže smalt odlupovať. Aby ste sa vyhli problému, pri montáži povrchovo upravených dielov buďte opatrní a smalt ošetríte tak, ako je opísané ďalej v tejto príručke.

5 ZOSTAVENIE GRILU

5.1 Bezpečnostné pokyny

- Pri montáži výrobok nijako neupravujte. Je veľmi nebezpečné a zakázané upravovať diely zariadenia.
- Vždy starostlivo dodržiavajte montážne pokyny.
- Používateľ je zodpovedný za správne zmontovanie výrobku. Škody spôsobené nesprávnou montážou nie sú kryté zárukou.

5.2 Zostavenie grilu

Gril zostavte podľa priložených nákresov.



Nákresy nájdete v druhej časti tohto návodu, za zvýrazneným popisom zariadenia.



Na zmontovanie grilu nepotrebujete žiadne špeciálne náradie. Nástroj na dotiahnutie skrutiek je dodaný s grilom.

5.3 Pred každým použitím

Zariadenie umiestnite na stabilnú, rovnú a čistú podložku a uistite sa, že spodok bubna sa nedotýka zeme. Gumené nožičky grilu majú izolačnú funkciu.

6 PRÍPRAVA ZARIADENIA NA POUŽITIE

Budete potrebovať drevené uhlie, podpaľovače (vyhovujúce norme EN 1860-3) a dlhú zápalku.

6.1 Aké drevené uhlie mám použiť?

Gril vždy zapalujte pomocou bežného dreveného uhlia. Nikdy nepoužívajte brikety. Keď uhlie horí, môžete pridať brikety.

Na zapálenie používajte kvalitné drevené uhlie, pokiaľ možno také, ktoré vyhovuje norme EN 1860-2. Kvalitné drevené uhlie tvoria veľké lesklé kusy, ktoré nevytvárajú príliš veľa prachu.

 Vreca s dreveným uhlím pred uskladnením dobre uzavrite. Drevené uhlie skladujte na suchom mieste, neskladujte ho v pivnici.

 Zásobník môže byť naplnený dreveným uhlím maximálne na 50 % (max 1,2 kg). Pri prepnení zásobníka môže nadmerné teplo spôsobiť závažné poškodenie grilu.

6.2 Zapálenie grilu

 Hlavné kroky tejto úlohy sú znázornené na obrázkoch 2 a 3, na strane 100.

- 1 Na dno misy položte niekoľko kusov podpaľovača (obr. 2a). Používajte iba podpaľovače vyhovujúce norme EN 1860-3.
- 2 Na podpaľovače vysypte drevené uhlie (obr. 2b). Tipy:
 - Nepoužívajte príliš veľa uhlia. Gril naplňte približne do jednej tretiny.
 - Dbajte na to, aby ste mali stále prístup k podpaľovačom.
 - Pomocou malých kúskov uhlia gril zapáľte. Neskôr môžete pridať väčšie kusy.
- 3 Vezmite dlhú zápalku a zapáľte podpaľovače (obr. 2c).
 -  Pri prvom použití nechajte gril horieť najmenej 30 minút. Tým sa z grilu odstráni zvyšky mastnoty z výrobného procesu.
 -  Na gril ešte nenasadzujte rošt. Prázdny gril sa môže pri dlhodobom zahrievaní deformovať.
 -  **VÝSTRAHA!** Nepoužívajte alkohol alebo benzín na zapálenie grilu alebo obnovenie horenia. Používajte iba zapáľovače vyhovujúce norme EN 1860-3.
- 4 Grilovať môžete začať vtedy, keď sa na uhlíkoch vytvorí tenká vrstva bieleho popola. Obvykle to trvá približne 15 minút (obr. 2d).
- 5 Položte rošt do grilu tak, aby podpory stáli na háčikoch misy. Pri používaní grilu vždy umiestnite rošt do tejto polohy.

 Ak chcete gril uskladniť, podpory roštu umiestnite vedľa háčikov (obr. 3 na str. 100). Keď je rošt v nižšej polohe, môžete na gril položiť kryt. Pozrite si tiež "8.3 Uskladnenie grilu".

 Uhlie môžete zapáliť aj v Barbecue nádobe na zapálenie uhlia . Keď je uhlie pripravené, stačí ho vysypať z nádoby do misy (obr. 1, strana 100).

7 UŽITOČNÉ TIPY

7.1 Zabránenie pripáleniu jedla

Aby ste sa vyhli spáleniu jedla, nezačínajte grilovať, pokiaľ sú v mise plamene. Počkajte, kým sa na uhlíkoch nevytvorí tenká vrstva bieleho popola.

7.2 Zabránenie prilepeniu jedla

Aby ste zabránili prilepeniu jedla ku grilu:

- Pred položením jedla na gril potrite jedlo jemne olejom. Môžete tiež natrieť olejom samotný gril.
- Neotáčajte jedlo príliš skoro. Nechajte ho najskôr trochu opieť.

7.3 Ako sa vyhnúť vzplanutiu

Vzbĺknutie je náhle vyšľahnutie plameňa z grilu počas grilovania. Spôsobuje ho obvykle kvapkajúci tuk alebo marináda.

Počas grilovania môže dôjsť niekoľkokrát k vzplanutiu plameňa. To je normálne. Avšak príliš časté vzbĺknutie plameňa zvyšuje teplotu vo vnútri grilu a môže spôsobiť vznietenie nahromadeného tuku. Ako sa vyhnúť vzplanutiu:

- Pred začatím grilovania gril vyčistite. Odporúčame gril vyčistiť po každom použití.
- Odstráňte nadmerné množstvo tuku a marinády z mäsa. Pri veľmi mastnom alebo marinovanom mäse môžete použiť nádobu na zachytávanie tuku.

8 ÚDRŽBA GRILU

8.1 Čistenie misy

 Hlavné kroky tejto úlohy sú znázornené na obrázku 4, na strane 101.

Odporúčame gril vyčistiť po každom použití. Vďaka nádobe na popol je čistenie veľmi rýchle. Postupujte nasledovne:

- 1 Nechajte gril úplne vychladnúť a vyberte rošt.
- 2 Vyberte z misy spodnú mriežku a zmeťte všetok popol do podstavca (obr. 4a).
- 3 Zdvihnite nádobu na popol z misy na drevené uhlie (obr. 4b) a vysypte popol do vedra (obr. 4c).
- 4 Vložte nádobu na popol a mriežku späť do misy.
- 5 Položte rošt späť na gril (do najnižšej polohy) a zakryte gril krytom (obr. 4d).

8.2 Čistenie grilovacieho roštu

Gril odporúčame po každom použití vyčistiť s čistiacim prostriedkom Barbecue.

 Na čistenie grilu môžete použiť aj slabý roztok čistiaceho prostriedku alebo hydrogénuhličitan sodný. Na čistenie grilu nepoužívajte čistiace prípravky na rúry.

8.3 Uskladnenie grilu

Po každom použití gril uskladnite. Postupujte nasledovne:

- 1 Vyčistite misu a grilovací rošt. Pozrite si "8.1 Čistenie misy" a "8.2 Čistenie grilovacieho roštu"
- 2 Položte rošt späť na gril do najnižšej pozície.
- 3 Položte na gril kryt.
- 4 Gril uskladnite na suchom mieste (vo vnútri, pod prístrešok a pod.).

8.4 Zabránenie tvorbe korózie

Horný krúžok barelu má tendenciu mierne korodovať. Na spomalenie tohto procesu je vhodné natrieť krúžok slnečnicovým olejom.

 Korózia však barel nijako nepoškodí. Ak sa vám páči odolný vzhľad s patinou, nemusíte barel olejovať.

8.5 Údržba smaltovaných, chrómovaných a lakovaných častí a častí z nehrdzavejúcej ocele

Výrobok je vyrobený z dielov z nehrdzavejúcej ocele a dielov upravených smaltom, chrómom alebo lakom. Každý materiál vyžaduje inú údržbu:

Materiál	Spôsob údržby tohto materiálu
Smalt	<ul style="list-style-type: none">Nepoužívajte ostré predmety a vyhnite sa úderom o tvrdý povrch.Zabráňte kontaktu horúceho materiálu s chladnou kvapalinou.Na čistenie možno použiť drôtenky a abrazívne čistiace prostriedky.
Nehrdzavejúca oceľ a chróm	<ul style="list-style-type: none">Nepoužívajte agresívne a abrazívne alebo čistiace prostriedky s obsahom kovov.Používajte iba jemné čistiace prostriedky a nechajte ich pôsobiť.Na zotretie použite mäkkú špongiu alebo tkaninu.Po vyčistení dôkladne opláchnite a pred uskladnením dôkladne osušte.
Lakované diely	<ul style="list-style-type: none">Nepoužívajte ostré predmety. Použite jemné čistiace prostriedky a mäkkú špongiu alebo tkaninu.Po vyčistení dôkladne opláchnite a pred uskladnením dôkladne osušte.

 Škody spôsobené nedodržaním týchto pokynov sa považujú za nesprávnu údržbu a nie sú kryté zárukou.

Pod zvýrazneným zobrazením výrobku (druhá časť príručky) nájdete zoznam všetkých dielov, z ktorých sa výrobok skladá. V zozname nájdete symbol, ktorý označuje materiál jednotlivých dielov. Vďaka tomu si môžete pozrieť, ako sa má daný diel udržiavať. V zozname dielov sú použité tieto symboly:

Symbol	Materiál
●	Smalt
▲	Chróm
■	Nehrdzavejúca oceľ
★	Lakované diely

8.6 Objednávanie náhradných dielov

Diely, ktoré sú priamo vystavené ohňu alebo intenzívnemu teplu, sa občas musia vymeniť. Postup pri objednávaní náhradného dielu:

1 Vyhľadajte referenčné číslo dielu, ktorý potrebujete. V druhej časti tejto príručky alebo na lokalite www.barbecook.com je pod vyobrazeniami rozloženého zariadenia uvedený zoznam všetkých referenčných čísiel.

 Ak ste si svoje zariadenie zaregistrovali v režime on-line, na konte MyBarbecue budete automaticky nasmerovaný na správny zoznam. V tomto zozname si budete môcť objednať svoje náhradné diely v režime on-line.

2 Náhradný diel si objednajete cez www.barbecook.com alebo vo vašom mieste predaja. Diely, na ktoré sa vzťahuje záruka, si môžete objednať iba vo vašom mieste predaja.

9 ZÁRUKA

9.1 Vzťahuje sa

Na váš gril sa vzťahuje 2-ročná záruka, ktorej platnosť začína plynúť dňom zakúpenia. Táto záruka kryje všetky výrobné chyby za nasledovného predpokladu:

- Svoj gril ste používali, zmontovali a udržiavali podľa pokynov uvedených v tejto príručke. Poškodenie spôsobené nesprávnym používaním, montážou alebo neadekvátnou údržbou nie sú považované za výrobné chyby.
- Môžete predložiť doklad o kúpe vášho zariadenia.
- Oddelenie kontroly kvality spoločnosti Barbecue potvrdzuje, že diely sú chybné a ukázali sa ako chybné pri normálnom používaní, správnej montáži a adekvátnej údržbe.

Ak niektorá z vyššie uvedených podmienok nie je splnená, nemôžete žiadať o žiadnu náhradu škody. Záruka je v každom prípade obmedzená na opravu alebo výmenu chybného dielu (dielov).

9.2 Záruka sa nevzťahuje na nasledovné

Na nasledujúce poškodenia alebo chyby sa záruka nevzťahuje:

- Bežné opotrebovanie a poškodenie (korózia, deformácia, zmena farby...) dielov, ktorú sú priamo vystavené ohňu alebo intenzívnemu teplu. Je bežné tieto časti z času na čas vymeniť.
- Vizuálne nepravidelnosti vzniknuté pri výrobnom procese. Tieto nepravidelnosti nie sú považované za výrobné chyby.
- Všetky druhy poškodenia spôsobené nesprávnou údržbou, uskladnením, zmontovaním alebo úpravami dielov zmontovaných vo výrobe.
- Všetky druhy poškodenia spôsobené nesprávnym používaním výrobku (nedodržovanie pokynov na používanie uvedených v tomto návode, používanie na komerčné účely...).
- Všetky následné poškodenia spôsobené nedbanlivosťou alebo nevhodným používaním výrobku.
- Korózia alebo zmena farby spôsobená vonkajšími vplyvmi, používaním agresívnych saponátov, vystaveniu pôsobeniu chlóru a pod. Tieto druhy poškodenia nie sú považované za výrobné chyby.

ET – KASUTUSJUHEND

1 REGISTREERIGE OMA SEADE

Täname teid Barbecook toote ostmise eest. Kogu uus maailm ootab teid uut avastama, olgu see on looduse rahu ja vaikusel või linnamüra ja -kära keskel. Hakake grillimeistriks meie #barbecook-kogukonnas ja lubage meil seada teie grillimisvõimed avaliku elu keskpunkti.

Registreerige oma Barbecooki seade veebis ja saate sellega mitmed eelised.

- Teile on kättesaadavad täiemahulised kasutusjuhendid - saate oma seadet üksikasjalikult tundma õppida.
- Saate kasutada müügijärgse teeninduse teenuseid, mis aitavad teil kiiresti varuosi leida ja saada osa parimast garantiiteenindusest.
- Teavitame teid seadme uuendustest, anname nõu ja näpunäiteid ning grillimisvihjeid, et saaksite areneda grillimeistriks.

Kas olete seikluseks valmis? Registreerige oma toode ja ühinege #barbecook-kogukonnaga!

 Lisateavet oma seadme registreerimiseks vaadake veebisaidilt www.barbecook.com.

 Barbecook ei levita teie isikuandmeid. Teie isikuandmeid ei müüda edasi, ei levitata ega jagata kolmandate osapooltega.

2 SELLE JUHENDI KOHTA

See juhend koosneb kahest osast. Esimest osa loete praegu. See sisaldab seadme kokkupanekut, kasutamist ja hooldamist puudutavaid juhiseid. Teine osa algab leheküljel 97. See sisaldab järgmisi erinevaid jooniseid:

- Selles juhendis kirjeldatud seadmete detailsed vaated, osade loendid ja koostejoonised;
- Illustratsioonid, mis toetavad juhendi esimese osa olulisimaid juhiseid.

 Kui konkreetse juhise kohta on saadaval joonis, leiate juhise viite vastavale joonisele. Need viited on tähistatud samasuguse pliitsi ikooniga, nagu on toodud vasakul.

3 OLULISED OHUTUSJUHISED

Lugege juhiseid enne seadme kasutamist. Järgige alati juhiseid põhjalikult. Seadme muul viisil kokku panemine või kasutamine võib põhjustada süttimist ja materjali kahjustamist.

 Garantii ei kata kahjustusi, mida on põhjustanud juhiste eiramine (vale kokkupanek, kasutamine, ebapiisav hooldamine).

- Ärge jätke seadet kasutamise ajal järelevalveta.
- HOIATUS! Seade muutub väga kuumaks, ärge liigutage seda kasutamise ajal.
- Kasutage kuumade osade käsitlemisel sobivaid kaitsevahendeid.
- Hoidke süttivad materjalid, vedelikud ja lahustuvad esemed kasutatavast seadmest eemal.
- HOIATUS! Hoidke lapsed ja lemmikloomad kasutatavast seadmest eemal.
- Hoidke seadme kasutamise ajal käeulatuses ämber vee või liivaga, eriti väga kuumadel päevadel ja kuivades piirkondades.
- HOIATUS! Ärge kasutage siseruumides.

Väljas grillimiskoha valimisel arvestage alati järgmisega.

- Paigutage seade vähemalt kolme meetri kaugusele ehitisest, avatud ja hästi ventileeritud kohta.
- Veenduge, et seade pole varjulise majaosa (varikatuse, päikesevarju jne) või lehestiku all.
- Grill tuleb enne kasutamist paigutada tugevale horisontaalsele pinnale. Ärge mingil juhul paigutage seda liikuvale sõidukile (paati, haagisele jne).

4 LÄBIVAD MÕISTED

See osa selgitab mõnesid vähem tuntud mõisteid. Neid mõisteid kasutatakse juhendi erinevates jaotistes.

4.1 Email

Mõned seadme osad on kaetud sulatatud klaasi kihiga ehk emailiga. See email kaitseb selle all asuvat metalli roostetamise eest. Email on kõrge kvaliteediga materjal, see on roostekindel, ei tuhmu kuuma temperatuuri mõjul ja seda on lihtne hooldada.



Kuna metall on seda katvast emailist painduvam, võivad emaili tükid seadme valel käsitlemisel maha kooruda. Probleemide vältimiseks olge emailiga osade kokkupanekul ettevaatlik ja hooldage emaili vastavalt selles juhendis kirjeldatule.

5 SEADME KOKKUPANEK

5.1 Ohutusjuhised

- Ärge ehitage seadet kokku panemise ajal ümber. See on väga ohtlik ja seadme osade ümber ehitamine ei ole lubatud.
- Järgige alati kokkupanemisjuhiseid põhjalikult.
- Kasutaja vastutab seadme korrektse kokku panemise eest. Garantii ei kata vales kokku panemisest põhjustatud kahjustusi.

5.2 Seadme kokku panemine

Pange seade kokku vastavalt koostejoonistel näidatule.



Koostejoonised leiate selle juhendi teisest osast pärast seadme detailset vaadet.



Seadme kokku panemisel ei ole tarvis eritööriistu. Kruvide kinnitamiseks vajalik tööriist on seadmega kaasas.

5.3 Enne iga kasutust

Seadke seade üles stabiilsele, horisontaalsele ja puhtale alusele, nii et ballooni põhi pole maapinnaga kokkupuutes. Grillahju komplektis olevad kummijalad on ette nähtud isoleerimiseks.

6 SEADME ETTEVALMISTAMINE

Te vajate selleks puusütt, tuleha katist (mis vastavad standardile EN 1860-3) ja pikki tikke.

6.1 Millist puusütt kasutada?

Kasutage tule süütamiseks alati traditsioonilist puusütt, mitte briketti. Kui tuli on süttinud, võite lisada brikette.

Kasutage tule süütamisel hea kvaliteediga puusütt, mis vastaks eelistatavalt standardile EN 1860-2. Hea kvaliteediga puusüsi koosneb suurtest, säravatest tükkidest ja ei tolma väga palju.



Sulgege puusöe kott enne ära panemist korrektselt. Hoidke alati kuivas kohas, ärge hoidke seda keldris.



Söekauss tuleb täita söega maksimaalselt 50% (max 1,2 kg) ulatuses. Söekausi ületäitmine võib grillseadet liiga tugeva kuumuse tõttu kahjustada.

6.2 Tule süütamine

 Selle toimingu peamised sammud on toodud joonisel 2 ja 3, lk 100.

- 1 Pange kausi põhja mõni tulehakatis (joonis 2a). Kasutage alati tulehakatisvahendeid, mis vastavad standardile EN 1860-3.
- 2 Katke tulehakatis puusõega (joonis 2b). Soovitused:
 - ärge kasutage liiga palju puusütt. Kauss tuleks täita ainult ühe kolmandiku ulatuses;
 - Jälgige, et te ulatuksite siiski tulehakatiseni.
 - kasutage tule süütamiseks väikeseid puusõe tükke. Hiljem saate lisada suuremaid tükke.
- 3 Süüdake suure tikuga tulehakatis (joonis 2c).

 Seadme esmakordsel kasutamisel laske sellel põleda 30 minutit. See eemaldab seadmelt tootmisest jäänud määrdejäägid.

 Ärge pange seadmele veel grillresti. Grillrest võib deformeeruda, kui see on tühjana liiga kaua kuumas käes.

 Hoiatus! Ärge kasutage tule süütamiseks või uuesti süütamiseks alkoholi ega bensiini. Kasutage ainult tulehakatusvahendeid, mis vastavad standardile EN 1860-3.

- 4 Grillimisega võite alustada, kui puusüsi on kaetud õhukese valge tuha kihiga. Tavaliselt kulub selleks umbes 15 minutit (joonis 2d).
- 5 Pange grillrest seadmele nii, et selle toed on puusõekausi haakidel. Paigaldage alati seadme kasutamisel grillrest sellises asendis.

 Kui soovite seadme hoiule panna, pange grillresti toed puusõekausi haakide kõrvale (joonis 3, lk 100). Kui grillrest on alumises asendis, saate panna seadmele katte. Vaadake ka "8.3 Seadme hoiustamine".

 Puusütt saate süüdada ka Barbecooki puusõesüütajas . Kui puusüsi on valmis, valage see lihtsalt süütajast seadme kaussi (joonis 1, lk 100).

7 KASULIKUD SOOVITUSED JA NÕUANDED

7.1 Toidu kõrbemise vältimine

Toidu kõrbemise vältimiseks ärge alustage grillimist, kui kausis on veel leegid. Oodake, kuni puusüsi on kaetud õhukese valge tuha kihiga.

7.2 Toidu kinni jäämise vältimine

Toidu kinni jäämist saate vältida järgmistel viisidel.

- Pintseldage toitu enne grillile asetamist kergelt õliga. Samuti võite kanda õli grillrestile.
- Ärge keerake toitu liiga kiiresti ümber. Laske sellel esmalt natukene kuumeneda.

7.3 Lahvatuste vältimine

Lahvatused on äkilised leegid, mis süttivad grillimise ajal kausis. Tavaliselt põhjustab neid tilkuv rasv või marinaad.

Grillimise ajal on lahvatused tavapärane. Kui aga lahvatusi esineb liiga palju, suureneb sellega kausi temperatuur ja see võib süüdada kogunenud rasva. Lahvatuste vältimiseks tehke järgmist.

- Kontrollige enne grillimist, kas kauss on puhas. Me soovime puhastada kaussi pärast igat kasutuskorda.
- Eemaldage lihalt liigne rasv ja marinaad. Rasvasemate ja/või marineeritud liha puhul võite kasutada ka grillpanni.

8 SEADME HOOLDAMINE

8.1 Kausi puhastamine

 Selle toimingu peamised sammud on toodud joonisel 4, lk 101.

Me soovime puhastada kaussi pärast igat kasutuskorda. Tuhamahutiga saab seda teha hetkega. Tegutsege järgmiselt.

- 1 Laske seadmelt täielikult maha jahtuda ja eemaldage grillrest.
- 2 Eemaldage kausilt põhjarest ja lükake tuhk tuhaanumasse (joonis 4a).
- 3 Tõstke tuhaanum kausist (joonis 4b) ja valage tuhk ämbrisse (joonis 4c).
- 4 Pange tuhaanum ja põhjarest kaussi tagasi.
- 5 Pange grillrest seadmele tagasi (madalaimasse asendisse) ja pange seadmele kaas peale (joonis 4d).

8.2 Grillresti puhastamine

Soovime resti pärast iga kasutuskorda puhastada puhastusvahendiga Barbecook.

 Võite grilli puhastada ka pehmetoimelise pesuvahendi või söögisoodaga. Ärge mingil juhul kasutage restil ahju puhastusvahendeid.

8.3 Seadme hoiustamine

Pange seade hoiule pärast iga kasutuskorda. Tegutsege järgmiselt.

- 1 Puhastage kauss ja grillrest. Vt "8.1 Kausi puhastamine" ja "8.2 Grillresti puhastamine"
- 2 Pange grillrest tagasi seadmesse kõige madalaimasse asendisse.
- 3 Pange seadmele peale kate.
- 4 Hoidke seadet kuivas kohas (siseruumides, kaitsevarju all jne).

8.4 Roostetamise aeglustamine

Tünni ülemine rõngas kaldub vähesel määral roostetama. Selle aeglustamiseks võite õlitada rõngast päevalilleõliga.

 Rooste ei kahjusta tünni. Kui soovite roostet väljanägemist, ei ole tarvis tünni õlitada.

8.5 Emailitud, roostevabast terasest, kroomitud ja pulberkattega osade hooldamine

Seade koosneb emailitud, roostevabast terasest, kroomitud ja pulberkattega osadest. Igat materjali tuleb hooldada erinevalt.

Materjal	Kuidas materjali hooldada
Email	<ul style="list-style-type: none">Ärge kasutage teravaid esemeid ega koputage vastu kõvasid pindasid.Kuumana vältige kokkupuudet külmade vedelikega.Te võite kasutada metallkäsnaid ja abrasiivseid puhastusvahendeid.
Roostevaba teras ja kroom	<ul style="list-style-type: none">Ärge kasutage tugevatoimelisi, abrasiivseid puhastusvahendeid ega metalli.Kasutage pehmeid puhastusvahendeid ja laske neil terasel mõjuda.Kasutage pehmet pesukäsna või riidetükki.Pärast puhastamist loputage põhjalikult ja laske enne ära panemist täielikult kuivada.
Pulberkate	<ul style="list-style-type: none">Ärge kasutage teravaid esemeid. Kasutage nõrka pesuvahendit ja pehmet pesukäsna või riidetükki.Pärast puhastamist loputage põhjalikult ja laske enne ära panemist täielikult kuivada.

 Kahjustusi, mida on põhjustanud nende juhiste eiramine, loetakse ebapiisavaks hooldamiseks ja neid ei kata garantii.

Seadme detailse vaate (juhendi teine osa) alt leiate loetelu kõikidest osadest, millest seade koosneb. Selles loetelus on toodud sümbolid, mis näitavad iga osa materjali, seega saate sealt kontrollida, kuidas konkreetset osa hooldada. Osade loetelus kasutatakse järgmisi sümboleid.

Sümbol	Materjal
●	Email
▲	Kroom
■	Roostevaba teras
★	Pulberkate

8.6 Varuosade tellimine

Osad, mis puutuvad kokku tulega või suure kuumusega, tuleb aeg-ajalt asendada. Varuosade tellimiseks tehke järgmist.

- 1 Vaadake järgi teile vajaoleva osa tootenumber. Tootenumbrid on näidatud ülevaatejoonisel, mis asub selle kasutusjuhendi teises osas, samuti saidil www.barbecook.com.

 Kui olete oma seadme veebis registreerinud, saate vajaliku lehe otse oma konto MyBarbecook kaudu. Samas saate ka osi tellida veebi teel.

- 2 Tellige varuosa saidil www.barbecook.com kaudu või oma grillseadme ostukohast. Osad, millele rakendub garantii, saate tellida oma grillseadme ostukohast.

9 GARANTII

9.1 Kaetud

Seadmel on alates ostukuupäevast kaheaastane garantii. See garantii katab kõiki tootmisvigu järgmistel eeldustel.

- Te olete seadet kasutanud, kokku pannud ja hooldanud vastavalt selles juhendis toodud juhistele. Vales kasutamisest, kokkupanekust ja ebapiisavast hooldamisest tingitud kahjustusi ei loeta tootmisvigadeks.
- Teil on olemas seadme ostutšekk.
- Barbecooki kvaliteediosakond kinnitab, et osad on vigased ja nende vead on ilmnunud normaalse kasutamise, õige kokkupaneku ja piisava hoolduse korral.

Kui mõni ülaltoodud tingimustest ei ole täidetud, ei saa te taotleda garantiiteenindust. Kõikidel juhtudel on garantii piiratud vigase osa (osade) remontimise või asendamisega.

9.2 Ei ole kaetud

Garantii ei kata järgmisi kahjustusi ja defekte.

- Leekide ja suure kuumusega otse kokku puutuvate osade tavapärane kulumine (roostetamine, moonutused, värvi luitumine jne). Tavapärane on nende osade asendamine aeg-ajalt.
- Visuaalsed erinevused, mis vastavad tootmisprotseduurile. Neid erinevusi ei loeta tootmisvigadeks.
- Kõik kahjustused, mida on põhjustanud ebapiisav hooldamine, vale hoiustamine, vale kokkupanek või eelmonteeritud osade ümber ehitamine.
- Kõik kahjustused, mida on põhjustanud seadme väär kasutamine või kuritarvitamine (kasutamine selle juhendi juhiseid eirates, kasutamine kommertseesmärkidel jne).
- Kõik tagajärjeks olevad kahjustused, mille on põhjustanud hooletus või seadme ebasihipärane kasutamine.
- Välismõjudest, agressiivsetest puhastusvahenditest, kokkupuutest klooriga jne tingitud rooste, värvi luitumine... Neid kahjustusi ei loeta tootmisvigadeks.

LT – NAUDOTOJO VADOVAS

1 UŽREGISTRUOKITE SAVO PRIETAISĄ

Dėkojame, kad įsigijote „Barbecook“ prietaisą! Galėsite tyrinėti visiškai naują pasaulį gamtos prieglobstyje arba miesto triukšme. Tapkite kepimo meistru mūsų #barbecook bendruomenėje ir pademonstruokite savo sugebėjimus.

Užregistruokite savo „Barbecook“ prietaisą internetu ir gaukite šiuos privalumus:

- Gaukite prieigą prie išsamaus naudotojo vadovo ir išsamiai susipažinkite su savo prietaisu.
- Gausite naudos iš suasmenintos aptarnavimo po pardavimo paslaugos, kuri leis greitai rasti atsarginių dalių ir gauti naudos iš optimalios garantijos.
- Informuosime jus apie gaminio atnaujinimus, suteiksime patarimų bei gudrybių ir įkvėpsime, kad jumyse pažadintume kepimo meistrą.

Pasiruošę nuotykiui? Užregistruokite savo gaminį ir prisijunkite prie #barbecook bendruomenės!

 Norėdami daugiau informacijos, užregistruokite savo prietaisą, žr. www.barbecook.com.

 „Barbecook“ gerbia jūsų privatumą. Jūsų duomenys nebus parduoti, platinami arba bendrinami su trečiosiomis šalimis.

2 APIE ŠĮ VADOVĄ

Šį vadovą sudaro dvi dalys. Kaip tik dabar skaitote pirmą dalį. Joje yra jūsų prietaiso surinkimo, naudojimo ir priežiūros nurodymai. Antra dalis prasideda 97 psl. Joje pateikiamos įvairios iliustracijos:

- Šiame vadove aprašytų prietaisų išskaidyti vaizdai, dalių sąrašai ir surinkimo brėžiniai.
- Iliustracijos, papildančios svarbiausius pirmoje vadovo dalyje pateiktus nurodymus.

 Jei konkrečiam nurodymui yra iliustracija, nuorodą į ją rasite nurodyme. Prieš šias nuorodas pateikta pieštuko piktograma, kaip tokia, kurią matote čia kairėje.

3 SVARBŪS SAUGOS NURODYMAI

Prieš pradėdami naudoti prietaisą perskaitykite nurodymus. Visada atidžiai jų laikykitės. Surinkus arba naudojant prietaisą ne pagal nurodymus gali būti sukeltas gaisras arba padaryta žala turtui.

 Jei dėl nurodymų nesilaikymo (netinkamai surikus, naudojant, nepakankamai prižiūrint) atsiranda pažeidimų, tokiems pažeidimams garantija netaikoma.

- Nepalikite naudojamo prietaiso be priežiūros.
- ĮSPĖJIMAS! Prietaisas stipriai įkaista, nejudinkite jo, kai jis naudojamas.
- Dirbdami su karštomis dalimis naudokite tinkamas apsaugos priemones.
- Laikykite degiąsias medžiagas, degiuosius skysčius ir išsilydančius daiktus atokiau nuo naudojamo prietaiso.
- ĮSPĖJIMAS! Laikykite vaikus ir naminius gyvūnus atokiau nuo naudojamo prietaiso.
- Kai kūrenate prietaisą, po ranka turėkite kibirą vandens arba smėlio, ypač labai karštomis dienomis ir sausose vietovėse.
- ĮSPĖJIMAS! Nenaudokite patalpose.

Prietaisą naudokite tik lauke. Naudojant patalpose, net garaže arba stoginėje, galima apsinuodyti smalkėmis.

Pasirinkdami vietą lauke, visada:

- Pastatykite prietaisą bent tris metrus nuo bet kokio pastato, atviroje ir gerai vėdinamoje vietoje.
- Įsitinkinkite, kad prietaisas nėra po virš galvos esančia konstrukcija (veranda, pašiūre...) arba po medžiais.
- Prieš naudojant keptuvą reikia pastatyti ant saugaus ir lygaus pagrindo. Nedėkite jo į judančią transporto priemonę (valtį, priekabą...).

4 PASIKARTOJANČIOS SĄVOKOS

Šioje dalyje apibūdintos kai kurios mažiau žinomos sąvokos. Šios sąvokos vartojamos keliose vadovo temose.

4.1 Emalis

Kai kurios prietaiso dalys padengtos lydyto stiklo sluoksniu, vadinamu emaliu. Emalis saugo po juo esantį metalą nuo korozijos. Emalis yra aukštos kokybės medžiaga: jis atsparus rūdims, neblunka veikiant aukštai temperatūrai ir jį labai lengva prižiūrėti.



Kadangi emalis mažiau lankstus už metalą, kurį jis dengia, neteisingai naudojant šį prietaisą emalio gabalai gali atšokti. Kad išvengtumėte problemų, būkite atidūs surinkdami emaliuotas dalis ir visada prižiūrėkite emalį, kaip toliau aprašyta šiame vadove.

5 PRIETAISO SURINKIMAS

5.1 Saugos nurodymai

- Surinkdami prietaisą jo nekeiskite. Prietaiso dalis keisti labai pavojinga ir to daryti negalima.
- Visada atidžiai laikykitės surinkimo nurodymų.
- Naudotojas privalo teisingai surinkti prietaisą. Dėl neteisingo surinkimo patirtai žalai garantija netaikoma.

5.2 Norint surinkti prietaisą

Surinkite prietaisą, kaip parodyta surinkimo brėžiniuose.



Šiuos surinkimo brėžinius rasite antroje vadovo dalyje, po išskaidyto jūsų prietaiso vaizdo.



Surenkant prietaisą nereikia jokių specialių įrankių. Įrankis varžtamis priveržti pridėtas prie prietaiso.

5.3 Prieš kiekvieną naudojimą

Pastatykite prietaisą ant stabilaus, lygaus ir švaraus pagrindo bei įsitinkinkite, kad korpuso dugnas nesiliečia su žeme. Su kepsnine pateikiamos guminės kojėlės atlieka izoliacinę funkciją.

6 PRIETAISO PARUOŠIMAS NAUDOTI

Jums reikės anglių, uždegiklių (atitinkančių standartą EN 1860-3) ir ilgo degtuko.

6.1 Kokias anglis naudoti?

Visada užkurkite savo prietaisą tradicinėmis anglimis, niekada nenaudokite briketų. Užkūrę prietaisą galite įdėti ir briketų.

Prietaisui užkurti naudokite geros kokybės anglis, pageidautina atitinkančias EN 1860-2 reikalavimus. Geros kokybės anglis sudaro dideli, blizgantys, per daug nedulkantys gabalai.

-  Prieš padėdami anglis į laikymo vietą, gerai uždarykite anglių maišą. Visada laikykite sausoje vietoje, ne rūsyje.
-  produce multDaugiausia 50 % (maks. 1,2 kg) dubens turi būti pripildyta anglimis. Dubens perpildymas gali rimtai sugadinti jūsų kepsninę dėl per didelio karščio. praf.

6.2 Prietaiso uždegimas

 Pagrindiniai šio darbo veiksmai parodyti 2 ir 3 pav., 100 psl.

- 1 Padėkite kelis uždegiklius taurės dugne (2a pav.). Visada naudokite tik uždegiklius, kurie atitinka EN 1860-3 reikalavimus.
- 2 Ant uždegiklių pridėkite anglių (2b pav.). Patarimai:
 - Nenaudokite per daug anglių. Reikia pripildyti tik trečdalį taurės.
 - Žiūrėkite, kad vis dar galėtumėte prieiti prie uždegiklių.
 - Prietaisui užkurti naudokite mažus anglių gabalėlius. Didesnių gabalų galėsite pridėti vėliau.
- 3 Paimkite ilgą degtuką ir uždekite uždegiklius (2c pav.).
 -  Kai prietaisą naudojate pirmą kartą, palikite anglis degti 30 minučių. Taip nuo prietaiso nudegs likę gamybos tepalai.
 -  Dar nedėkite grotelių ant prietaiso. Ilgai laikomos kaitroje tuščios grotelės gali deformuotis.
 -  **ĮSPĖJIMAS!** Prietaisui užkurti arba įpūsti nenaudokite alkoholio ar benzino. Naudokite tik uždegiklius, kurie atitinka EN 1860-3 reikalavimus.
- 4 Kepti galima pradėti, kai anglys pasidengia plonu baltų pelenų sluoksniu. Paprastai tai trunka apie 15 minučių (2d pav.).
- 5 Uždėkite groteles ant prietaiso, pastatydami jų atramas ant anglių taurės kablių. Visada groteles dėkite į šią padėtį, kai naudojate prietaisą.
 -  Kai norite prietaisą padėti į laikymo vietą, atramas dėkite šalia anglių taurės kablių (3 pav., 100 psl.). Kai grotelės žemesnėje padėtyje, ant prietaiso galima uždėti dangtį. Taip pat žr. "8.3 Prietaiso laikymas".
 -  Anglis galite uždegti ir Barbecue anglių uždegiklyje Kai anglys bus paruošos, jas tiesiog išpilkite iš anglių uždegiklio į prietaiso taurę (1 pav., 100 psl.).

7 NAUDINGI PATARIMAI IR GUDRYBĖS

7.1 Kad maistas nesudegtų

Kad maistas nesudegtų, niekada nepradėkite kepti, kol taurėje vis dar yra liepsnų. Palaukite, kol anglys pasidengs plonu baltų pelenų sluoksniu.

7.2 Kad maistas neprisviltų

Kad maistas neprisviltų prie grotelių:

- Prieš dėdami maistą ant grotelių jį šiek tiek sutepti aliejumi. Galite sutepti ir pačias groteles.
- Pernelyg greitai neapverskite maisto. Pirmiausia leiskite jam šiek tiek įkaisti.

7.3 Kaip išvengti liepsnos šokčiojimų

Tvykstelėjimai yra staigios liepsnos, kurios tvyksteli taurėje kepimo metu. Paprastai jos atsiranda lašant riebalams arba marinatui.

Kepant kepsninėje normalu, kad kartais pasitaiko liepsnos šokčiojimų. Tačiau jei liepsna tvyksčioja per dažnai, gali padidėti temperatūra taurėje ir užsiliepsnoti susikaupę riebalai. Norėdami išvengti liepsnos šokčiojimų:

- Prieš pradėdami kepti įsitinkite, kad taurė švari. Mes rekomenduojame taurę valyti po kiekvieno naudojimo.
- Nuo mėsos pašalinkite riebalų ir marinato perteklių. Riebiai ir (arba) marinuoti mėsa galima naudoti kepsninės keptuvę.

8 PRIETAISO PRIEŽIŪRA

8.1 Taurės valymas

 Pagrindiniai šio darbo veiksmai parodyti 4 pav., 101 psl.

Mes rekomenduojame taurę valyti po kiekvieno naudojimo. Su pelenų talpykle tai atliekama per akimirką. Veiksmus atlikite tokia tvarka:

- 1 Leiskite prietaisui visiškai atvėsti ir išimkite groteles.
- 2 Išimkite apatines groteles iš taurės ir nubraukite pelenus šepetį į vamzdį (4a pav.).
- 3 Iškelkite pelenų talpyklą iš taurės (4b pav.) ir supilkite pelenus į kibirą (4c pav.).
- 4 Vėl įdėkite pelenų talpyklą ir apatines groteles į taurę.
- 5 Vėl įdėkite groteles į prietaisą (į žemiausią padėtį) ir uždėkite dangtį ant prietaiso (4d pav.).

8.2 Grotelių valymas

Rekomenduojame valyti kepimo groteles po kiekvieno naudojimo su „Barbecue“ valikliu.

-  Taip pat galite valyti kepimo groteles su švelniu valikliu arba natrio bikarbonatu. Niekada nenaudokite orkaičių valiklių kepimo grotelėms.

8.3 Prietaiso laikymas

Kaskart panaudoję padėkite prietaisą į laikymo vietą. Veiksmus atlikite tokia tvarka:

- 1 Išvalykite taurę ir groteles. Žr. "8.1 Taurės valymas" ir "8.2 Grotelių valymas"
- 2 Vėl uždėkite groteles ant prietaiso, į žemiausią padėtį.
- 3 Ant prietaiso uždėkite dangtį.
- 4 Prietaisą laikykite sausoje vietoje (patalpoje, po stogu ir pan.).

8.4 Rūdžių susidarymo ribojimas

Viršutinis cilindro žiedas yra linkęs šiek tiek rūdyti. Šį procesą galima sulėtinti, sutepus žiedą saulėgrąžų aliejumi.

i Rūdys nekenkia cilindriui. Jei jums patinka vintažinė išvaizda, nesivarginkite tepti cilindro aliejumi.

8.5 Emaliuotų, nerūdijančiojo plieno, chromuotų ir miltelinu būdu dažytų dalių priežiūra

Prietaisą sudaro emaliuotos, nerūdijančiojo plieno, chromuotos ir miltelinu būdu dažytos dalys. Kiekvieną medžiagą reikia prižiūrėti skirtingai:

Medžiaga	Kaip prižiūrėti šią medžiagą
Emalis	<ul style="list-style-type: none">Nenaudokite aštrių daiktų ir netrankykite į kietą paviršių.Venkite karšto emalio sąlyčio su šaltais skysčiais.Galima naudoti metalines kempines ir abrazyvines valymo priemones.
Nerūdijantysis plienas ir chromas	<ul style="list-style-type: none">Nenaudokite stiprių, abrazyvinių arba metalinių valymo priemonių.Naudokite švelnias valymo priemones ir palikite ant plieno, kad jos suveiktų.Naudokite minkštą kempinę arba šluostę.Prieš padėdami į laikymo vietą, gerai nuplaukite ir išdžiovinkite.
Miltelinis dažymas	<ul style="list-style-type: none">Nenaudokite aštrių daiktų. Naudokite švelnius ploviklius ir minkštą kempinę arba šluostę.Prieš padėdami į laikymo vietą, gerai nuplaukite ir išdžiovinkite.

! Nesilaikant šių nurodymų padaryti pažeidimai laikomi nepakankama priežiūra ir jiems netaikoma garantija.

Po išskaidytu prietaiso vaizdu (antroje vadovo dalyje) rasite dalių, iš kurių sudarytas prietaisas, sąrašą. Šiame sąrašė yra simbolis, nurodantis kiekvienos dalies medžiagą, taigi norėdami pasitikrinti, kaip prižiūrėti konkrečią dalį, galite pasinaudoti šiuo sąrašu. Dalių sąrašė naudojami tokie simboliai:

Simbolis	Medžiaga
●	Emalis
▲	Chromas
■	Nerūdijantysis plienas
★	Miltelinis dažymas

8.6 Atsarginių dalių užsakymas

Dalis, kurios tiesiogiai veikiamos ugnies arba didelio karščio, reikia laikas nuo laiko keisti. Norėdami užsisakyti atsarginę dalį:

1 Žr. nuorodos numerį ant dalies, kurios jums reikia. Visų nuorodų numerių sąrašą rasite žemiau erdvinio vaizdo, antroje šios instrukcijos dalyje, arba svetainėje www.barbecook.com.

💡 Jei užregistravote savo prietaisą internetu, automatiškai būsite nukreipti į tinkamą sąrašą savo „MyBarbecook“ paskyroje. Ten turėsite galimybę užsisakyti dalis internetu.

2 Užsisakykite atsarginę dalį svetainėje www.barbecook.com arba pardavimo vietoje. Dalis, kurioms taikoma garantija, galima užsisakyti tik pardavimo vietoje.

9 GARANTIJA

9.1 Garantijos taikymas

Jūsų prietaisui taikoma dvejų metų garantija skaičiuojant nuo įsigijimo datos. Ši garantija galioja visiems gamybos defektams su sąlyga, kad:

- Jūs naudojote, surinkote ir prižiūrėjote savo prietaisą pagal šiame vadove išdėstytus nurodymus. Pažeidimai, atsiradę dėl netinkamo naudojimo, neteisingo surinkimo arba nepakankamos priežiūros, nelaikomi gamybos defektais.
- Galite pateikti savo prietaiso kvitą.
- „Barbecook“ kokybės skyrius patvirtina, kad dalys yra defektuotos ir kad tai išaiškėjo prietaisą įprastai naudojant, tinkamai surinkus ir pakankamai prižiūrint.

Jei viena iš pirmiau paminėtų sąlygų netenkinama, negalite reikalauti jokios kompensacijos. Visais atvejais garantija apsiriboja defektuotos (-ų) dalies (-ių) remontu arba keitimu.

9.2 Garantijos netaikymas

Toliau išvardytiems pažeidimams ir defektams garantija netaikoma:

- Įprastam dalių, kurias tiesiogiai veikia liepsna arba intensyvi kaitra, nusidėvėjimui (rūdijimui, deformavimuisi, spalvos pakitimui ir t. t.). Šias dalis kartkartėmis pakeisti yra normalu.
- Matomiems netolygumams, kurie yra neatsiejami nuo gamybos proceso. Šie netolygumai nelaikomi gamybos defektais.
- Visiems pažeidimams, atsiradusiems dėl nepakankamos priežiūros, neteisingo saugojimo, netinkamo surinkimo ar gamintojo surinktų dalių pakeitimų.
- Visiems pažeidimams, atsiradusiems dėl netinkamo naudojimo, neteisingo elgesio su prietaisu (nenaudojimo pagal šiame vadove išdėstytus nurodymus, naudojimo komerciniais tikslais ir t. t.).
- Visiems pažeidimams, atsiradusiems kaip pasekmė dėl nerūpestingo prietaiso naudojimo arba naudojimo nesilaikant nurodymų.
- Korozijai arba spalvos pakitimui, kurį sukėlė išorinis poveikis, stiprių valymo priemonių ar chloro naudojimas ir t. t. Šie pažeidimai nelaikomi gamybos defektais.

LV – LIETOŠANAS PAMĀCĪBA

1 REĢISTRĒJIET SAVU IERĪCI

Paldies, ka iegādājāties “Barbecook” ierīci! Jūs sagaida jauna pieredze neatkarīgi no tā, vai izmantosiet ierīci dabas klusajā un mierpilnajā vidē vai dinamiskajā pilsētvidē. Kļūstiet par grilēšanas ekspertu mūsu #barbecook kopienā un popularizējiet savas grilēšanas prasmes.

Reģistrējiet savu “Barbecook” ierīci tiešsaistē un izbaudiet virkni priekšrocību:

- Pilnu piekļuvi lietotāja rokasgrāmatai un iespēju pilnībā iepazīt savu ierīci;
- Individuāli pielāgotu pēc pārdošanas apkalpošanu, kas ļaus ātri saņemt rezerves daļas un izmantot optimālu garantijas apkalpošanu;
- Mēs informēsim jūs par produkta atjauninājumiem un sniegsim padomus, rekomendācijas un iedvesmojošu informāciju, kas atraišis jūsu grilēšanas meistarību.

Esat gatavs piedzīvojumam? Reģistrējiet savu produktu un pievienojieties #barbecook kopienai!



Papildinformācija par ierīces reģistrēšanu ir pieejama vietnē www.barbecook.com.



“Barbecook” ciena jūsu privātumu. Jūsu dati netiks pārdoti, izplatīti vai koplietoti ar trešajām pusēm.

2 PAR ŠO ROKASGRĀMATU

Šajā rokasgrāmatā ir divas daļas. Pirmā daļa ir tā, kuru pašreiz lasāt. Tajā ir iekļauti norādījumi par ierīces montāžu, lietošanu un apkopi. Otrā daļa sākas 97. lpp. Tajā ir dažādi attēli:

- Šajā rokasgrāmatā aprakstītie ierīces izvērstie skati, daļu saraksts un montāžas zīmējumi.
- Ilustrācijas, kas attiecas uz svarīgākajiem pirmās rokasgrāmatas daļas norādījumiem.



Ja ir pieejama konkrēta norādījuma ilustrācija, norādījumā atradīsiet atsauci uz šo ilustrāciju. Pie šādām atsaucēm ir zīmuļa ikona, kāda redzama šeit pa kreisi.

3 SVARĪGI DROŠĪBAS NORĀDĪJUMI

Pirms ierīces izmantošanas izlasiet norādījumus. Vienmēr rūpīgi izpildiet norādījumus. Ierīces nepareiza montāža vai izmantošana var radīt aizdegšanos vai materiālos zaudējumus.



Uz bojājumiem, kas radušies, neievērojot norādījumus (nepareiza montāža, lietošana, apkope) garantija neattieksies.

- Lietojot ierīci, neatstājiet to bez uzraudzības.
- **BRĪDINĀJUMS!** Ierīce ļoti sakarst; lietošanas laikā nepārvietojiet to.
- Rīkojoties ar karstām ierīces daļām, izmantojiet piemērotus aizsarglīdzekļus.
- Turiet ugunsnedrošus materiālus un šķidrumus, kā arī kūstošus priekšmetus drošā attālumā no izmantojamās ierīces.
- **BRĪDINĀJUMS!** Neļaujiet bērniem un mājdzīvniekiem tuvoties ierīcei tās izmantošanas laikā.
- Lietojot ierīci, vienmēr novietojiet tai blakus spaini ar ūdeni vai smiltīm, it īpaši ļoti karstās dienās un sausās vietās.
- **BRĪDINĀJUMS!** Nelietojiet ierīci telpās.

Lietojiet šo ierīci tikai ārpus telpām. Izmantojot to telpās, kaut vai garāžā vai šķūnītī, var tikt izraisīta saindēšanās ar tvana gāzi.

Izvēloties vietu ārpus telpām, vienmēr:

- Novietojiet ierīci vismaz trīs metru attālumā no jebkuras ēkas, atklātā un labi vēdinātā vietā.
- Pārliedzieties, ka ierīce neatrodas zem kādas konstrukcijas (piemēram, zem terases vai cita veida nojumes) vai zem lapotnes.
- Barbekjū ierīce jāuzstāda uz stabilas, līdzenas pamatnes, pirms sākat to lietot. Nekādā gadījumā neuzstādiet to uz kustībā esoša transportlīdzekļa (laivas, treilera u. tml.).

4 ATKĀRTOTI JĒDZIENI

Šajā daļā ir iekļautas dažu mazāk pazīstamu jēdzienu definīcijas. Šie jēdzieni tiek izmantoti vairākos rokasgrāmatas tekstos.

4.1 Emalja

Dažas ierīces daļas ir pārklātas ar izkausēta stikla slāni, kas tiek dēvēts par emalju. Šī emalja aizsargā zem tās esošo metālu pret koroziju. Emalja ir augstas kvalitātes materiāls: tā ir izturīga pret rūsū, neizballo augstā temperatūrā, ir vienkārši apkopjama.



Tā kā emalja ir mazāk elastīga nekā metāls, ko tā pārklāj, ierīci lietojot nepareizi, emalja var atdalīties. Lai nepieļautu kļūmes, esiet uzmanīgs, montējot emaljētās daļas, un vienmēr apkopiet emaljas pārklājumu, kā tas aprakstīts šajā rokasgrāmatā.

5 IERĪCES MONTĀŽA

5.1 Drošības norādījumi

- Saliekot ierīci, nepārveidojiet to. Ierīces daļu pārveidošana ir ļoti bīstama un nav atļauta.
- Vienmēr rūpīgi izpildiet montāžas norādījumus.
- Lietotājs ir atbildīgs par ierīces pareizu montāžu. Uz nepareizas montāžas radītiem bojājumiem garantija neattiecas.

5.2 Ierīces montāža

Samontējiet ierīci, kā parādīts montāžas zīmējumos.



Minētie zīmējumi atrodami šīs rokasgrāmatas otrajā daļā pēc jūsu ierīces izvērsta skata.



Ierīces montāžai nav vajadzīgi nekādi īpaši darbarīki. Skrūvju pievilkšanas darbarīks ir iekļauts ierīces komplektā.

5.3 Pirms katras lietošanas

Uzlieciet ierīci uz stabilas, līdzenas un tīras pamatnes un pārliedzieties, ka mucas pamatne nesaskaras ar zemi. Grila gumijas kājām ir izolējoša funkcija.

6 IERĪCES SAGATAVOŠANA LIETOŠANAI

Nepieciešami aizdedzināšanas līdzekļi (kas atbilst EN 1860-3) un garš sērkokociņš.

6.1 Kādas kokogles lietot?

Vienmēr aizdedzināšanai izmantojiet tikai parastās kokogles, nevis briketes. Kad ogles aizdedzinātas, varat pievienot briketes. Aizdedzināšanai izmantojiet labas kvalitātes kokogles; ieteicams lietot standartam EN 1860-2 atbilstošas ogles. Labas kvalitātes kokogles veido lieli, spīdīgi ķieģeļi; tās neizdala daudz putekļu.

 Pirms kokogļu maisa uzglabāšanas pienācīgi noslēdziet to. Uzglabājiet kokogles tikai sausā vietā; neuzglabājiet tās pagrabā.

 Tvertnē drīkst iepildīt kokogles līdz 50 % (maks. 1,2kg) no tvertnes tilpuma. Ja tvertnē tiek iepildīts vairāk kokogļu, pārkaršanas rezultātā pastāv būtisku bojājumu radīšanas risks barbekjū ierīcei.

6.2 Ierīces aizdegšana

 Šī uzdevuma galvenās darbības parādītas 2. un 3. attēlā, 100. lpp.

- 1 Ievietojiet bļodas apakšpusē nedaudz aizdedzināšanas līdzekļa (2.a att.). Vienmēr lietojiet tikai tādas aizdedzināšanas līdzekļus, kas atbilst standartam EN 1860-3.
- 2 Apberiet aizdedzināšanas līdzekli ar kokoglēm (2.b att.). Padomi.

- Neievietojiet par daudz kokogļu. Jāaizpilda tikai trešdaļa no metāla bļodas.
- Pārliecinieties, ka vēl arvien ir iespējams piekļūt aizdedzināšanas līdzeklim.
- Ierīces aizdegšanai izmantojiet nelielus kokogļu gabaliņus. Pēc tam varat pievienot lielākas kokogles.

- 3 Paņemiet garu sērkokociņu un aizdedziniet aizdedzināšanas līdzekli (2.c att.).

 Izmantojot ierīci pirmo reizi, ļaujiet ugunij tajā degt 30 minūtes. Tādējādi ierīcē tiks likvidētas ražošanas procesa smērvielu atliekas.

 Šajā laikā uz ierīces vēl nenovietojiet restes. Ja tukšs grils tiks pārāk ilgstoši karsēts, tas var deformēties.

 **BRĪDINĀJUMS!** Ierīces aizdegšanai neizmantojiet spirtu vai benzīnu. Lietojiet tikai tādas aizdedzināšanas līdzekļus, kas atbilst standartam EN 1860-3.

- 4 Varat sākt grilēšanu, kad kokogles pārklājušās ar plānu baltu pelnu kārtu. Parasti tam nepieciešamas aptuveni 15 minūtes (2.d att.).

- 5 Ievietojiet ierīcē restes, ar to balstiem uz kokogļu bļodas āķiem. Lietojot ierīci, vienmēr novietojiet restes šādā stāvoklī.

 Ja vēlaties uzglabāt ierīci, novietojiet restu balstus blakus kokogļu bļodas āķiem (3. att. 100. lpp.). Ja restes ir apakšējā stāvoklī, varat uzlikt uz ierīces pārsegu. Skatiet arī "8.3 Ierīces uzglabāšana".

 Kokogles ir iespējams aizdedzināt arī, izmantojot Barbecook kokogļu aizdedzināšanas šķidrumu (223.3002.170). Kad kokogles ievietotas, ielejiet ierīces bļodā kokogļu aizdedzināšanas šķidrumu (1. att., 100. lpp.).

7 NODERĪGI PADOMI UN IETEIKUMI

7.1 Kā nepieļaut produktu piedegšanu

Lai nepieļautu produktu piedegšanu, nesāciet grilēšanu, kad metāla bļodā vēl ir liesmas. Uzgaidiet, līdz kokogles pārklājas ar plānu baltu pelnu kārtu.

7.2 Kā nepieļaut produktu pieķepšanu

Lai nepieļautu, ka produkti pieķep grilam:

- Pirms produktu novietošanas uz grila nedaudz uzklājiet tiem eļļu ar otiņu. Varat uzklāt eļļu arī pašam grilam.
- Neapgrieziet produktus par ātru. Ļaujiet tiem vispirms nedaudz apcepties.

7.3 Kā izvairīties no uzliesmojumiem

Uzliesmojumi ir pēkšņa liesma, kas paceļas no metāla bļodas grilējot. To parasti izraisa piloši tauki vai marināde.

Grilēšanas laikā daži uzliesmojumi ir parasta parādība. Taču pārāk bieži uzliesmojumi paaugstinās metāla bļodas temperatūru un var aizdedzināt uzkrājušos taukus. Lai nepieļautu uzliesmojumus:

- Pirms grilēšanas pārliecinieties, ka metāla bļoda ir tīra. Ieteicams tīrīt metāla bļodu pēc katras grilēšanas.
- Noņemiet no gaļas lieko tauku un marinādes daudzumu. Taukainai un/vai marinētai gaļai ir iespējams izmantot arī grilēšanas pannu.

8 IERĪCES APKOPE

8.1 Metāla bļodas tīrīšana

 Šī uzdevuma galvenās darbības parādītas 4. attēlā, 101. lpp.

Ieteicams tīrīt metāla bļodu pēc katras grilēšanas. Izmantojot pelnu tvertni, tas izdarāms ļoti ātri. Rīkojieties šādi:

- 1 Ļaujiet, lai ierīce pilnībā atdziest, un izņemiet restes.
- 2 Izņemiet metāla bļodas apakšējo režģi un ieslaukiet pelnus pelnu tvertnē (4.b att.).
- 3 Izceliet pelnu tvertni no bļodas (4.b att.) un izberiet pelnus spainī (4.c att.).
- 4 Ievietojiet pelnu tvertni un apakšējo režģi atpakaļ metāla bļodā.
- 5 Ievietojiet restes atpakaļ ierīcē (zemākajā stāvoklī) un uzlieciet uz ierīces pārsegu (4.d att.).

8.2 Restu tīrīšana

Iesakām iztīrīt resti pēc katras lietošanas reizes, izmantojot "Barbecook" tīrīšanas līdzekli.

 Resti drīkst tīrīt arī ar maigu tīrīšanas līdzekli vai dzeramo sodu. Nekādā gadījumā neizmantojiet restes tīrīšanai līdzekļus, kas paredzēti cepeškrāns tīrīšanai.

8.3 Ierīces uzglabāšana

Pēc katras lietošanas novietojiet ierīci uzglabāšanai. Rīkojieties šādi:

- 1 Izīriet bļodu un restes. Skatiet "8.1 Metāla bļodas tīrīšana" un "8.2 Restu tīrīšana"
- 2 Ievietojiet restes atpakaļ ierīcē, zemākajā stāvoklī.
- 3 Uz ierīces uzlieciet pārsegu.
- 4 Uzglabājiet ierīci sausā vietā (telpās, zem nojumes u.c.).

8.4 Rūsas veidošanās ierobežošana

Augšējam korpusa gredzenam ir tendence nedaudz rūstēt. Lai palēninātu šo procesu, varat ieeļļot gredzenu ar saules puķu eļļu.

i Rūsa nekaitē korpusam. Ja jums patīk raupjš izskats, nepūlīties eļļot korpusu.

8.5 Emaljēto, nerūsējošā tērauda, hromēto un ar pulveri klāto daļu uzturēšana

Ierīci veido emaljētas, nerūsējošā tērauda, hromētas un ar pulveri klātas daļas. Katrs materiāls jāapkopj citādi:

Materiāls	Kā uzturēt šo materiālu
Emalja	<ul style="list-style-type: none">• Neizmantojiet asus priekšmetus un sargieties to atsist pret cietu virsmu.• Nepakļaujiet sakarsušu emaljas pārklājumu aukstu šķidrums iedarbībai.• Varat izmantot metāla sūkļus un abrazīvus mazgāšanas līdzekļus.
Nerūsējošais tērauds un hroms	<ul style="list-style-type: none">• Nelietojiet agresīvus, abrazīvus un metāla tīrīšanas līdzekļus.• Tērauda tīrīšanai izmantojiet saudzīgus mazgāšanas līdzekļus.• Lietojiet mīkstu sūkli vai drānu.• Pēc tīrīšanas kārtīgi noskalojiet un pirms uzglabāšanas rūpīgi nosusiniet.
Ar pulveri pārklātās	<ul style="list-style-type: none">• Neizmantojiet asus priekšmetus. Lietojiet saudzīgus mazgāšanas līdzekļus, mīkstu sūkli vai drānu.• Pēc tīrīšanas kārtīgi noskalojiet un pirms uzglabāšanas rūpīgi nosusiniet.

⚠ Bojājumi, kas radušies, neievērojot šos norādījumus, tiks uzskatīti par nepiemērotu apkopi un uz tiem neattieksies garantija.

Zem jūsu ierīces izvērstā skata (otra rokasgrāmatas daļa) atradīsiet visu ierīces sastāvdaļu sarakstu. Šajā sarakstā ir iekļauts simbols, kas norāda katras daļas materiālu, tādēļ varat to izmantot, lai noteiktu, kā uzturēt attiecīgo detaļu. Daļu sarakstā ir šādi simboli:

Simbols	Materiāls
●	Emalja
▲	Hroms
■	Nerūsējošais tērauds
★	Ar pulveri pārklātās

8.6 Rezerves daļu pasūtīšana

Ierīces daļas, kas tiek tieši pakļautas uguns iedarbībai vai augstai temperatūrai, periodiski ir jāmaina. Rezerves daļu pasūtīšana:

- 1 Noskaidrojiet nepieciešamās rezerves daļas atsauces numuru. Visi atsauces numuri ir norādīti zem klaidskatiem šīs rokasgrāmatas otrajā daļā, kā arī vietnē www.barbecook.com.



Ja reģistrējāt savu ierīci tiešsaistē, jūs tiksiet automātiski novirzīts uz atbilstošo sarakstu savā "MyBarbecook" kontā. Tādējādi varēsiet pasūtīt nepieciešamās rezerves daļas tiešsaistē.

- 2 Pasūtiet rezerves daļas vietnē www.barbecook.com vai konkrētajā tirdzniecības vietā. Detaļas, uz ko attiecas garantija, iespējams pasūtīt tikai konkrētajā tirdzniecības vietā.

9 GARANTIJA

9.1 Uz ko attiecas garantija

Jūsu ierīcei ir divu gadu garantijas termiņš, kas sākas no iegādes dienas. Šī garantija attiecas uz visiem izgatavošanas defektiem, ar nosacījumu, ka:

- Ierīce tiek izmantota, samontēta un uzturēta saskaņā ar šīs rokasgrāmatas norādījumiem. Nepareizas montāžas vai apkopes radīti bojājumi netiek uzskatīti par izgatavošanas defektiem.
- Varat uzrādīt savas ierīces iegādes čeku.
- Barbecook kvalitātes nodaļa apstiprina, ka daļas ir bojātas un ka tās izrādījušās bojātas parastā darbības režīmā, lietojot pareizi samontētu un apkoptu ierīci.

Ja kāds no iepriekš minētajiem nosacījumiem nav izpildīts, jūs nevarat pieprasīt nekādu kompensāciju. Jebkurā gadījumā garantija attiecas tikai uz bojātās daļas(-u) remontu un nomainīšanu.

9.2 Uz ko garantija neattiecas

Garantija neattiecas uz tālāk aprakstītiem bojājumiem un defektiem:

- Parasts tieši ugunij vai intensīva karstuma iedarbībai pakļauto daļu nodilums un nolietojums (rūsēšana, deformēšanās, krāsas zaudējums...). Šīm daļām nepieciešama regulāra nomainīšana parasta darba apstākļos.
- Vizuālas nepilnības, no kurām nav iespējams izvairīties ražošanas procesā. Šīs nepilnības nav uzskatāmas par ražošanas defektiem.
- Visi nepiemērotas apkopes, nepareizas uzglabāšanas, montāžas vai iepriekš salikto daļu pārveidošanas radītie bojājumi.
- Visi ierīces nepareizas lietošanas un nevērīgas attieksmes radītie bojājumi (ierīce netiek lietota saskaņā ar šīs rokasgrāmatas norādījumiem; to izmanto komerciāliem nolūkiem...).
- Visi ierīces nevērīgas un neatbilstošas lietošanas radītie bojājumi.
- Rūsa vai krāsas zudums, ko rada ārēja ietekme, agresīvu mazgāšanas līdzekļu lietošana, hlora iedarbība... Šie bojājumi netiek uzskatīti par ražošanas defektiem.

PL – INSTRUKCJA UŻYTKOWNIKA

1 ZAREJESTRUJ SWOJE URZĄDZENIE

Dziękujemy za zakupienie grilla węglowego Barbecue! Cały, nowy świat czeka na ciebie, zarówno w zaciszu przyrody jak i wśród zgłębienia miasta. Zostań mistrzem grillowania w naszej społeczności #barbecue i pozwól nam ocenić twoje umiejętności grillowania.

Zarejestruj swój grill węglowy Barbecue online i uzyskaj dzięki temu następujące korzyści:

- Dostęp do pełnego podręcznika użytkownika i możliwość poznania każdego elementu urządzenia.
- Korzyści wynikające ze spersonalizowanego serwisu posprzedażowego, co umożliwi szybkie znajdowanie części zamiennych i profitów w postaci optymalnej usługi gwarancyjnej.
- Informacje o aktualizacjach produktu i dostępność do wskazówek, porad oraz inspiracji grillowych, dzięki czemu zostaniesz mistrzem grillowania.

Gotowy na wyzwanie? Zarejestruj swój produkt i przyłącz się do społeczności #barbecue!



Dalsze informacje o rejestracji urządzenia, można sprawdzić pod adresem www.barbecue.com.



Firma Barbecue szanuje twoją prywatność. Twoje dane nie zostaną sprzedane, nie będą rozpowszechniane lub udostępniane stronom trzecim.

2 O NINIEJSZEJ INSTRUKCJI

Instrukcja ta składa się z dwóch części. Pierwszą część właśnie Państwo czytają. Obejmuje ona instrukcje montażu, korzystania i konserwacji urządzenia. Druga część zaczyna się na stronie 97. Obejmuje ona wszystkie rodzaje rysunków:

- Widok urządzenia rozłożonego na części, listę części oraz rysunki montażowe urządzenia opisanego w niniejszej instrukcji.
- Są to rysunki pomocnicze do najważniejszych instrukcji pierwszej części instrukcji.



Jeśli dla danej instrukcji nie ma dostępnego rysunku, można znaleźć odniesienia do tego rysunku w instrukcji. Odniesienia te są poprzedzone symbolem ołówka, takiego jak ten umieszczony po lewej stronie.

3 WAŻNE INSTRUKCJE DOT. BEZPIECZEŃSTWA

Przed rozpoczęciem korzystania z urządzenia należy przeczytać instrukcje. Należy zawsze przestrzegać dokładnie instrukcji. Montaż lub korzystanie z urządzenia w inny sposób mogą spowodować pożar lub uszkodzenie materiału.



Uszkodzenia spowodowane nieprzestrzeganiem instrukcji (nieprawidłowy montaż, niewłaściwe użycie, niewystarczająca konserwacja) nie są objęte gwarancją.

- Nie należy pozostawiać urządzenia bez dozoru podczas korzystania.
- **OSTRZEŻENIE!** Urządzenie stanie się bardzo gorące, nie należy go przemieszczać podczas działania.
- Podczas obchodzenia się z gorącymi częściami należy stosować odpowiednią ochronę.
- Należy przechowywać palne materiały, ciecze oraz obiekty rozpuszczalne z dala od używanego urządzenia.

- **OSTRZEŻENIE!** Trzymać dzieci i zwierzęta z dala od urządzenia podczas korzystania.
- Trzymać wiadro z wodą lub piaskiem w pobliżu podczas korzystania z urządzenia, szczególnie w bardzo gorące dni oraz w suchych obszarach.
- **OSTRZEŻENIE!** Nie używać wewnątrz.

Z urządzenia należy korzystać wyłącznie na zewnątrz. Korzystanie wewnątrz, nawet w garażu lub szopie, może spowodować zatrucie tlenkiem węgla.

Podczas wyboru lokalizacji na zewnątrz należy zawsze:

- Urządzenie należy ustawić w odległości co najmniej trzech metrów od wszelkich budynków, w otwartym i dobrze wentylowanym miejscu.
- Należy się upewnić, że urządzenie nie znajduje się pod wystającym elementem konstrukcyjnym (ganek, zadaszenie...) lub pod folią.
- Przed użyciem, grill węglowy należy zainstalować na bezpiecznej, wypoziomowanej podstawie. Nigdy nie należy go umieszczać na ruchomym pojeździe (łódź, przyczepa...).

4 POWTARZAJĄCE SIĘ POJĘCIA

Niniejsza część obejmuje definicje niektórych mniej popularnych pojęć. Pojęcia te są stosowane w różnych tematach niniejszej instrukcji.

4.1 Emalia

Niektóre części urządzenia są pokryte warstwą stopionego szkła, zwanego emalią. Emalia zabezpiecza znajdujący się pod nią metal przed korozją. Emalia jest materiałem o wysokiej jakości: jest odporna na rdzę, nie blaknie pod wpływem działania wysokiej temperatury i jest bardzo łatwa w konserwacji.



Ze względu na to, że emalia jest mniej elastyczna niż metal, który został nią pokryty, fragmenty emalii mogą odprysnąć w przypadku nieprawidłowego obchodzenia się z urządzeniem. W celu uniknięcia problemów należy zachować ostrożność podczas montażu emaliowanych części i zawsze konserwować emalię w sposób opisany w dalszej części tej instrukcji.

5 MONTAŻ URZĄDZENIA

5.1 Instrukcje dot. bezpieczeństwa

- Nie należy modyfikować urządzenia podczas jego montażu. Jest to bardzo niebezpieczne i z tego względu zabronione jest modyfikowanie części urządzenia.
- Należy zawsze dokładnie przestrzegać instrukcji montażu.
- Użytkownik jest odpowiedzialny za prawidłowy montaż urządzenia. Uszkodzenia spowodowane w wyniku nieprawidłowego montażu nie są objęte gwarancją.

5.2 Montaż urządzenia

Zmontować urządzenie w sposób przedstawiony na rysunkach montażowych.

 Rysunki montażowe można znaleźć w drugiej części instrukcji, pod widokiem urządzenia rozebranego na części.

 Do montażu urządzenia nie są wymagane żadne specjalne narzędzia. Narzędzie do przykręcania śrub jest dostarczane wraz z urządzeniem.

5.3 Przed każdym użyciem

Umieść urządzenie na stabilnej, wypoziomowanej i czystej podstawie oraz upewnij się, że dolna część cylindra nie styka się z gruntem. Gumowe stopki grilla pełnią funkcję izolatora.

6 PRZYGOTOWANIE URZĄDZENIA DO UŻYTKU

Potrzebne są węgiel drzewny, podpałka (zgodna z normą EN 1860-3) i długa zapałka.

6.1 Jakiego rodzaju węgla drzewnego używać?

Należy zawsze rozpałać urządzenie przy użyciu tradycyjnego węgla drzewnego, nigdy nie używać brykietu. Po rozpaleniu ognia można dodać brykietu.

Do rozpalania urządzenia należy używać węgla drzewnego dobrej jakości, najlepiej zgodnego z normą EN 1860-2. Węgiel drzewny dobrej jakości składa się z dużych, błyszczących bloków i nie kurzy się.

 Należy prawidłowo zamknąć opakowanie węgla drzewnego przed przechowywaniem go. Zawsze przechowywać w suchym miejscu, nie przechowywać w piwnicy.

 Węgłem można wypełnić maks. 50% (maks. 1,2 kg) miski. Nadmierna ilość węgla może spowodować poważne uszkodzenie grilla z powodu zbyt wysokiej temperatury.

6.2 Rozpalanie urządzenia

 Główne kroki tego zadania zostały przedstawione na rys. 2 i 3, na stronie 100.

- Umieścić trochę podpałki na dnie kotła (rys. 2a). Należy zawsze stosować podpałki zgodne z normą EN 1860-3.
- Na podpałkę położyć węgiel drzewny (rys. 2b). Wskazówki:
 - Nie używać zbyt dużej ilości węgla drzewnego. Kocioł powinien być wypełniony w zaledwie jednej trzeciej wysokości.
 - Upewnić się, że nadal można dosięgnąć podpałki.
 - Należy używać niewielkich kawałków węgla drzewnego w celu rozpalenia urządzenia. Następnie można dodać większe bloki.
- Za pomocą długiej zapałki podpalić podpałkę (rys. 2c).
 -  Korzystając z urządzenia po raz pierwszy, należy pozostawić je rozpalone przez 30 minut. Spowoduje to usunięcie wszelkich pozostałości smarów produkcyjnych z urządzenia.
 -  Nie należy jeszcze umieszczać grilla na urządzeniu. Pusty grill może się odkształcać w przypadku zbyt długiego pozostawienia w ciepłe.
 -  **OSTRZEŻENIE!** Nie należy używać spirytusu lub benzyny w celu rozpalenia lub ponownego rozpalenia urządzenia. Należy stosować wyłącznie podpałki zgodne z normą EN 1860-3.
- Grillowanie można rozpocząć, gdy węgiel drzewny pokryje się cienką warstwą białego popiołu. Zazwyczaj trwa to około 15 minut (rys. 2d).

- Położyć kratkę na urządzeniu, umieszczając jej wsporniki na hakach kotła na węgiel drzewny. Zawsze umieszczają kratkę w takim położeniu podczas korzystania z urządzenia.

 Podczas przechowywania urządzenia umieścić wsporniki kratki obok haków kotła na węgiel drzewny (rys. 3 na stronie 100). Gdy kratka znajduje się dolnym położeniu, istnieje możliwość umieszczenia pokrywy na urządzeniu. Patrz również "8.3 Przechowywanie urządzenia".

 Istnieje również możliwość rozpalenia węgla drzewnego w Barbecue starterze na węgiel drzewny (223.3002.170). Gdy węgiel drzewny jest gotowy, wystarczy go wysypać ze startera na węgiel drzewny do kotła na węgiel drzewny urządzenia (rys. 1, strona 100).

7 PRZYDATNE WSKAZÓWKI I PORADY

7.1 Zapobieganie przypalaniu żywności

Aby nie dopuścić do przypalania żywności, nigdy nie rozpoczynać grillowania, jeśli w kotle nadal są płomienie. Należy odczekać, aż węgiel drzewny pokryje się cienką warstwą białego popiołu.

7.2 Zapobieganie przywieraniu żywności

Aby zapobiec przywarciu żywności do grilla:

- Należy pokryć żywność delikatnie olejem przy pomocy pędzla przed umieszczeniem jej na grillu. Można również pokryć olejem sam grill.
- Nie odwracać zbyt szybko żywności. Należy poddać ją najpierw działaniu ciepła.

7.3 Unikanie wybuchów płomieni

Wybuchy płomieni to nagłe płomienie, które wystrzelają z kotła podczas grillowania. Są one zazwyczaj powodowane przez kąpiący tłuszcz lub marynatę.

Podczas grillowania pojedyncze wybuchy płomieni są zjawiskiem normalnym. Jednakże zbyt wiele wybuchów zwiększa temperaturę w kotle i może spowodować zapalenie się nagromadzonego tłuszczu. Aby uniknąć wybuchów płomieni:

- Należy upewnić się, że kocioł jest czysty przed rozpoczęciem grillowania. Zalecamy czyszczenie kotła po każdym użyciu.
- Usunąć nadmiar tłuszczu i marynaty z mięsa. Można również użyć patelni grillowej do tłustego i/lub marynowanego mięsa.

8 KONSERWACJA URZĄDZENIA

8.1 Czyszczenie kotła

 Główne kroki tego zadania są przedstawione na rys. 4, na stronie 101.

Zalecamy czyszczenie kotła po każdym użyciu. Dzięki zbiornikowi na popiół czynność ta zajmuje to niewiele czasu. Należy wykonać poniższe kroki:

- Odczekać aż urządzenie całkowicie ostygnie, a następnie usunąć kratkę.
- Wyjąć dolną kratkę z kotła i zmieść popiół do zbiornika na popiół (rys. 4a).
- Wyjąć zbiornik z popiołem z kotła (rys. 4b), a następnie wysypać popiół do wiadra (rys. 4c).
- Umieścić zbiornik na popiół i dolną kratkę z powrotem w kotle.
- Umieścić kratkę z powrotem w urządzeniu (w najniższym położeniu) i przykryć urządzenie pokrywą (rys. 4d).

8.2 Czyszczenie kratki

Zalecamy czyszczenie grilla po każdym użyciu, z zastosowaniem środka czyszczącego Barbecue.



Grill można także czyścić łagodnym detergentem lub dwuwęglanem sodu. Nigdy nie należy używać do czyszczenia grilla środków do czyszczenia piekarników.

8.3 Przechowywanie urządzenia

Przechowywać urządzenie po każdym jego użyciu. Należy wykonać poniższe kroki:

- 1 Oczyszczyć kocioł i kratkę. Patrz "8.1 Czyszczenie kotła" i "8.2 Czyszczenie kratki"
- 2 Ponownie umieścić kratkę na urządzeniu w najniższym położeniu.
- 3 Umieścić pokrywę na urządzeniu.
- 4 Przechowywać urządzenie w suchym miejscu (wewnątrz, pod zadaszeniem...).

8.4 Ograniczanie powstawania rdzy

Górny pierścień beczki ma tendencję do lekkiego rdzewienia. Aby spowolnić ten proces, należy naoliwić pierścień za pomocą oleju słonecznikowego.



To spowoduje, że rdza nie uszkodzi beczki. Jeśli nie widać żadnych oznak rdzewienia, nie naoliwiać beczki.

8.5 Konserwacja części pokrytych emalią, stalą nierdzewną, chromem oraz malowanych proszkowo

Urządzenie składa się z części emaliowanych, ze stali nierdzewnej, chromowanych i malowanych proszkowo. Każdy materiał należy konserwować w inny sposób:

Materiał	Sposób konserwacji materiału
Emalia	<ul style="list-style-type: none">• Nie używać ostrych obiektów ani nie uderzać o twardą powierzchnię.• Unikać kontaktu gorącego kotła z zimnymi płynami.• Można korzystać z metalowych łyżek i żrących detergentów.
Stal nierdzewna i chrom	<ul style="list-style-type: none">• Nie stosować ostrych, żrących detergentów lub środków do metalu.• Korzystać z łagodnych detergentów i pozostawić je na stali.• Używać miękkiej gąbki lub szmatki.• Splukać dokładnie po czyszczeniu i dobrze osuszyć przed przechowywaniem.
Części malowane proszkowo	<ul style="list-style-type: none">• Nie używać ostrych przedmiotów. Używać łagodnych detergentów, miękkiej gąbki lub szmatki.• Splukać dokładnie po czyszczeniu i dobrze osuszyć przed przechowywaniem.



Uszkodzenia spowodowane nieprzestrzeganiem niniejszych instrukcji są uznawane jako nieodpowiednia konserwacja i nie są objęte gwarancją.

Poniżej widoku urządzenia rozebranego na części (druga część instrukcji) znajduje się lista wszystkich części, z których składa się urządzenie. Lista ta obejmuje symbol, który określa materiał, z którego wykonana jest każda część, można więc z niej skorzystać w celu sprawdzenia sposobu konserwacji poszczególnych części. Na liście części stosowane są następujące symbole:

Symbol	Materiał
●	Emalia
▲	Chrom
■	Stal nierdzewna
★	Części malowane proszkowo

8.6 Zamawianie części zamiennych

Części narażone bezpośrednio na ogień lub na intensywne ciepło należy od czasu do czasu wymieniać. Aby zamówić część zapasową:

- 1 Należy odszukać numer referencyjny potrzebnej części. Lista wszystkich numerów referencyjnych znajduje się poniżej ilustracji budowy w drugiej części tego podręcznika i pod adresem www.barbecue.com.



Śli urządzenie została zarejestrowane online, nastąpi automatyczne przeniesienie do prawidłowej listy na posiadanym koncie MyBarbecue. Istnieje możliwość zamówienia części online.

- 2 Zamów część zapasową przez www.barbecue.com lub w punkcie sprzedaży. Części na gwarancji można zamawiać tylko w punkcie sprzedaży.

9 GWARANCJA

9.1 Zakres gwarancji

Urządzenie posiada dwuletnią gwarancję rozpoczynającą się od daty zakupu. Gwarancja ta obejmuje wszystkie wady produkcyjne pod warunkiem, że:

- Urządzenie jest stosowane, montowane i konserwowane zgodnie z instrukcjami zawartymi w niniejszej instrukcji. Uszkodzenia spowodowane przez niewłaściwe użycie, nieprawidłowy montaż lub niewystarczającą konserwację nie są uznawane za wady produkcyjne.
- Właściciel jest w stanie przedstawić rachunek urządzenia.
- Barbecue Dział Jakości potwierdza, że części są wadliwe i okazały się wadliwe podczas normalnego użytkowania, prawidłowego montażu oraz wystarczającej konserwacji.

Jeśli jeden z powyższych warunków nie zostanie spełniony, nie można ubiegać się o żadną formę rekompensaty. We wszystkich przypadkach gwarancja jest ograniczona do naprawy lub wymiany wadliwej/-ych części.

9.2 Wyłączenie gwarancji

Następujące uszkodzenia oraz wady nie są objęte gwarancją:

- Normalne zużycie (rdzewienie, odkształcenie, odbarwienie) części, które są bezpośrednio wystawione na działanie ognia lub intensywnego ciepła. Wymiana tych części jest normalna od czasu do czasu.
- Nieregularności wizualne, które są nieodłączną częścią procesu produkcji. Nieregularności te nie są uznawane za wady produkcyjne.
- Wszystkie uszkodzenia spowodowane przez niewystarczającą konserwację, nieprawidłowe przechowywanie, niewłaściwy montaż lub modyfikacje wprowadzane we wstępnie zmontowanych częściach.
- Wszelkie uszkodzenia spowodowane przez niewłaściwe użycie i nadużycie urządzenia (korzystanie niezgodne z instrukcjami w niniejszej instrukcji obsługi, korzystanie w celach komercyjnych...).
- Wszelkie szkody wtórne spowodowane przez nieostrożne lub niezgodne z przepisami wykorzystanie urządzenia.
- Rdza lub odbarwienia spowodowane przez wpływ otoczenia, zastosowanie agresywnych detergentów, wystawienie na działanie chloru... Uszkodzenia te nie są uznawane za wady produkcyjne.

BG - РЪКОВОДСТВО ЗА ПОТРЕБИТЕЛЯ

1 РЕГИСТРИРАЙТЕ СВОЯ УРЕД

Благодарим Ви, че закупихте уред Barbecook! Очаква Ви един нов свят, на който можете да се насладите в тишината на природата или наред шума на големия град. Станете майстор на скарата в нашата социална мрежа #barbecue и ни позволете да насочим прожектора към Вашите умения със скарата.

Регистрирайте своя уред Barbecook, за да получите някои основни предимства:

- Получавате достъп до пълното ръководство на потребителя и се запознавате с всяка част от уреда си.
- Имате на разположение персонална услуга за продажби, което Ви позволява бързо да откривате резервни части и Ви дава оптимално гаранционно обслужване
- Информираме Ви за актуализации на продукти и Ви даваме съвети, трикове и вдъхновение, което да изкара наяве майстора на скарата във Вас.

Готови ли сте за приключения? Регистрирайте своя продукт и се присъединете към социалната мрежа #barbecue!

 За повече информация относно регистрирането на Вашия уред вижте www.barbecue.com.

 Barbecook уважава личните Ви данни. Те няма да бъдат продавани, разпространявани или споделяни с трети страни.

2 ЗА ТОВА РЪКОВОДСТВО

Това ръководство е съставено от две части. Първата част е тази, която четете в момента. Тя включва инструкции за сглобяването, използването и поддръжката на вашия уред. Втората част започва на страница 97. Тя включва всички видове илюстрации:

- Разглобени изгледи, списъци с части и чертежи за сглобяване на уреда, описани в това ръководство.
- Илюстрации, подпомагащи най-важните инструкции от първата част на ръководството.

 Ако за дадена инструкция е налична илюстрация, можете да намерите справка за тази илюстрация в инструкцията. Тези справки са предшествани от икона на молив като тази, която виждате тук вляво.

3 ВАЖНИ ИНСТРУКЦИИ ЗА БЕЗОПАСНОСТ

Прочетете инструкциите, преди да използвате уреда. Винаги следвайте внимателно инструкциите. Сглобяването или използването на уреда по различен начин, може да причини пожар и повреда на материала.

 Повредите, причинени от неспазване на инструкциите (неправилно сглобяване, неправилна употреба, недостатъчна поддръжка и др.) не се покриват от гаранцията.

- Не го оставяйте без надзор, когато се използва.
- ПРЕДУПРЕЖДЕНИЕ ! Това барбекю става много горещо, не премествайте по време на работа
- Използвайте подходяща защита, когато боравите с горещи части.
- Не допускайте уред, който се използва, да има контакт със запалими материали, запалими течности или разтворими предмети.
- ПРЕДУПРЕЖДЕНИЕ ! Дръжте децата и домашните любимци на разстояние

- ПРЕДУПРЕЖДЕНИЕ! Не допускайте деца и домашни любимци близо до уреда, когато той се използва.
- Не използвайте на закрито!

Използвайте уреда само на открито. Използването му на закрито, дори в гараж или навес, може да причини натравяне с въглероден окис.

Когато избирате местоположение на открито, винаги:

- Поставете уреда на разстояние най-малко три метра от сграда, на открито място с добра вентилация.
- Уверете се, че уредът не се намира под висяща конструкция (веранда, заслон...) или под листа.
- Барбекютото трябва да бъде инсталирано на сигурна и равна основа преди употреба. Да не се поставя в движещо се превозно средство (лодка, ремарке...).

4 ПОВТАРЯЩИ СЕ КОНЦЕПЦИИ

Тази част включва дефиниции на някои по-непознати концепции. Тези концепции се използват в няколко теми от това ръководство.

4.1 Емайл

Някои части на уреда са покрити с пласт разтопено стъкло, наречено емайл. Този емайл предпазва метала под него от корозия. Емайлът е висококачествен материал: той е устойчив на ръжда, не избледнява под влиянието на високи температури и е лесен за поддръжка.



Тъй като емайлът не е толкова гъвкав, колкото метала, който покрива, парчета от емайла могат да се откъснат при неправилно боравене с уреда. За да избегнете проблеми, бъдете внимателни при сглобяване на емайлираните части и винаги поддържайте емайла, както е описано в това ръководство.

5 СГЛОБЯВАНЕ НА УРЕДА

5.1 Инструкции за безопасност

- Не модифицирайте уреда при сглобяването му. Много опасно е и не е позволено да се променят частите на уреда.
- Винаги следвайте внимателно инструкциите за сглобяване.
- Потребителят носи отговорност за правилното сглобяване на уреда. Повредите, причинени от неправилно сглобяване, не се покриват от гаранцията.

5.2 За да сглобите уреда

Сглобете уреда, както е показано на чертежите за сглобяване

 Можете да намерите чертежите за сглобяване във втората част на това ръководство след разглобеният изглед на уреда.

 Не са ви необходими специални инструменти за сглобяване на уреда. Уредът се доставя с инструмент за затягане на винтовете.

5.3 Преди всяка употреба

Поставете уреда върху стабилна, равна и чиста основа и се уверете, че долната част на варела няма контакт със земята. Гумените крачета, предоставени с барбекюто, имат изолираща функция.

6 ПОДГОТОВКА НА УРЕДА ЗА ИЗПОЛЗВАНЕ

Необходими са ви въглища, подпалки (отговарящи на EN 1860-3) и дълга кибритена клечка.

6.1 Какви въглища да използвам?

Винаги запалвайте своя уред с традиционни въглища, никога с брикети. След запалване на уреда можете да добавите брикети.

За запалване на уреда използвайте въглища с добро качество, за предпочитане отговарящи на изискванията на стандарт EN 1860-2. Въглищата с добро качество са съставени от големи блестящи блокове и не отделят много прах.

 Затворете правилно торбата с въглища, преди да я съхраните. Винаги я съхранявайте на сухо място, не я съхранявайте в килер.

 Можете да напълните до 50% (макс. 1,2 kg) от купата с въглища. Препълването на купата може сериозно да повреди барбекюто поради прекомерно високата температура.

6.2 Запалване на уреда

 Главните стъпки на това действие са илюстрирани на фигура 2 и 3 на страница 100.

- 1 Поставете подпалки в дъното на купата (фиг. 2a). Винаги използвайте подпалки, отговарящи на изискванията на стандарт EN 1860-3.
- 2 Покрийте подпалките с въглища (фиг. 2b). Съвети:
 - Не използвайте твърде много въглища. Само една трета от купата трябва да е запълнена.
 - Уверете се, че можете да стигнете подпалките.
 - Използвайте малки парчета въглища за запалване на уреда. Можете да добавите по-големи късове след това.
- 3 Вземете дълга клечка кибрит и запалете подпалките (фиг. 2c).
 -  Когато използвате уреда за пръв път, го оставете да гори 30 минути. Това отстранява евентуалните останали производствени мазнини от уреда.
 -  Все още не поставяйте скарата върху уреда. Празната скара може да се деформира, когато се държи на топлина дълго време.
 -  **ПРЕДУПРЕЖДЕНИЕ!** Не използвайте спирт или нефтопродукти за запалване или запалване! Използвайте само подпалки, отговарящи на EN 1860-3!
- 4 Преди започване на печенето, изчакайте горивото да се покрие със слой пепел. Това обикновено отнема около 15 минути (фиг. 2d).
- 5 Поставете скарата на уреда, като закачите нейните подпори за куките на купата за въглища. Винаги поставяйте скарата в това положение, когато използвате уреда.

 Когато искате да съхраните уреда, поставете подпорите на скарата близо до куките на купата за въглища (фиг. 3 на стр. 100). Когато скарата е в това по-ниско положение, можете да поставите капака върху уреда. Вижте също "8.3 Съхранение на уреда".

 Можете също да запалите въглищата в Barbecue разпалвачката за въглища. Когато въглищата са готови, просто ги изсипете от разпалвачката в купата на уреда (фиг. 1, стр. 100).

7 ПОЛЕЗНИ СЪВЕТИ И ПРЕПОРЪКИ

7.1 Предотвратяване на изгарянето на храната

За да предотвратите изгаряне на храната, никога не започвайте да печете, когато все още има пламъци в купата. Изчакайте, докато въглените се покриват от тънък слой бяла пепел.

7.2 Предотвратяване на залепването на храната

За да предотвратите залепването на храната към скарата:

- Намажете по храната малко мазнина с четка, преди да я поставите на скарата. Можете също да намажете самата скара.
- Не обръщайте храната прекалено бързо. Първо я оставете да се затопли.

7.3 Избягване на внезапни пламъци:

Искрите са внезапни пламъци, които излизат от купата, когато печете на скара. Те обикновено са причинени от капеща мазнина или марината.

По време на печене на скара е нормално да се появят внезапни пламъци. Прекалено многото внезапни пламъци, обаче, увеличават температурата в купата и могат да запалят натрупаната мазнина. За да избегнете внезапните пламъци:

- Проверете дали купата е чиста, преди да започнете да печете на грил. Препоръчваме ви да почиствате купата след всяко използване.
- Отстранете излишната мазнина и марината от месото. Можете също да използвате тиган за грил за мазно и/или Мариновано месо.

8 ПОДДРЪЖКА НА УРЕДА

8.1 Почистване на купата

 Главните стъпки на това действие са илюстрирани на фигура 4 на страница 101.

Препоръчваме ви да почиствате купата след всяко използване. С контейнера за пепел това се извършва за минимално време. Направете следното:

- 1 Оставете уреда да се охлади напълно и отстранете скарата.
- 2 Отстранете долната решетка от купата и изчеткайте пепелта в контейнера за пепел (фиг. 4a).
- 3 Повдигнете контейнера за пепел от купата (фиг. 4b) и изсипете пепелта в кофа (фиг. 4c).
- 4 Поставете контейнера за пепел и долната решетка обратно в купата.
- 5 Поставете скарата обратно върху уреда (на най-ниско положение) и поставете капака върху уреда (фиг. 4d).

8.2 Почистване на скарата

Препоръчваме почистване на грила след всяка употреба. Използвайте почистващ препарат Barbecook.

-  Можете също така да почистите грила с мек почистващ препарат или със сода бикарбонат. Да не се използват почистващи препарати за фурни за почистване на грила.

8.3 Съхранение на уреда

Прибирайте уреда след всяко използване. Направете следното:

- 1 Почистете купата и скарата. Вижте “8.1 Почистване на купата” и “8.2 Почистване на скарата”
- 2 Поставете скарата обратно върху уреда, на най-ниско положение.
- 3 Поставете капака върху уреда.
- 4 Съхранявайте уреда на сухо място (на закрито, под навес...).

8.4 Ограничаване на образуването на ръжда

Възможно е горният пръстен на корпуса да хване ръжда. За да забавите този процес, можете да намажете пръстена със слънчогледово масло.

-  Ръждата не поврежда корпуса. Ако харесвате по-грубия външен вид, не се занимавайте с намазване на корпуса с олио.

8.5 Поддръжка на части с покритие от емайл, неръждаема стомана, хром и части с прахово покритие

Уредът е съставен от части с покритие от емайл, неръждаема стомана, хром и части с прахово покритие. Всеки материал трябва да се поддържа по различен начин:

Материал	Как да поддържате този материал
Емайл	<ul style="list-style-type: none">• Не използвайте остри предмети и не удряйте в твърда повърхност.• Избягвайте контакта със студени течности, докато уредът все още е горещ.• Можете да използвате метални гъби и абразивни миещи препарати.
Неръждаема стомана и хром	<ul style="list-style-type: none">• Не използвайте агресивни, абразивни или метални миещи препарати.• Използвайте меки миещи препарати и ги оставете да действат по стоманата.• Използвайте мека гъба или кърпа.• Изплакнете обилно след почистване и изсушете добре преди съхранение.
Прахово покритие	<ul style="list-style-type: none">• Не използвайте остри предмети. Използвайте меки почистващи препарати и мека гъба или кърпа.• Изплакнете обилно след почистване и изсушете добре преди съхранение.

-  Повредите, причинени от неспазване на тези инструкции, се считат за недостатъчна поддръжка и не се покриват от гаранцията.

Под разглобения вид на вашия уред (втората част на ръководството) ще намерите списък с всички части, съставляващи уреда. Този списък включва символ, който посочва материала на всяка част, така че можете да го използвате, за да проверите как да поддържате определена част. Списъкът с части използва следните символи:

Символ	Материал
●	Емайл
▲	Хром
■	Неръждаема стомана
★	Прахово покритие

8.6 Поръчка на резервни части

Частите, които са изложени директно на огъня или на висока температура трябва да се сменят от време на време. Поръчван на резервни части:

- 1 Вижте номера за справка на частта, от която имате нужда. Ще откриете всички номера за справка под разширените изгледи във втората част на това ръководство и на адрес www.barbecook.com.

-  Ако сте регистрирали уреда си онлайн, автоматично ще бъдете пренасочени към правилния списък във Вашия MyBarbecook профил. Там имате възможност да поръчате своите части онлайн.

- 2 Поръчайте резервни части чрез www.barbecook.com или във Вашия магазин. Гаранционните части се поръчват само от магазина.

9 ГАРАНЦИЯ

9.1 Какво се покрива от гаранцията

Вашият уред се продава с двегодишна гаранция от датата на покупка. Тази гаранция включва всички производствени дефекти, при условие, че:

- Сте използвали, сглобили и поддържали своя уред в съответствие с инструкциите в това ръководство. Повредите, причинени от неправилна употреба, неправилно сглобяване или недостатъчна поддръжка, не се считат за производствени дефекти.
- Можете да предоставите квитанцията за вашия уред.
- Отделът по качеството на Barbecook потвърди, че частите са дефектни и са дефектирали при нормалната употреба, правилно сглобяване и достатъчна поддръжка.

Ако едно от горните условия не е изпълнено, не можете да претендирате за каквато и да е форма на компенсация. Във всички случаи гаранцията е ограничена до ремонта или подмяната на дефектната(ите) част(и).

9.2 Какво не се покрива от гаранцията

Следните повреди и дефекти не се покриват от гаранцията:

- Нормално износване (ръждясване, изкривяване, обезцветяване и др.) на частите, които са директно изложени на огън или силна топлина. Подмяната на тези части от време на време е нормална.
- Визуални несъответствия, които са присъщи за производствения процес. Тези несъответствия не се считат за производствени дефекти.
- Всички повреди, причинени от недостатъчна поддръжка, неправилно съхранение, неправилно сглобяване или модификации, направени по предварително сглобените части.
- Всички повреди, причинени от неправилно използване или злоупотреба с уреда (ако не се използва според инструкциите в това ръководство, ако се използва за търговски цели и др.).
- Всички повреди вследствие на невнимателно използване или използване на уреда не по предназначение.
- Ръжда или обезцветяване, причинени от външни влияния, използването на агресивни миешки препарати, излагането на хлор и др. Тези повреди не се считат за производствени дефекти.

SI – PRIROČNIK ZA UPORABO

1 REGISTRIRAJTE VAŠO NAPRAVO

Hvala, ker ste kupili napravo Barbecue! Povsem nov svet čaka, da ga raziščete, naj bo to v miru in tišini narave ali v mestnem vrvežu. Postanite mojster žara v naši skupnosti #barbecue in dovolite, da vaše veščine postavimo v ospredje.

Registrirajte svojo napravo Barbecue na spletu in deležni boste nekaj velikih prednosti:

- Dobili boste dostop do celotnega uporabniškega priročnika in spoznali prav vsak del svoje naprave.
- Na voljo so vam poprodajne storitve po vaši meri, da boste lahko hitro našli nadomestne dele in izkoristili optimalno garancijo.
- Obveščeni boste o izboljšavah izdelkov in prejeli nasvete, trike in navdih, ki bodo v vas prebudili mojstra žara.

Ste pripravljeni na dogodivščino? Registrirajte svoj izdelek in se pridružite skupnosti #barbecue!



Več informacij o registraciji naprave najdete na spletni strani www.barbecue.com.



Družba Barbecue spoštuje vašo zasebnost. Vaši podatki ne bodo prodani, posredovani ali deljeni s tretjimi osebami.

2 O TEM PRIROČNIKU

Ta priročnik je sestavljen iz dveh delov. Pravkar berete prvi del. Ta vsebuje navodila za sestavljanje, uporabo in vzdrževanje vaše naprave. Drugi del se začne na strani 97. Vsebuje različne slike:

- Ta priročnik vsebuje povečane prikaze, sezname delov in skice za sestavljanje naprave.
- Slike, ki služijo kot podporno gradivo najpomembnejših navodil iz prvega dela priročnika.



Če je za določeno navodilo na voljo slika, je sklic na sliko naveden v tem navodilu. Pred sklicem je naveden simbol pisala, ki je prikazan na levi strani.

3 POMEMBNA VARNOSTNA NAVODILA

Pred uporabo naprave preberite navodila. Vedno natančno upoštevajte navodila. Drugačno sestavljanje ali uporaba naprave lahko povzroči požar in materialno škodo.



Garancija ne velja za poškodbe, ki nastanejo zaradi neupoštevanja navodil (nepravilno sestavljanje, zloraba, neprimerno vzdrževanje itd.).

- Naprave med uporabo ne puščajte nenadzorovane.
- **POZOR!** Naprava se močno segreje, med uporabo je ne premikajte.
- Pri rokovanju z vročimi deli uporabite primerno zaščito.
- Vnetljivih materialov, vnetljivih tekočin in topljivih predmetov ne približujte napravi, ko jo uporabljate.
- **POZOR!** Otroci in živali se napravi med uporabo naj ne približujejo.
- Med uporabo naprave imejte v bližini vedro vode ali peska, predvsem ob zelo vročih dneh in v suhih območjih.
- **POZOR!** Ni primerno za uporabo v notranjih prostorih.

Napravo je dovoljeno uporabljati samo na prostem. Če napravo uporabljate v notranjih prostorih, tudi v garaži ali uti, lahko pride do zastrupitve z ogljikovim monoksidom.

Pri izbiranju mesta uporabe na prostem vedno:

- Napravo postavite najmanj tri metre od katere koli zgradbe, na odprto in dobro prezračevano območje.
- Prepričajte se, da naprava ne stoji pod previsnimi deli veranda, zaklon itd.) ali pod drevesi.
- Žar je treba pred uporabo namestiti na varno, ravno podlago. Nikoli ga ne postavljajte na premikajoče se vozilo (čoln, prikolico itd.).

4 PONAVLJAJOČI SE KONCEPTI

Ta del vsebuje definicije nekaterih manj znanih konceptov. Ti koncepti so uporabljeni v več poglavjih priročnika.

4.1 Emajl

Nekateri deli naprave so prevlečeni s plastjo staljenega stekla, ki se imenuje emajl. Ta emajl ščiti kovino pred korozijo. Emajl je visokokakovosten material: odporen je na rjo, ne zbledi pod vplivom visokih temperatur in je preprost za vzdrževanje.



Ker je emajl manj prožen od kovine, ki jo prekriva, se lahko delci emajla v primeru nepravilne uporabe naprave odlomijo. Da bi preprečili težave, bodite pazljivi pri sestavljanju emajliranih delov in emajl vedno vzdržujte, kot je opisano v nadaljevanju tega priročnika.

5 SESTAVLJANJE NAPRAVE

5.1 Varnostna navodila

- Naprave med sestavljanjem ne spreminjajte. Spreminjanje delov naprave je zelo nevarno in ni dovoljeno.
- Vedno natančno upoštevajte navodila za sestavljanje.
- Uporabnik je odgovoren za pravilno sestavljanje naprave. Garancija ne vključuje poškodb, ki so posledica nepravilnega sestavljanja.

5.2 Sestavljanje naprave

Napravo sestavite, kot prikazujejo skice za sestavljanje.



Skice za sestavljanje najdete v drugem delu tega priročnika, za povečanim prikazom vaše naprave.



Za sestavljanje naprave ne uporabljajte posebnega orodja. Orodje za privijanje vijakov je priloženo napravi.

5.3 Pred vsako uporabo

Aparat postavite na stabilno, ravno in čisto podlago ter se prepričajte, da se dno ognjene posode ne dotika tal. Gumijaste noge žara so predvidene kot izolacija.

6 PRIPRAVLJANJE NAPRAVE ZA UPORABO

Potrebujete oglje, netila (v skladu s standardom EN 1860-3) in dolgo vžgalico.

6.1 Katero oglje naj uporabim?

Žar vedno vžgite z običajnim ogljem, nikoli z briketi. Ko je žar vžgan, lahko dodate brikete.

Za vžig naprave uporabite kakovostno oglje, če je možno, v skladu s standardom EN 1860-2. Kakovostno oglje vsebuje velike, svetleče kose oglja in ne pusti veliko pepela.



Preden vrečko oglja shranite, jo dobro zaprite. Vedno jo shranite na suhem mestu, ne shranjujte je v kleti.



Z ogljem lahko napolnite največ 50 % (največ 1,2 kg) kotla. Prenapolnjenost kotla lahko resno poškoduje žar zaradi prekomerne toplote.

6.2 Prižiganje naprave

 Glavni koraki tega postopka so prikazani na slikah 2 in 3, na strani 100.

- 1 Na dno posode položite nekaj kosov netil (sl. 2a). Vedno uporabljajte netila v skladu s standardom EN 1860-3.
- 2 Netila pokrijte z ogljem (sl. 2b). Nasveti:
 - Ne uporabljajte preveč oglja. Napolnjena mora biti samo tretjina kurišča.
 - Še vedno morate doseči netila.
 - Za prižiganje naprave uporabite majhne koščke oglja. Večje kose lahko dodate naknadno.
- 3 Z dolgo vžigalico prižgite netila (sl. 2c).



Pri prvi uporabi naprave pustite papir goreti 30 minut. S tem se z naprave odstranijo morebitni ostanki proizvodnih masti.



Rešetke še ne namestite na napravo. Prazna rešetka se lahko preoblikuje, če je predolgo izpostavljena toploti.



POZOR! Za prižiganje ali ponovno prižiganje naprave ne uporabljajte alkohola ali bencina. Uporabljajte samo netila v skladu s standardom EN 1860-3.

- 4 Žar lahko začnete uporabljati, ko je oglje prevlečeno s tanko plastjo belega pepela. Običajno je to po 15 minutah (sl. 2d).
- 5 Položite rešetko na napravo tako, da so njeni nosilci na kavljih posode za oglje. Pri uporabi naprave naj bo rešetka vedno v tem položaju.



Če želite shraniti napravo, položite nosilce rešetke poleg kavljev posode za oglje (sl. 3, na strani 100). Ko je rešetka v spodnjem položaju, lahko napravo pokrijete. Glejte tudi "8.3 Shranjevanje naprave".



Oglje lahko prižgete tudi v posodi za prižiganje oglja Barbecue (223.3002.170). Ko je oglje pripravljeno, ga preprosto vsipajte iz posode za prižiganje oglja v posodo naprave (sl. 1, stran 100).

7 KORISTNI NASVETI IN NAMIGI

7.1 Preprečevanje prismojene hrane

Da se hrana ne bi prismojila, je ne polagajte na rešetko, ko je v kurišču še plamen. Počakajte, da bo oglje prevlečeno s tanko plastjo belega pepela.

7.2 Preprečevanje sprijemanja hrane

Da se hrana ne bi sprijela na rešetko:

- Preden hrano položite na rešetko, jo s čopičem rahlo premažite z oljem. Z oljem lahko namažete tudi rešetko.
- Hrane ne obračajte prehitro. Počakajte, da se segreje.

7.3 Preprečevanje vzplamtive ognja

Vzplamtivev ognja pomeni, da med pečenjem na žaru iz kurišča nenadoma zagorijo plameni. Običajno do njih pride zaradi kapljanja maščobe ali marinade.

Med pečenjem na žaru je določena mera vzplamtivev ognja običajna. Zaradi premočne vzplamtivev ognja pa lahko naraste temperatura v kurišču in nakopičena maščoba se lahko vname. Da bi preprečili vzplamtivev ognja:

- Pred uporaba žara se prepričajte, da je kurišče čisto. Priporočamo, da kurišče očistite po vsaki uporabi.
- Odstranite odvečno maščobo in marinado mesa. Za mastno in/ali marinirano meso lahko uporabite tudi ponev za žar.

8 VZDRŽEVANJE NAPRAVE

8.1 Čiščenje kurišča



Glavni koraki tega postopka so prikazani na sliki 4, na strani 101.

Priporočamo, da kurišče očistite po vsaki uporabi. S posodo za pepel boste to opravili zelo hitro. Storite naslednje:

- 1 Počakajte, da se naprava popolnoma ohladi, in odstranite rešetko.
- 2 Odstranite spodnjo rešetko iz kurišča in pometite pepel v posodo za pepel (sl. 4a).
- 3 Dvignite posodo za pepel iz kurišča (sl. 4b) in vsipajte pepel v vedro (sl. 4c).
- 4 Znova namestite posodo za pepel in spodnjo rešetko v kurišče.
- 5 Znova namestite rešetko v napravo (v najnižji položaj) in pokrov na napravo (sl. 4d).

8.2 Čiščenje rešetke

Priporočamo, da rešetko po vsaki uporabi očistite s čistilom Barbecue.



Rešetko lahko očistite tudi z blagim detergentom ali s sodo bikarbono. Rešetke nikoli ne čistite s čistili za pečico.

8.3 Shranjevanje naprave

Napravo po vsaki uporabi shranite. Storite naslednje:

- 1 Očistite kurišče in rešetko. Glejte "8.1 Čiščenje kurišča" in "8.2 Čiščenje rešetke"
- 2 Rešetko znova namestite na napravo v najnižji položaj.
- 3 Namestite pokrov na napravo.
- 4 Napravo shranite na suhem mestu (v notranjih prostorih, pod zaščito).

8.4 Omejevanje rjavenja

Na zgornjem obroču soda obstaja nevarnost rjavenja. Da bi ta postopek upočasnili, lahko obroč naoljite s sončničnim oljem.



Rja ne škoduje sodu. Če vam je rustikalen videz všeč, soda ne oljite.

8.5 Vzdrževanje emajliranih delov, delov iz nerjavečega jekla, delov iz kroma in delov s praškastim premazom

Naprava je sestavljena iz emajliranih delov, delov iz nerjavečega jekla, kromiranih delov in delov s praškastim premazom. Vsak material potrebuje drugačno vzdrževanje:

Material	Kako vzdrževati ta material
Emajl	<ul style="list-style-type: none">• Ne uporabljajte ostrih predmetov in ne udarjajte ob trde površine.• Preprečite stik s hladnimi tekočinami, ko je emajl še vroč.• Uporabite lahko kovinske gobice in abrazivne detergente.

Material	Kako vzdrževati ta material
Nerjaveče jeklo in krom	<ul style="list-style-type: none"> Ne uporabljajte agresivnih, abrazivnih ali kovinskih sredstev za čiščenje. Uporabljajte blage detergente in jih pustite delovati na jeklu. Uporabite mehko gobico ali krpo. Po čiščenju dobro sperite in posušite, preden shranite.
S praškastim premazom	<ul style="list-style-type: none"> Ne uporabljajte ostrih predmetov. Uporabljajte blage detergente in mehko gobico ali krpo. Po čiščenju dobro sperite in posušite, preden shranite.

 Poškodbe, ki nastanejo zaradi neupoštevanja navodil, se štejejo kot neprimerno vzdrževanje in zanje garancija ne velja.

Pod povečanim prikazom naprave (drugi del priročnika) je naveden seznam delov, iz katerih je naprava sestavljena. Ta seznam vsebuje simbole, ki opredeljujejo material vsakega dela in vam bodo pomagali pri izbiranju pravega načina vzdrževanja tega dela. V seznamu delov so uporabljeni naslednji simboli:

Simbol	Material
●	Emajl
▲	Krom
■	Nerjaveče jeklo
★	S praškastim premazom

8.6 Naročanje nadomestnih delov

Dele, ki so neposredno izpostavljeni ognju ali intenzivni toploti, je treba občasno zamenjati. Za naročilo nadomestnega dela:

- 1 Poiščite referenčno številko dela, ki ga potrebujete. Seznam vseh referenčnih številok najdete pod povečanimi slikami v drugem delu tega priročnika in na spletni strani www.barbecook.com.

 Če ste napravo registrirali na spletu, boste avtomatsko preusmerjeni na pravi seznam v vašem računu MyBarbecook. Tam lahko tudi naročite dele prek spleta.

- 2 Nadomestni del naročite na spletni strani www.barbecook.com ali na prodajnem mestu. Dele, ki jih krije garancija, lahko naročite samo na prodajnem mestu.

9 GARANCIJA

9.1 Vključeno v garancijo

Za vašo napravo velja dvoletna garancija, ki začne teči z dnem nakupa. Ta garancija velja za vse proizvodne napake, če:

- je bila naprava uporabljena in vzdrževana v skladu z navodili iz tega priročnika. Poškodbe, ki nastanejo zaradi zlorabe, nepravilnega sestavljanja ali nepravilnega vzdrževanja, se ne smatrajo kot proizvodne napake.
- Lahko predložite račun za napravo.
- Oddelek za zagotavljanje kakovosti Barbecook potrdi, da so deli poškodovani in so se poškodovali med normalno uporabo, kljub pravilnemu sestavljanju in primernemu vzdrževanju.

Če kateri od prej navedenih pogojev ni izpolnjen, ne morete zahtevati kakršnihkoli povračil. V vseh primerih je garancija omejena na popravilo ali zamenjavo pokvarjenega(-ih) dela(-ov).

9.2 Izvzeto iz garancije

Garancija ne velja za naslednje poškodbe in napake:

- Normalno obrabo (rjavenje, preoblikovanje, razbarvanje itd.) delov, ki so neposredno izpostavljeni ognju ali intenzivni toploti. Običajno je, da je treba te dele občasno zamenjati.
- Vizualne nepravilnosti, ki so običajne za postopek proizvodnje. Te nepravilnosti se ne smatrajo kot proizvodne napake.
- Vse poškodbe, ki nastanejo zaradi nepravilnega vzdrževanja, nepravilnega shranjevanja, nepravilnega sestavljanja ali sprememb vnaprej sestavljenih delov.
- Vse poškodbe, ki nastanejo zaradi zlorabe naprave (uporabe, ki ni v skladu z navodili iz tega priročnika, uporabe za komercialno uporabo itd.).
- Vse posledične poškodbe, ki nastanejo zaradi malomarne ali nepredvidene uporabe naprave.
- Rja ali razbarvanje, ki sta posledica zunanjih vplivov, uporabe agresivnih čistil, izpostavljenosti kloru itd. Te poškodbe se ne smatrajo kot proizvodne napake.

HR - KORISNIČKI PRIRUČNIK

1 REGISTRIRAJTE VAŠ UREĐAJ

Hvala na kupnji proizvoda Barbecue! Čitav svijet čeka da ga istražite, bez obzira nalazite li se u mirnom i tihom okruženju prirode ili usred užurbanog grada. Postanite majstor roštilja u našoj #barbecue zajednici i dopustite nam da izložimo vaše vještine.

Registrirate li svoj proizvod Barbecue putem interneta, moći ćete uživati u sljedećim prednostima:

- Dobit ćete pristup cijelom korisničkom priručniku i moći ćete se upoznati s radom svih dijelova uređaja.
- Moći ćete koristiti personaliziranu uslugu postprodaje koja će vam omogućiti brzo pretraživanje rezervnih dijelova, uključujući i optimalan jamstveni servis.
- Obavještavat ćemo vas o ažuriranjima proizvoda i s vama ćemo dijeliti savjete, trikove i nadahnuća kako bismo iz vas izvukli majstora roštilja.

Jeste li spremni za avanturu? Registrirajte uređaj i pridružite se #barbecue zajednici!



Više informacija o registriranju uređaja potražite na web-mjestu www.barbecue.com.



Barbecue poštuje vašu privatnost. Vaše podatke nećemo prodavati, distribuirati niti dijeliti s trećim stranama.

2 O OVOM PRIRUČNIKU

Ovaj priručnik se sastoji od dva dijela. Prvi dio je onaj koji upravo čitate. Uključuje upute za sklapanje, uporabu i održavanje vašeg uređaja. Drugi dio počinje na stranici 97. Uključuje različite vrste ilustracija:

- Prikaze rastavljenog sklopa, popise dijelova i nacрте za sklapanje uređaja opisanih u ovom priručniku.
- Ilustracije koje podržavaju najvažnije upute prvog dijela priručnika.



Ako postoji ilustracija za pojedinu uputu, u uputama ćete pronaći napomenu koja vam ukazuje na tu ilustraciju. Ispred ovakvih napomena pronaći ćete ikonu olovke, kao onu koju možete vidjeti s lijeve strane.

3 VAŽNE SIGURNOSNE NAPOMENE

Pročitajte upute prije korištenja uređaja. Uvijek pažljivo slijedite upute. Sklapanje ili uporaba uređaja na način drugačiji od navedenog može izazvati požar i materijalnu štetu.



Oštećenja nastala zbog nepridržavanja uputa (nepravilno sklapanje, pogrešna uporaba, neodgovarajući način održavanja...) nisu pokrivena jamstvom.

- Ne ostavljajte uređaj bez nadzora dok je u uporabi.
- UPOZORENJE! Ovaj roštilj postat će jako vruć, ne pomicajte ga za vrijeme rada!
- Upotrijebite odgovarajuću zaštitu prilikom rukovanja vrućim dijelovima.
- Držite zapaljive materijale, tekućine za potpalu i topive predmete podalje od uređaja koji je u uporabi.
- UPOZORENJE! Držati izvan dohvata djece i kućnih ljubimaca!
- Držite kantu s vodom i pijeskom pri ruci prilikom korištenja uređaja, posebno za vrućih dana i u suhim područjima.
- Ne upotrebljavajte u zatvorenim prostorima!

Koristite uređaj isključivo na otvorenom. Korištenje uređaja u zatvorenom prostoru, čak i u garaži ili spremištu, može izazvati trovanje ugljičnim monoksidom.

Prilikom odabira lokacije na otvorenom uvijek:

- Uređaj postavite najmanje tri metra od bilo koje građevine, na otvorenom i prozračnom mjestu.
- Uređaj nemojte držati ispod nadvijene strukture (trijem, nadstrešnica...) niti držati prekrivenog lišćem.
- Prije upotrebe, roštilj postavite na sigurnu i ravnu površinu. Nikad ga nemojte postavljati na vozilo u pokretu (čamac, prikolica...).

4 ČESTO KORIŠTENI POJMOVI

U ovom dijelu pronaći ćete objašnjenja nekih manje poznatih pojmova. Ovi pojmovi javljaju se u mnogim poglavljima ovog priručnika.

4.1 Emajl

Neki dijelovi uređaja prekriveni su slojem rastopljenog stakla zvanim emajl. Ovaj emajl štiti metal od korozije. Emajl je materijal visoke kvalitete: otporan je na hrđu, ne blijedi pod utjecajem visokih temperatura i vrlo je jednostavan za održavanje.



S obzirom da je emajl manje fleksibilan od metala koji pokriva dijelovi emajla mogu se odlomiti ako uređaj ne koristite pravilno. Kako biste izbjegli probleme budite oprezni prilikom sklapanja emajliranih dijelova i uvijek održavajte emajl na način opisan u ovom priručniku.

5 SKLAPANJE UREĐAJA

5.1 Sigurnosne upute

- Nemojte raditi izmjene na uređaju tijekom montaže. Jako je opasno i nije dopušteno mijenjati dijelove uređaja.
- Uvijek pažljivo slijedite upute za sastavljanje.
- Korisnik je odgovoran za točno sastavljanje uređaja. Oštećenja nastala nepravilnim sastavljanjem nisu pokrivena jamstvom.

5.2 Kako biste sklopili uređaj

Sklopite uređaj kako je prikazano na skicama za sklapanje.



Skice za sklapanje pronaći ćete u drugom dijelu ovog priručnika, nakon prikaza rastavljenog sklopa vašeg uređaja.



Prilikom sklapanja uređaja ne morate koristiti nikakve posebne alate. Alat za pritezanje vijaka isporučuje se s uređajem.

5.3 Prije svake uporabe

Aparat stavite na stabilnu i niveliranu podlogu i pazite da dno cilindra nije u dodiru s tlom. Gumene nožice na roštilju imaju izolacijsku funkciju.

6 PRIPREMANJE UREĐAJA ZA UPOTREBU

Potreban Vam je ugljen, kocke za potpalu (u skladu s EN 1860-3) i duga žigica.

6.1 Koji ugljen trebam koristiti?

Uvijek potpaljujte Vaš uređaj tradicionalnim ugljenom, nikada pomoću briketa. Nakon što je uređaj upaljen možete dodati brikete.

Upotrebljavajte ugljen visoke kvalitete, po mogućnosti onaj koji je u skladu s EN 1860-2, kako biste upalili uređaj. Ugljen visoke kvalitete sadrži velike, sjajne komade i ne ispušta mnogo prašine.

 Prije pohranjivanja dobro zatvorite vašu vreću s ugljenom. Uvijek je spremite na suho mjesto, ne pospremajte je u podrum.

 Ugljenom ispunite najviše 50 % (najveć 1,2 kg) zdjele. Prepunite li zdjelu, možete ozbiljno oštetiti roštilj zbog generiranja prekomjerne topline.

6.2 Paljenje uređaja

 Glavni koraci ovog zadatka prikazani su na slikama 2 i 3, na stranici 100.

- 1 Stavite kocke za potpalu na dnu zdjele (Sl. 2a). Upotrebljavajte uvijek kocke za potpalu koje su u skladu s EN 1860-3.
- 2 Prekrijte kocke za potpalu ugljenom (Sl. 2b). Savjeti:
 - Nemojte koristiti previše ugljena. Potrebno je napuniti samo trećinu zdjele.
 - Pobrinite se da još uvijek možete doći do kocki za potpalu.
 - Upotrijebite male komade ugljena kako biste upalili uređaj. Veće komade možete dodati kasnije.
- 3 Uzmite dugu žigicu i upalite kocke za potpalu (Sl. 2c).
 -  Prilikom prvog korištenja uređaja pustite ga da gori 30 minuta. Na ovaj način ćete ukloniti sve masti preostale prilikom proizvodnje uređaja.
 -  Još uvijek ne stavljajte rešetku na uređaj. Prazna rešetka se može izobličiti ako se predugo zagrijava.
 -  **UPOZORENJE!** Ne upotrebljavati alkohol ili benzin za potpalu ili ponovnu potpalu! Upotrebljavati samo sredstva za potpalu sukladna s normom EN 1860-3!
- 4 Ne peći prije nego što se na gorivu stvori sloj pepela! Inače je za to potrebno oko 15 minuta (Sl. 2d).
- 5 Postavite rešetku na uređaj tako da njegove držače objesite na kukice zdjele za ugljen. Uvijek postavite rešetku u ovaj položaj kada upotrebljavate uređaj.
 -  Kada želite spremite uređaj, postavite držače rešetke pokraj kukica zdjele za ugljen (Sl. 3, na stranici 100). Kada se rešetka nalazi u nižem položaju, tada možete postaviti poklopac na uređaj. Pogledajte također "8.3 Pospremanje uređaja".
 -  Također možete upaliti ugljen u malom kaminu za paljenje ugljena Barbecue . Kada je ugljen spreman, jednostavno ga prespite iz malog kamina za paljenje ugljena u zdjelu uređaja (Sl. 1, stranica 100).

7 KORISNI SAVJETI I TRIKOVNI

7.1 Sprečavanje spaljivanja hrane

Kako biste spriječili spaljivanje hrane, nikada ne započinjite s pečenjem dok u zdjeli još uvijek ima plamenova. Pričekajte dok ugljen ne bude prekriven tankim slojem bijelog pepela.

7.2 Sprečavanje lijepljenja hrane

Kako biste spriječili lijepljenje hrane za rešetku:

- Pomoću kista premažite hranu s malo ulja prije nego što je stavite na rešetku. Možete nauljiti i samu rešetku.
- Ne okrećite hranu prebrzo. Dopustite da se prvo malo zagrije.

7.3 Izbjegavanje iznenadnih plamsaja

Iznenadni plamsaji su neočekivani plamećci koji iskaču iz zdjele prilikom roštiljanja. Najčešće ih uzrokuje kapanje masnoće ili marinade.

Tijekom pečenja hrane normalno je da se pojave iznenadni plamsaji. Međutim, previše iznenadnih plamsaja povišava temperaturu zdjele i može zapaliti nakupljenu masnoću. Kako biste izbjegli iznenadne plamsaje:

- Provjerite da je zdjela čista prije nego što počnete s pečenjem. Preporučamo čišćenje zdjele nakon svake upotrebe.
- Uklonite višak masnoće i marinade s mesa. Možete koristiti i grill tavu za masno i/ili marinirano meso.

8 ODRŽAVANJE UREĐAJA

8.1 Čišćenje zdjele

 Glavni koraci ovog zadatka prikazani su na Slici 4, na stranici 101.

Preporučamo čišćenje zdjele nakon svake upotrebe. Uz spremnik za pepeo to obavite u tren oka. Postupak je sljedeći:

- 1 Pričekajte da se uređaj potpuno ohladi i izvadite rešetku.
- 2 Izvadite donju rešetku iz zdjele i četkom izmetite pepeo u spremnik za pepeo (Sl. 4a).
- 3 Izvadite spremnik za pepeo iz zdjele (Sl. 4b) i izbacite pepeo u kantu (Sl. 4c).
- 4 Stavite spremnik za pepeo i donju rešetku natrag u zdjelu.
- 5 Stavite rešetku natrag na uređaj (u najniži položaj) i stavite poklopac na uređaj (Sl. 4d).

8.2 Čišćenje rešetke

Preporučujemo da roštilj nakon svake upotrebe očistite sredstvom za čišćenje Barbecue.

 Roštilj možete čistiti i blagim deterdžentom ili sodom bikarbonom. Roštilj nemojte čistiti sredstvima za čišćenje pećnica.

8.3 Pospremanje uređaja

Uređaj pohranite nakon svake upotrebe. Postupak je sljedeći:

- 1 Očistite zdjelu i rešetku. Pogledajte "8.1 Čišćenje zdjele" i "8.2 Čišćenje rešetke"
- 2 Postavite rešetku na uređaj u najniži položaj.
- 3 Postavite poklopac na uređaj.
- 4 Uređaj spremite na suho mjesto (zatvoren prostor, ispod zaklona...).

8.4 Sprečavanje stvaranja hrđe

U pravilu se na gornjem obruču bačvastog kotla stvara mala količina hrđe. Kako biste usporili taj proces, obruč možete nauljiti suncokretovim uljem.

 Hrđa ne šteti bačvastom kotlu. Ako vam se sviđa robustan izgled, bačvasti kotao ne morate mazati uljem.

8.5 Održavanje dijelova od emajla, nehrđajućeg čelika, kroma i elektrostatske boje u prahu

Uređaj se sastoji od dijelova napravljenih od emajla, nehrđajućeg čelika, kroma i elektrostatske boje u prahu. Svaki materijal se treba održavati na drugačiji način:

Materijal	Kako održavati ovaj materijal
Emajl	<ul style="list-style-type: none">Nemojte koristiti oštre predmete i nemojte udarati po tvrdj površini.Izbjegavajte kontakt s hladnim tekućinama dok je materijal još uvijek vruć.Možete koristiti metalne spužve i abrazivne deterdžente.
Nehrđajući čelik i krom	<ul style="list-style-type: none">Nemojte koristiti agresivne, abrazivne ili metalne deterdžente.Upotrebjavajte biorazgradive deterdžent i pustite ga da djeluje na čelik.Upotrebjavajte mekanu spužvu ili tkaninu.Nakon čišćenja temeljito isperite i dobro osušite prije pohranjivanja.
Obojen elektrostatsko m bojom u prahu	<ul style="list-style-type: none">Nemojte koristiti oštre predmete. Upotrebjavajte biorazgradive deterdžente i mekanu spužvu ili tkaninu.Nakon čišćenja temeljito isperite i dobro osušite prije pohranjivanja.

 Oštećenja nastala zbog nepridržavanja ovih uputa smatraju se neodgovarajućim načinom održavanja i nisu pokrivena jamstvom.

Ispod prikaza rastavljenog sklopa vašeg uređaja (drugi dio priručnika) pronaći ćete popis sa svim dijelovima od kojih se uređaj sastoji. Na popisu su uključeni simboli koji određuju materijal svakog dijela, tako da ga možete koristiti kako biste provjerili na koji način trebate održavati pojedini dio. Na popisu dijelova upotrebljavaju se sljedeći simboli:

Simbol	Materijal
●	Emajl
▲	Krom
■	Nehrđajući čelik
★	Obojen elektrostatskom bojom u prahu

8.6 Naručivanje rezervnih dijelova

Dijelove koji su izravno izloženi plamenu ili intenzivnoj toplini s vremena na vrijeme treba mijenjati. Naručivanje rezervnog dijela:

1 Potražite referentni broj predmetnog dijela. Popis svih referentnih dijelova možete pronaći ispod proširenih prikaza u drugom dijelu ovog priručnika i na web-mjestu www.barbecue.com.

 Ako ste uređaj registrirali na internetu, postupak će vas automatski preusmjeriti na odgovarajući popis u vašem računar MyBarbecue. Ondje ćete imati mogućnost naručivanja dijelova na internetu.

2 Rezervni dio naručite na web-mjestu www.barbecue.com ili kod svog prodavača. Dijelove obuhvaćene jamstvom možete naručivati samo kod svog prodavača.

9 JAMSTVO

9.1 Obuhvaćeno

Vaš se uređaj isporučuje s dvogodišnjim jamstvom koje počinje vrijediti od dana kupnje. Ovo jamstvo obuhvaća sve greške u proizvodnji samo ako:

- Koristite, sastavite i održavate vaš uređaj u skladu s uputama u ovom priručniku. Oštećenja izazvana pogrešnom uporabom, nepravilnim postavljanjem ili neodgovarajućim održavanjem ne smatraju se greškama u proizvodnji.
- Možete predočiti račun za vaš uređaj.
- Zavod za ispitivanje kvalitete Barbecue potvrđuje da su dijelovi neispravni i da su se pokazali neispravni pri uobičajenom korištenju, pravilnom sklapanju i odgovarajućem održavanju.

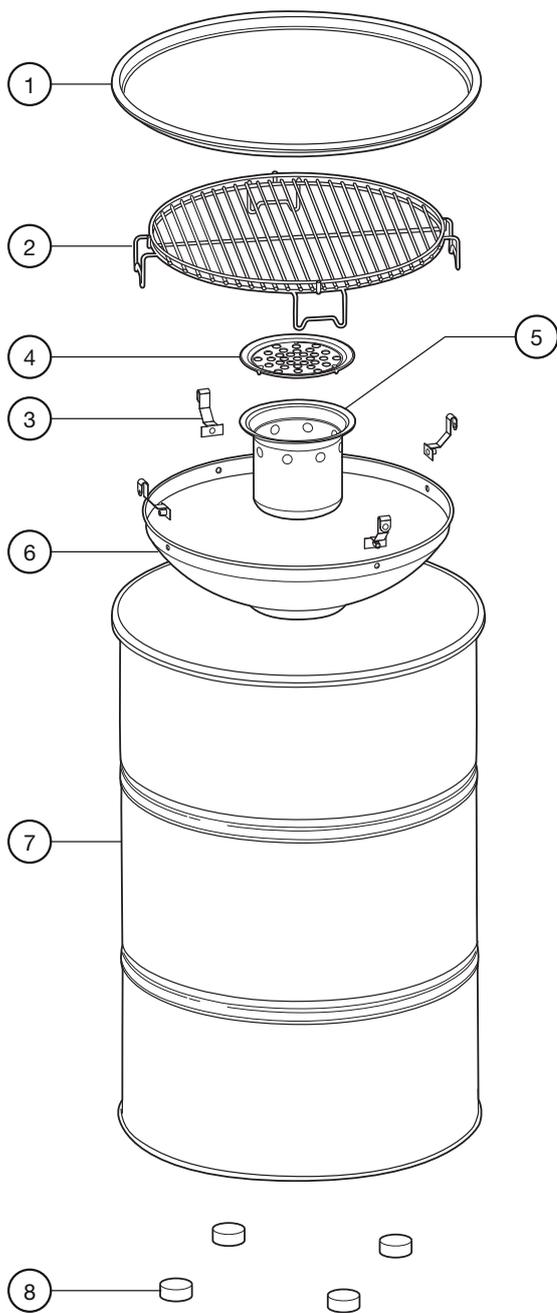
Ako nije ispunjen jedan od gore navedenih uvjeta, ne možete tražiti nikakvu nadoknadu. U svakom slučaju jamstvo je ograničeno na popravak ili zamjenu dijela ili dijelova koji su neispravni.

9.2 Nije obuhvaćeno

Sljedeća oštećenja i kvarovi nisu obuhvaćeni jamstvom:

- Normalno trošenje (hrđa, izobličenja, promjena boje...) dijelova koji su izravno izloženi vatri ili jakoj toplini. Normalno je s vremena na vrijeme zamijeniti ove dijelove.
- Vizualne nepravilnosti koje su svojstvene procesu proizvodnje. Ove nepravilnosti ne smatraju se kvarom u proizvodnji.
- Sva oštećenja uzrokovana neodgovarajućim održavanjem, nepravilnim skladištenjem, nepravilnom montažom ili izmjenama na prethodno montiranim dijelovima.
- Sva oštećenja nastala zbog pogrešne uporabe i zlouporabe uređaja (ne koristeći ga u skladu s uputama iz ovog priručnika, koristeći ga za komercijalne svrhe...).
- Sve posljedične štete uzrokovane nemarnom upotrebom uređaja ili nepridržavanjem uputa.
- Hrđa ili promjena boje izazvani vanjskim utjecajima, upotrebom agresivnih deterdženata, izloženosti kloru... Ova oštećenja ne smatraju se kvarom u proizvodnji.

Illustrations



EDSON BLACK
223.6010.000

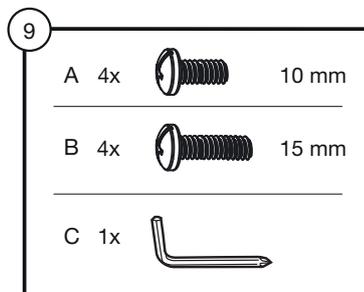
1	227.6010.001	
2	227.6010.002	▲
3	227.6010.003	★
4	227.2020.018	■
5	227.6010.005	■
6	227.6010.006	●
7	223.6010.001	★
8	227.6010.007	
9	227.6010.008	

EDSON RED
223.6080.000

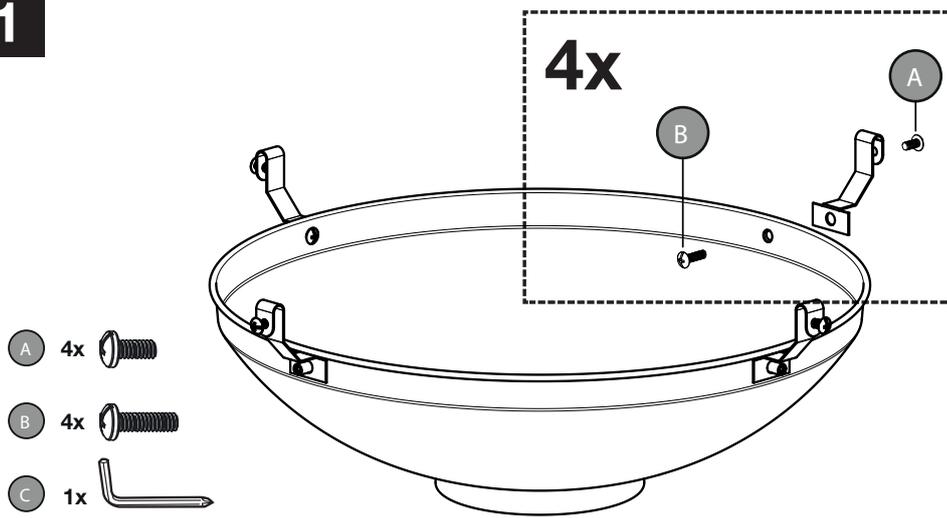
1	227.6010.001	
2	227.6010.002	▲
3	227.6010.003	★
4	227.2020.018	■
5	227.6010.005	■
6	227.6010.006	●
7	223.6080.001	★
8	227.6010.007	
9	227.6010.008	

EDSON ARMY GREEN
223.6030.000

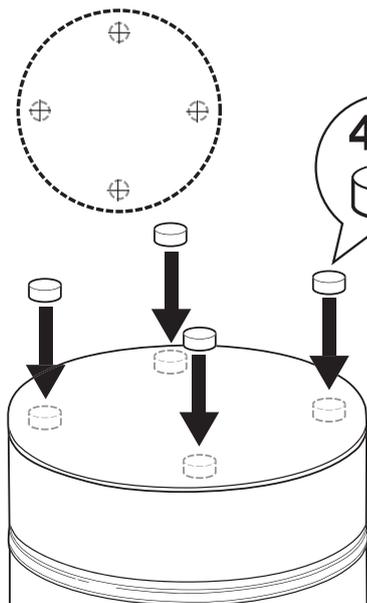
1	227.6010.000	
2	227.6030.002	●
3	227.6010.003	★
4	227.2020.018	■
5	227.6010.005	■
6	227.6010.006	●
7	223.6030.002	★
8	227.6010.007	
9	227.6010.008	



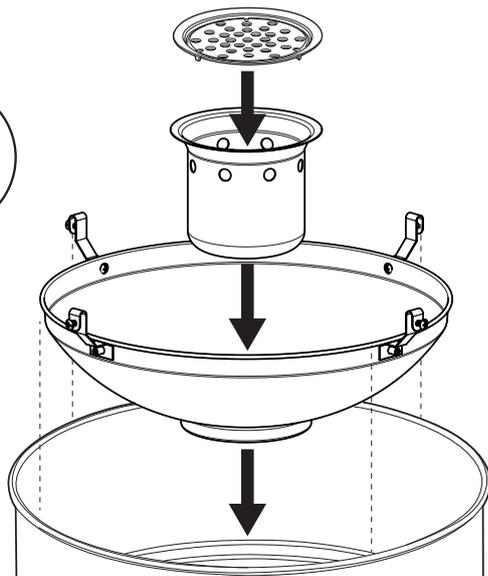
1

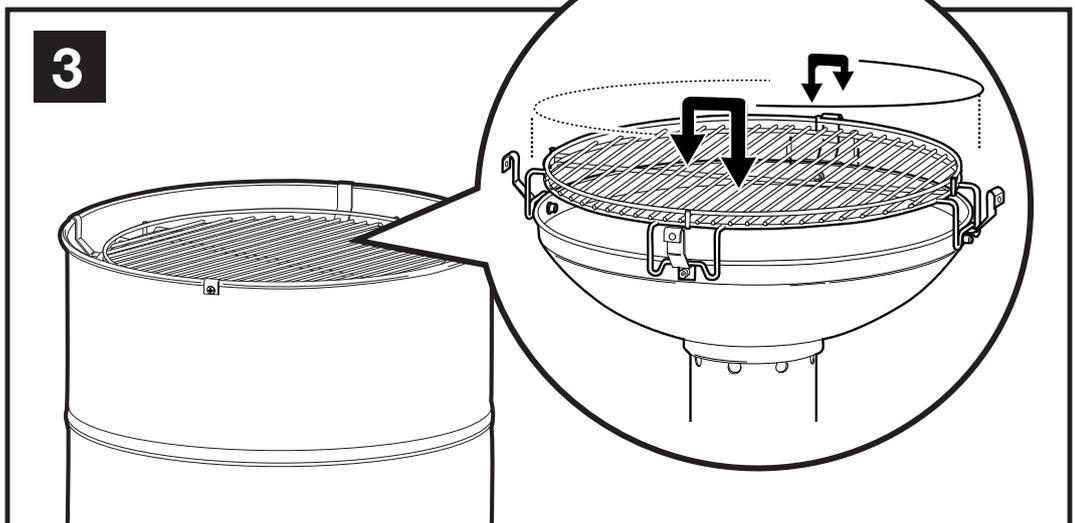
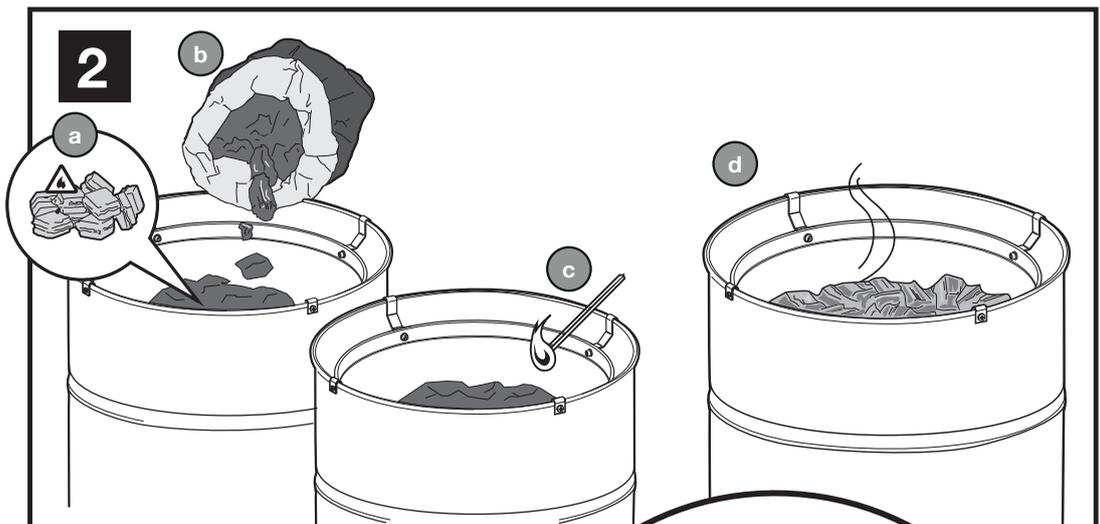
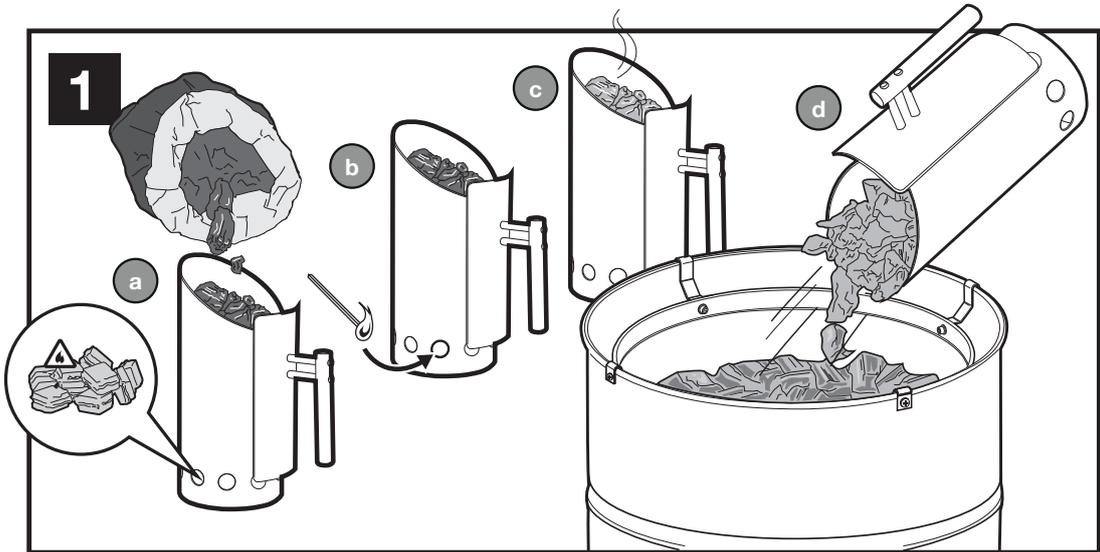


2

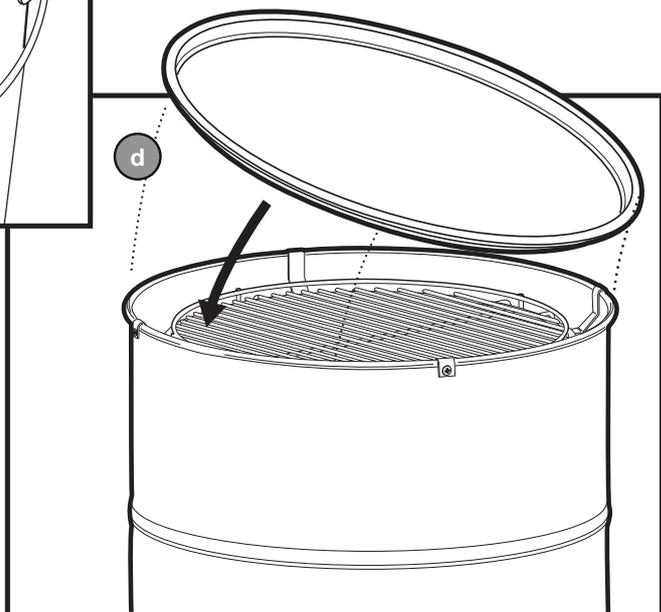
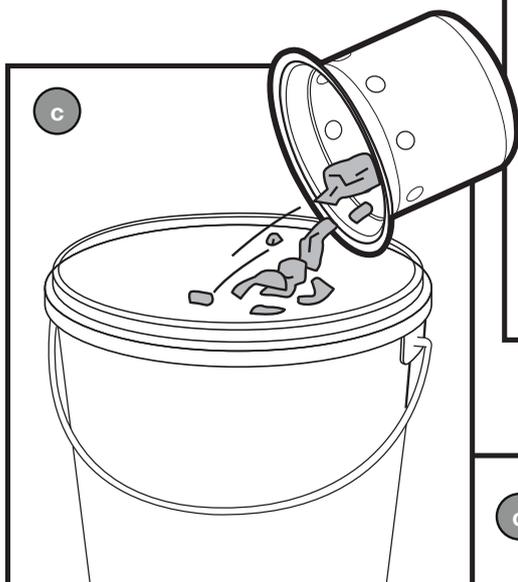
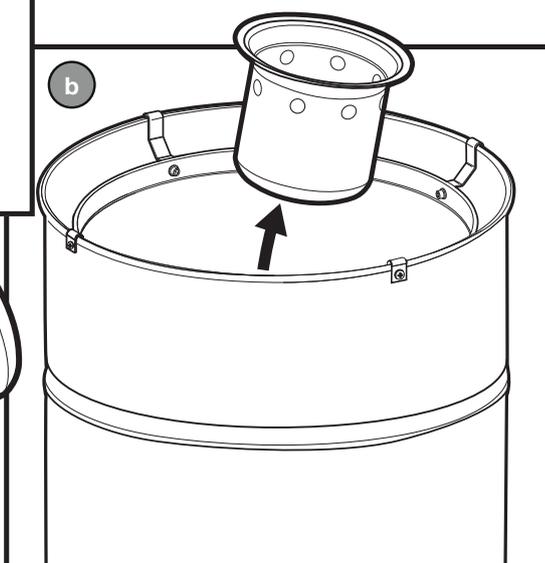
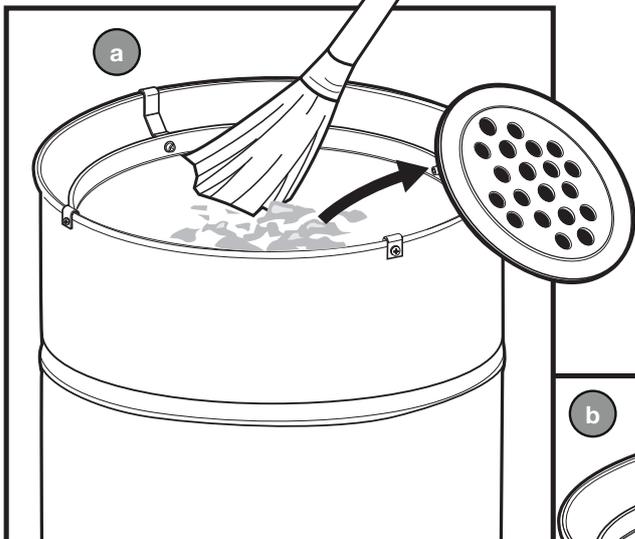


3

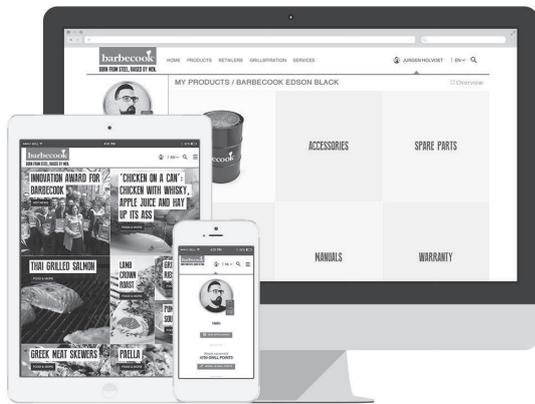




4



barbecue®



www.barbecue.com

Register now and get access to:

- Online Product Manuals
- Personalised Grillspiration
- Product Tips & Tricks
- Barbecue Challenges
- Spare Parts Lists
- ...

BARBECOOK®
is a registered brand
www.barbecue.com
f o d Barbecue
t @barbecue

LivWise
Vaartlaan 9
9800 Deinze - Belgium
info@livwise.be
www.livwise.be