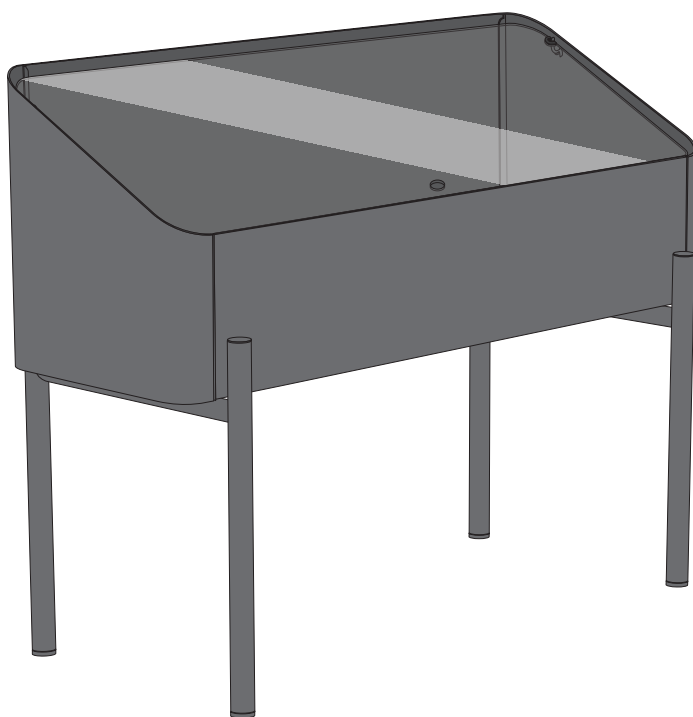


eva solo

EN



Read before use

Simply Grow Spire Planter

Parts

2 x legs

8 x screws

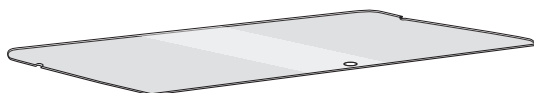
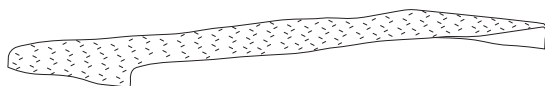
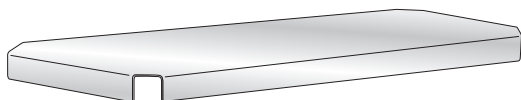
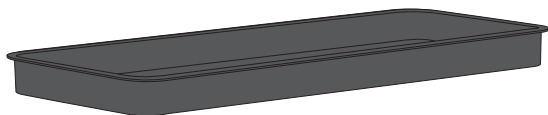
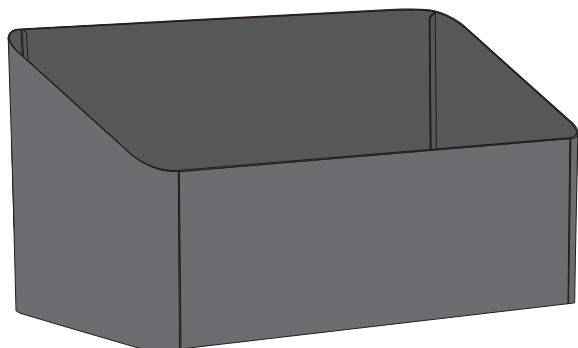
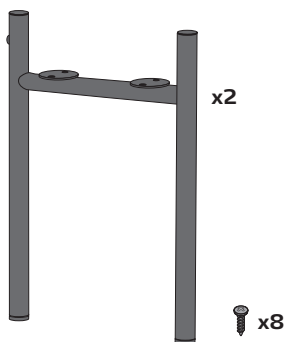
1 x planter box

1 x plastic tray

1 x metal tray

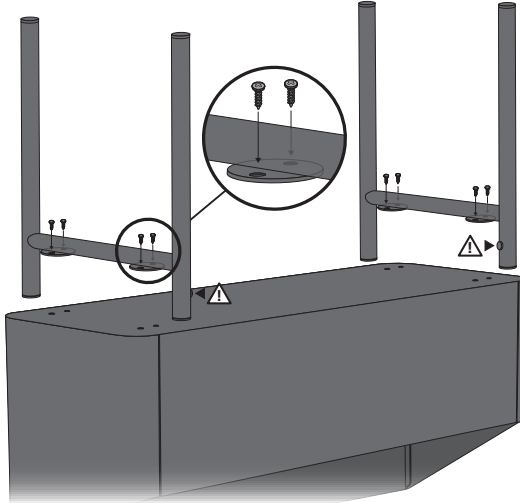
1 x capillary mat

1 x glass

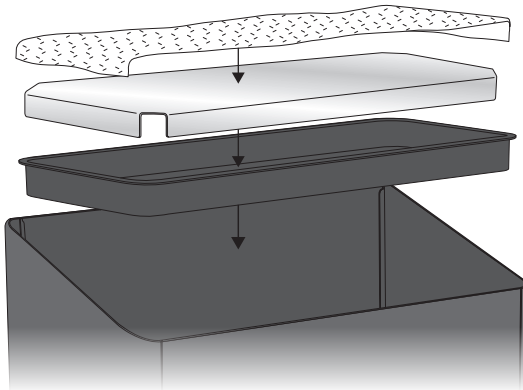


Assembly

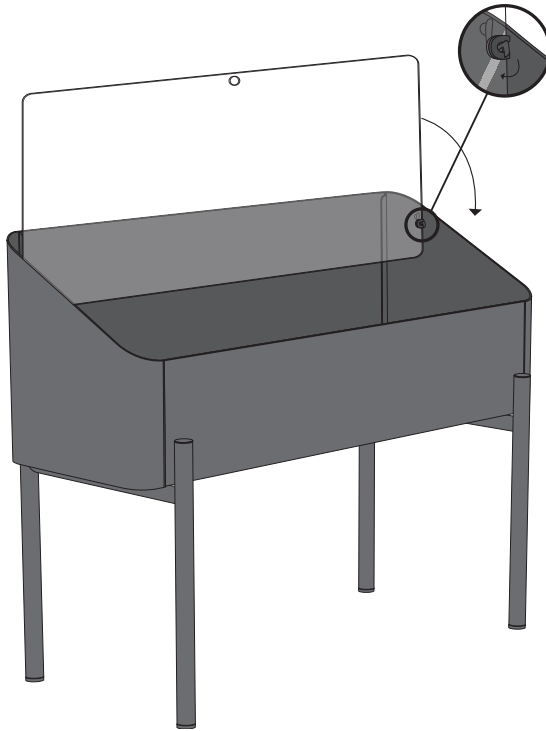
1. Begin by turning the planter box upside down and aligning the legs in the correct position. Secure the legs with the 8 provided screws.



2. Wrap the capillary mat around the metal tray with the top being covered and the sides hanging down. Place the metal tray with capillary mat in the plastic tray and place into the planter box.

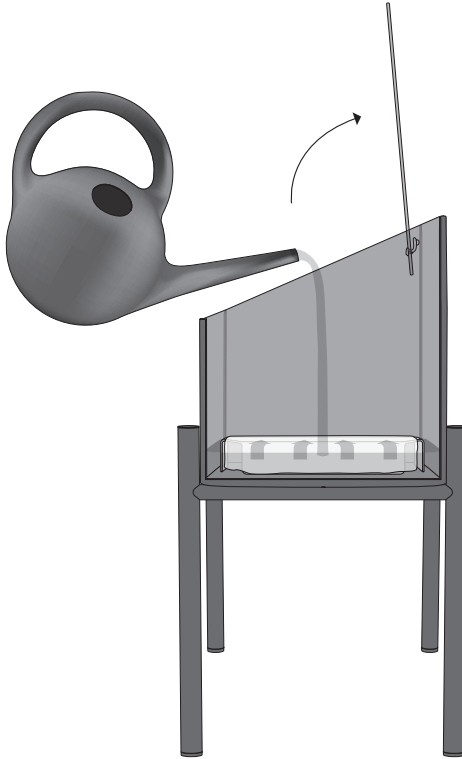


3. To install the glass, carefully guide the C-shaped opening through the S-shaped metal bracket inside the planter. Gently lower the glass from the top until it rests securely on the metal ledge inside. Ensure the glass sits on the metal ledge and not on the edge of the planter box.



Watering

Add water on top of capillary mat. The built-in self-watering system minimises the need for plant maintenance and ensures stable, balanced plant growth while eliminating the risk of over-watering. The plastic tray can hold up to 8 liters of water.

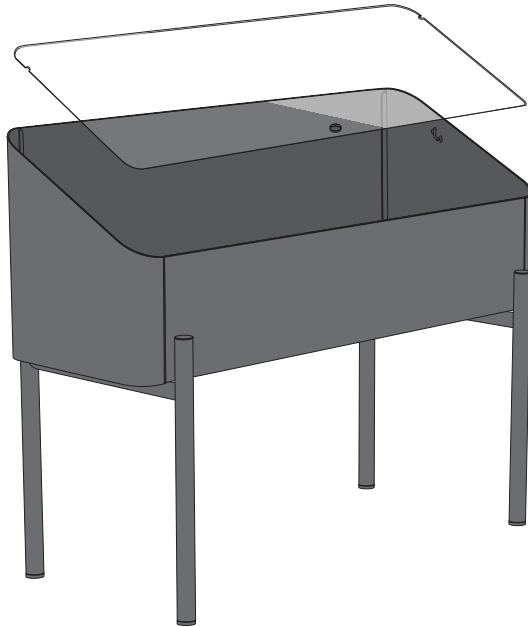


Cleaning and maintenance

Easy-clean with a damp cloth. Avoid using sharp or hard objects on the product, as it will scratch or damage the surface.

Tips & tricks

Use this QR code for additional tips and tricks for use of your Eva Solo Simply Grow Planter.



Warranty

Eva Solo A/S guarantees that its products are free from manufacturing defects. This warranty covers materials and manufacturing defects but does not apply to issues caused by improper use or expected wear and tear.

Complaints

Complaints can be made in accordance with applicable laws. However, the right to file a complaint does not apply in cases where damage is due to misuse, improper handling, normal wear, inadequate maintenance, incorrect repairs, or unauthorized modifications.

Please keep your receipt or invoice, as it will be required when submitting a complaint. For assistance, contact the retailer where the product was purchased. Errors and omissions excepted.

Eva Solo A/S

Måløv Teknikerby 18-20

DK-2760 Måløv

Denmark

Tel.: +45 36 73 20 60

www.evasolo.com

eva solo

www.evasolo.com

